



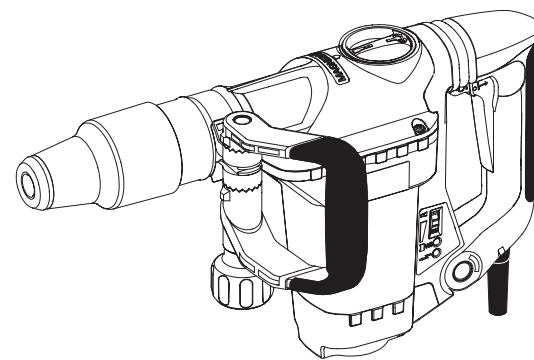
POWER TOOLS



SPARKY

HD PROFESSIONAL

EN	DEMOLITION HAMMER	1 – 8
	Original instructions	
DE	SCHLAGHAMMER	9 – 17
	Originalbetriebsanleitung	
FR	MARTEAU-PIQUEUR	18 – 26
	Notice originale	
IT	MARTELLI DEMOLITORE	27 – 35
	Istruzioni originali	
ES	MARTILLO DEMOLEDOR	36 – 45
	Instrucciones de uso originales	
PT	MARTELO DEMOLIDOR	46 – 54
	Manual original	
PL	MŁOT KUJĄCY	55 – 63
	Oryginalna instrukcja obsługi	
RU	МОЛОТОК ОТБОЙНЫЙ	64 – 73
	Оригинальная инструкция по эксплуатации	
UK	ВІДБІЙНИЙ МОЛОТОК	74 – 82
	Оригінальна інструкція з експлуатації	
BG	УДАРЕН ЧУК	83 – 92
	Оригинална инструкция за използване	



HEAVYDUTY

1300W

K 615CE • K 920CE

EN DECLARATION OF CONFORMITY

We declare under our sole responsibility that the product, described under "Technical specifications", fulfils all the relevant provisions of the following directives and the harmonized standards: 2006/42/EC, 2014/30/EU, 2000/14/EC amended by 2011/65/EU, EN 60745-1, EN 60745-2-6, EN 55014-1, EN 55014-2, EN 61000-3-2, EN 61000-3-3, EN 50581, 2000/14/EC, Conformity assessment procedure according to p.14-1, Annex VI. Notified body: SLG Pruef-und Zertifizierung GmbH, № 0494 Address: Burgstaedter Str 20, 09232 Hartmannsdorf, Germany Measured sound power level K 615CE 97,4 db (A), K 920CE 98,9 db (A) Guaranteed sound power level L<sub>wa</sub> K 615CE 100 db (A), K 920CE 101 db (A) Technical file is stored at SPARKY ELTOS AD, Kubrat Str. 9, 5500 Lovech, Bulgaria.

DE KONFORMITÄTSERKLÄRUNG

Hiermit versichern wir unsere persönliche Haftung, dass Produkt im Abschnitt "Technische Daten" beschrieben" allen einschlägigen Bestimmungen folgender Richtlinien und entsprechender harmonisierter Standards entspricht: 2006/42/EC, 2014/30/EU, 2000/14/EC geändert durch 2011/65/EU, EN 60745-1, EN 60745-2-6, EN 55014-1, EN 55014-2, EN 61000-3-2, EN 61000-3-3, EN 50581. Die Übereinstimmung ist gemäß Art. 14-1 (Anlage VI) der Richtlinie (2000/14/EC), Benannte Stelle: SLG Pruef-und Zertifizierung GmbH, № 0494 Adresse: Burgstaedter Str 20, 09232 Hartmannsdorf, Germany Gemessener Schalleistungspegel K 615CE 97,4 db (A), K 920CE 98,9 db (A) Garantierter Schalleistungspegel L<sub>wa</sub> K 615CE 100 db (A), K 920CE 101 db (A) Die technischen Unterlagen werden bei SPARKY ELTOS AD, Kubrat Str. 9, 5500 Lovech, Bulgarien, aufbewahrt.

FR DECLARATION DE CONFORMITE

Nous déclarons sous notre responsabilité que le produit décrit dans la rubrique "Données techniques" satisfait à l'ensemble des dispositions pertinentes des présentes directives, respectivement aux normes harmonisées: 2006/42/CE, 2014/30/UE, 2000/14/CE modifiée par 2011/65/UE, EN 60745-1, EN 60745-2-6, EN 55014-1, EN 55014-2, EN 61000-3-2, EN 61000-3-3, EN 50581, 2000/14/CE, Procédure d'évaluation de la conformité, conformément à l'annexe VI, art. 14-1. Organe notifié: SLG Pruef-und Zertifizierung GmbH, № 0494 Adresse: Burgstaedter Str 20, 09232 Hartmannsdorf, Germany Niveau mesuré de puissance sonore - K 615CE 97,4 db (A), K 920CE 98,9 db (A) Niveau garanti de puissance sonore L<sub>wa</sub> K 615CE 100 db (A), K 920CE 101 db (A) Le dossier technique est conservé par SPARKY ELTOS AD, 9, rue Kubrat, 5500 Lovech, Bulgarie.

IT DICHIARAZIONE DI CONFORMITÀ

Noi dichiariamo sotto la nostra personale responsabilità, che il prodotto, descritto nella sezione "Dati tecnici" è in conformità a tutte le disposizioni pertinenti della presente direttiva e norme armonizzate: 2006/42/CE, 2014/30/UE, 2000/14/CE modificata con la 2011/65/UE, EN 60745-1, EN 60745-2-6, EN 55014-1, EN 55014-2, EN 61000-3-2, EN 61000-3-3, EN 50581. La conformità alla 2000/14/EC è stata valutata secondo il punto 14-1, Allegato VI. Organismo notificato: SLG Pruef-und Zertifizierung GmbH, № 0494 Indirizzo: Burgstaedter Str 20, 09232 Hartmannsdorf, Germany Livello modificato di potenza sonora - K 615CE 97,4 db (A), K 920CE 98,9 db (A) Livello garantito di potenza sonora L<sub>wa</sub> K 615CE 100 db (A), K 920CE 101 db (A) Il fascicolo tecnico viene custodito presso la SPARKY ELTOS AD, 5500 Lovech, via Kubrat n. 9, Bulgaria.

ES DECLARACIÓN DE CONFORMIDAD

Declaramos bajo nuestra exclusiva responsabilidad que el producto, descrito en los "Datos técnicos", está conforme con todas las disposiciones aplicables de la presente directrices aplicables y las correspondientes normas armonizadas: 2006/42/CE, 2014/30/UE, 2000/14/CE modificada por 2011/65/UE, EN 60745-1, EN 60745-2-6, EN 55014-1, EN 55014-2, EN 61000-3-2, EN 61000-3-3, EN 50581. La conformidad con la Directiva 2000/14/CE ha sido evaluada con arreglo al punto 14-1, Anexo VI. Organismo notificado: SLG Pruef-und Zertifizierung GmbH, № 0494 Dirección: Burgstaedter Str 20, 09232 Hartmannsdorf, Germany Nivel medido de potencia sonora - K 615CE 97,4 db (A), K 920CE 98,9 db (A) Nivel garantizado de potencia sonora L<sub>wa</sub> K 615CE 100 db (A), K 920CE 101 db (A) El expediente técnico se ha guardado en SPARKY ELTOS AD, C/ Kubrat, Nº 9, 5500 Lovech, Bulgaria.

Manufacturer SPARKY Power Tools GmbH Leipziger Str. 20 10117 Berlin, GERMANY

6 March 2017



PT DECLARAÇÃO DE CONFORMIDADE

Declaramos assumindo a nossa responsabilidade pessoal que o produto, descrito en los "Dados técnicos", está conforme com todas as disposições relevantes da presente directrices aplicáveis e respectivos estándares harmonizados: 2006/42/CE, 2014/30/UE, 2000/14/CE alterada pela 2011/65/UE, EN 60745-1, EN 60745-2-6, EN 55014-1, EN 55014-2, EN 61000-3-2, EN 61000-3-3, EN 50581. A conformidade foi determinada nos termos do art.14-1 (Anexo № VI) de 2000/14/EC. Órgão notificado: SLG Pruef-und Zertifizierung GmbH, № 0494 Endereço: Burgstaedter Str 20, 09232 Hartmannsdorf, Germany Nivel determinado de potência sonora - K 615CE 97,4 db (A), K 920CE 98,9 db (A) Nivel garantido de potência sonora L<sub>wa</sub> K 615CE 100 db (A), K 920CE 101 db (A) A documentação técnica guarda-se no SPARKY ELTOS AD, rua Kubrat 9, 5500, Lovech, Bulgária.

PL DEKLARACJA ZGODNOŚCI

Niniejszym deklarujemy naszą osobistą odpowiedzialnością, że produkt, przedstawiony w rozdziale „Dane techniczne”, pełni wszystkie odpowiedzialności postanowienia następujących dyrektyw i harmonizowanych standardów: 2006/42/WE, 2014/30/UE, 2000/14/WE zmieniony przez 2011/65/UE, EN 60745-1, EN 60745-2-6, EN 55014-1, EN 55014-2, EN 61000-3-2, EN 61000-3-3, EN 50581. 2000/14/EC. Procedura oceny zgodności zgodna z p.14-1, Aneks VI. Jednostka notyfikowana: SLG Pruef-und Zertifizierung GmbH, № 0494 Adres: Burgstaedter Str 20, 09232 Hartmannsdorf, Germany Zmierzony poziom mocy akustycznej K 615CE 97,4 db (A), K 920CE 98,9 db (A) Gwarantowany poziom mocy akustycznej L<sub>wa</sub> K 615CE 100 db (A), K 920CE 101 db (A) Tecznica techniczna przechowywana jest w SPARKY ELTOS AD, Kubrat Str.9, 5500 Lovetch, Bulgaria.

RU ДЕКЛАРАЦИЯ О СООТВЕТСТВИИ

Мы заявляем со всей ответственностью, что продукт, описанный в разделе "Технические данные", полностью соответствует всем соответствующим требованиям действующих директив и гармонизированных стандартов: 2006/42/EC, 2014/30/UE, 2000/14/EC изменены на 2011/65/UE, EN 60745-1, EN 60745-2-6, EN 55014-1, EN 55014-2, EN 61000-3-2, EN 61000-3-3, EN 50581. Соответствие с 2000/14/EC оценено согласно п.14-1, Приложению VI. Уполномоченный орган: SLG Pruef-und Zertifizierung GmbH, № 0494 Адрес: Burgstaedter Str 20, 09232 Hartmannsdorf, Germany Измеренный уровень звуковой мощности - K 615CE 97,4 db (A), K 920CE 98,9 db (A) Гарантированный уровень звуковой мощности L<sub>wa</sub> K 615CE 100 db (A), K 920CE 101 db (A) Техническое досье хранится в СПАРКИ ЕЛТОС АД, ул. Кубрат №9, 5500 Ловеч, Болгария.

UK ДЕКЛАРАЦІЯ ПРО ВІДПОВІДНІСТЬ

Ми заявляємо під свою власну відповідальність, що продукт, описаний у розділі "Технічні дані" відповідає всім діючим вимогам директив і гармонізованих стандартів: 2006/42/EC, 2014/30/UE, 2000/14/EC, змінено на 2011/65/UE, EN 60745-1, EN 60745-2-6, EN 55014-1, EN 55014-2, EN 61000-3-2, EN 61000-3-3, EN 50581. Відповідність 2000/14/EC визначено згідно з п. 14-1, Додаток VI. Уповноважений орган: SLG Pruef-und Zertifizierung GmbH, № 0494 Адреса: Burgstaedter Str 20, 09232 Hartmannsdorf, Germany Вимірний рівень звукової потужності - K 615CE 97,4 db (A), K 920CE 98,9 db (A) Гарантований рівень звукової потужності L<sub>wa</sub> K 615CE 100 db (A), K 920CE 101 db (A) Технічне досьє зберігається в СПАРКИ ЕЛТОС АД, вул. Кубрат № 9, 5500 Ловеч, Болгарія.

BG ДЕКЛАРАЦИЯ ЗА СЪОТВЕТСТВИЕ

Ние декларираме на своя лична отговорност, че izdelieto, opisano в раздел "Технически данни", отговаря на всички приложими изисквания на следните директиви и хармонизирани стандарти: 2006/42/EC, 2014/30/UE, 2000/14/EC изменена с 2011/65/UE, EN 60745-1, EN 60745-2-6, EN 55014-1, EN 55014-2, EN 61000-3-2, EN 61000-3-3, EN 50581. Съответствието с 2000/14/EC е оценено съгласно т.14-1, Приложение VI. Нотифициран орган: SLG Pruef-und Zertifizierung GmbH, № 0494 Адрес: Burgstaedter Str 20, 09232 Hartmannsdorf, Germany Измерено ниво на звукова мощност - K 615CE 97,4 db (A), K 920CE 98,9 db (A) Гарантирано ниво на звукова мощност L<sub>wa</sub> K 615CE 100 db (A), K 920CE 101 db (A) Техническото досье се съхранява в СПАРКИ ЕЛТОС АД, ул. Кубрат №9, 5500 Ловеч, България.

Signature of authorized person

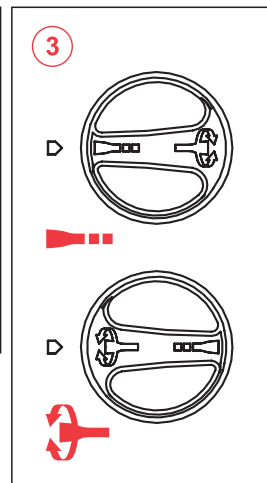
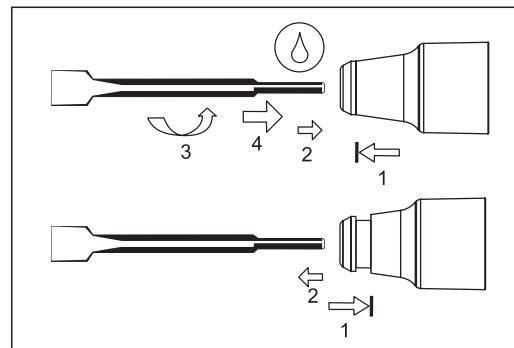
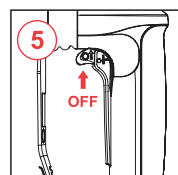
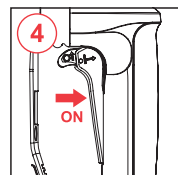
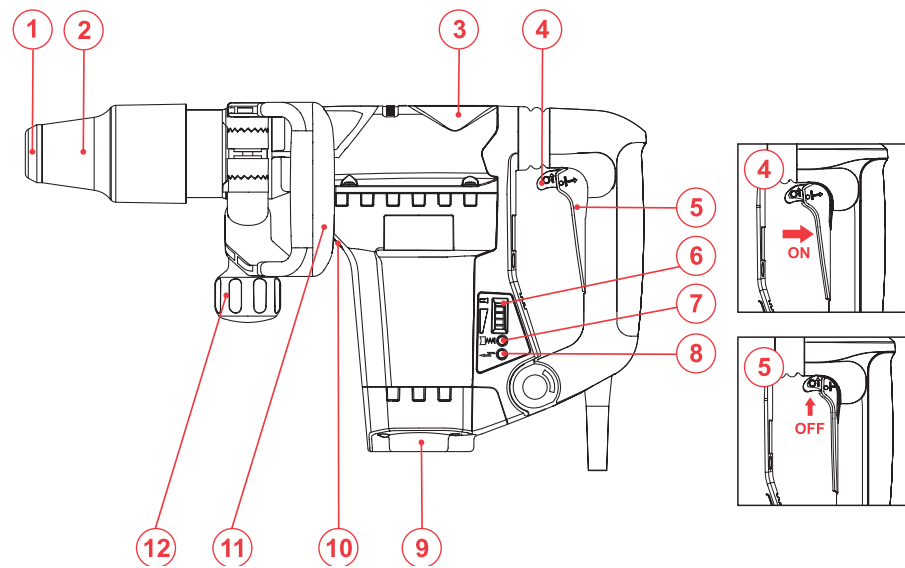
A. Ivanov Technical director of SPARKY ELTOS AD

www.sparky.eu

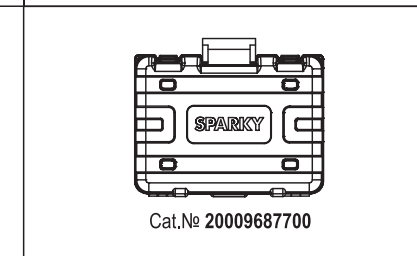
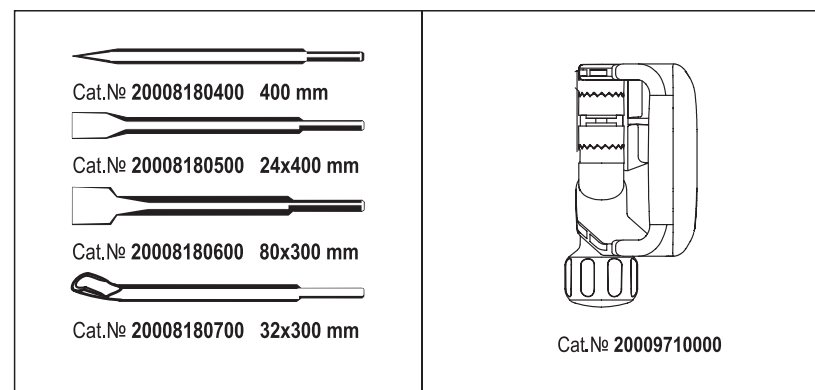
146265V4

1704R01

© 2017 SPARKY



A



B

# Contents

Introduction .....	1
Technical specifications .....	3
General power tool safety warnings .....	4
Demolition hammer safety warnings .....	5
Know your product .....	A/5
Operation .....	B/6
Maintenance .....	7
Warranty .....	8

## UNPACKING

Due to modern mass production techniques, it is unlikely that your power tool is faulty or that a part is missing. If you find anything wrong, do not operate the tool until the parts have been replaced or the fault has been rectified. Failure to do so could result in serious personal injury.

## ASSEMBLY

This SPARKY demolition hammer is packed fully assembled.

## Introduction

---

Your new SPARKY power tool will more than satisfy your expectations. It has been manufactured under stringent SPARKY Quality Standards to meet superior performance criteria. You will find your new tool easy and safe to operate, and, with proper care, it will give you many years of dependable service.

### WARNING:



Carefully read through these Original Instructions before using your new SPARKY power tool. Take special care to heed the Warnings. Your SPARKY power tool has many features that will make your job faster and easier. Safety, performance, and dependability have been given top priority in the development of this tool, making it easy to maintain and operate.



### **Do not dispose of electric tools together with household waste!**

Waste electrical products should not be disposed of with household waste. Please recycle where facilities exist. Check with your local authority or retailer for recycling advice.

## ENVIRONMENTAL PROTECTION



The machine, accessories and packaging should be sorted for environmental-friendly recycling.

The plastic components are labelled for categorised recycling.

## DESCRIPTION OF SYMBOLS

The rating plate on your power tool may show symbols. These represent important information about the product or instructions on its use.



Double insulated for additional protection.



Guaranteed sound power level  $L_{WA}$  according Directive 2000/14/EC.



Conforms to the relevant European Directives.



Conforms to the requirements of Customs Union regulations.



Conforms to the requirements of Ukrainian standards



Refer to Original Instructions.

YYYY-Www      Production period, where the variable symbols are:  
YYYY- year of manufacture,  
ww - calendar week number.

K                      Demolition hammer.

# Technical specifications

Model	K 615CE	K 920CE
Power input	1300W	1400W
No load impact rate (ipm)	1900-3000 min <sup>-1</sup>	1000-2350 min <sup>-1</sup>
Electronic impact rate pre-selection	yes	yes
Impact energy (EPTA Procedure 05/2009)	9 J	13,5 J
Chisel positions	12	12
Socket	SDS-max	SDS-max
Weight (EPTA Procedure 01/2014)	6.6 kg	8.1 kg
Safety class (EN 60745-1) 	II	II

## NOISE AND VIBRATION INFORMATION

Measured values determined according to EN 60745.

### Noise emission

A-weighted sound pressure level $L_{pA}$	95.0 dB (A)	97.5 dB(A)
Uncertainty $K_{pA}$	3.0 dB (A)	3.0 dB (A)
A-weighted sound power level $L_{wA}$	106.0 dB (A)	108.5 dB (A)
Uncertainty $K_{wA}$	3.0 dB (A)	3.0 dB (A)

### Wear hearing protection!

### Vibration emission \*

Total vibration values (vector sum in the three axes) determined according to EN 60745:

Chiselling		
Vibration emission value $a_{h,CHeg}$	12.7 m/s <sup>2</sup>	16.6 m/s <sup>2</sup>
Uncertainty $K_{CHeg}$	1.5 m/s <sup>2</sup>	1.5 m/s <sup>2</sup>

\* The vibration emission values are determined according to 6.2.7 EN 60745.

The vibration emission level given in this information sheet has been measured in accordance with a standardised test given in EN 60745 and may be used to compare one tool with another. It may be used for a preliminary assessment of exposure.

The declared vibration emission level represents the main applications of the tool. However if the tool is used for different applications, with different accessories or poorly maintained, the vibration emission may differ. This may significantly increase the exposure level over the total working period.

An estimation of the level of exposure to vibration should also take into account the times when the tool is switched off or when it is running but not actually doing the job. This may significantly reduce the exposure level over the total working period.

Maintain the power tool and the accessories and keep your hands warm during operation to reduce the harmful effect of vibrations.

Dust from material such as paint containing lead, some wood species, minerals and metal may be harmful. Contact with or inhalation of the dust may cause allergic reactions and/or respiratory diseases to the operator or bystanders.

Certain kinds of dust are classified as carcinogenic such as oak and beech dust especially in conjunction with additives for wood conditioning (chromate, wood preservative). Material containing asbestos must only be treated by specialists.

- Where the use of a dust extraction device is possible it shall be used.
- To achieve a high level of dust collection, use vacuum cleaner for wood or for wood and/or minerals together with this tool.
- The work place must be well ventilated.
- The use of a dust mask of filter class P2 is recommended.

Follow national requirements for the materials you want to work with.

# General power tool safety warnings



**WARNING!** Read all safety warnings and all instructions. Failure to follow the warnings and instructions may result in electric shock, fire and/or serious injury.

Save all warnings and instructions for future reference.

The term "power tool" in the warnings refers to your mains-operated (corded) power tool or battery-operated (cordless) power tool.

## 1) Work area safety

- Keep work area clean and well lit. Cluttered or dark areas invite accidents.
- Do not operate power tools in explosive atmospheres, such as in the presence of flammable liquids, gases or dust. Power tools create sparks which may ignite the dust or fumes.
- Keep children and bystanders away while operating a power tool. Distractions can cause you to lose control.

## 2) Electrical safety

- Power tool plugs must match the outlet. Never modify the plug in any way. Do not use any adapter plugs with earthed (grounded) power tools. Unmodified plugs and matching outlets will reduce risk of electric shock.
- Avoid body contact with earthed or grounded surfaces, such as pipes, radiators, ranges and refrigerators. There is an increased risk of electric shock if your body is earthed or grounded.
- Do not expose power tools to rain or wet conditions. Water entering a power tool will increase the risk of electric shock.
- Do not abuse the cord. Never use the cord for carrying, pulling or unplugging the power tool. Keep cord away from heat, oil, sharp edges or moving parts. Damaged or entangled cords increase the risk of electric shock.
- When operating a power tool outdoors, use an extension cord suitable for outdoor use. Use of a cord suitable for outdoor use reduces the risk of electric shock.
- If operating a power tool in a damp location is unavoidable, use a residual current device (RCD) protected supply. Use of an

RCD reduces the risk of electric shock.

## 3) Personal safety

- Stay alert, watch what you are doing and use common sense when operating a power tool. Do not use a power tool while you are tired or under the influence of drugs, alcohol or medication. A moment of inattention while operating power tools may result in serious personal injury.
  - Use personal protective equipment. Always wear eye protection. Protective equipment such as dust mask, non-skid safety shoes, hard hat, or hearing protection used for appropriate conditions will reduce personal injuries.
  - Prevent unintentional starting. Ensure the switch is in the off-position before connecting to power source and/or battery pack, picking up or carrying the tool. Carrying power tools with your finger on the switch or energising power tools that have the switch on invites accidents.
  - Remove any adjusting key or wrench before turning the power tool on. A wrench or a key left attached to a rotating part of the power tool may result in personal injury.
  - Do not overreach. Keep proper footing and balance at all times. This enables better control of the power tool in unexpected situations.
  - Dress properly. Do not wear loose clothing or jewellery. Keep your hair, clothing and gloves away from moving parts. Loose clothes, jewellery or long hair can be caught in moving parts.
  - If devices are provided for the connection of dust extraction and collection facilities, ensure these are connected and properly used. Use of dust collection can reduce dust-related hazards.
- ## 4) Power tool use and care
- Do not force the power tool. Use the correct power tool for your application. The correct power tool will do the job better and safer at the rate for which it was designed.
  - Do not use the power tool if the switch does not turn it on and off. Any power tool that cannot be controlled with the switch is dangerous and must be repaired.
  - Disconnect the plug from the power source and/or the battery pack from the power tool before making any adjustments, changing accessories, or storing power tools. Such preventive safety measures reduce the risk of starting the

power tool accidentally.

- d) **Store idle power tools out of the reach of children and do not allow persons unfamiliar with the power tool or these instructions to operate the power tool.** *Power tools are dangerous in the hands of untrained users.*
- e) **Maintain power tools. Check for misalignment or binding of moving parts, breakage of parts and any other condition that may affect the power tool's operation. If damaged, have the power tool repaired before use.** *Many accidents are caused by poorly maintained power tools.*
- f) **Keep cutting tools sharp and clean.** *Properly maintained cutting tools with sharp cutting edges are less likely to bind and are easier to control.*
- g) **Use the power tool, accessories and tool bits etc. in accordance with these instructions, taking into account the working conditions and the work to be performed.** *Use of the power tool for operations different from those intended could result in a hazardous situation.*

#### 5) Service

- a) **Have your power tool serviced by a qualified repair person using only identical replacement parts.** *This will ensure that the safety of the power tool is maintained.*

## Demolition hammer safety warnings

The small chip and particles separated while operating the power tool, as well touching its moving parts and loss of control could cause severe physical injuries, and noise loading from continuous operation could damage the operator's hearing if the Safety Instructions and the below-mentioned rules are not observed.



**Wear ear protectors with demolition hammers.** *Exposure to noise can cause hearing loss.*

- **Use the auxiliary handle supplied with the machine.** *Loss of control can cause personal injury.*



**During operation provide eye protection to prevent eyes from exposure to flying particles.** *Wear goggles.*



**Take protective measures against inhalation of dust.** *Some materials can contain toxic ingredients. Wear a dust mask and work with dust/chip extraction.*

- **Hold the power tool by insulated gripping surfaces only, when performing an operation where the cutting accessory may contact hidden wiring or its own cord.** *Cutting accessory contacting a "live" wire may make exposed metal parts of the power tool "live" and could give the operator an electric shock.*
- Do not process materials containing asbestos. Asbestos is considered carcinogenic.
- While operating the machine, always hold it firmly with both hands and provide for a secure stance. The power tool is guided more secure with both hands.
- Unplug the machine prior to any adjustment, maintenance or repair and in case of mains drop-out.
- Always keep the cord away from the working area of the power tool.
- Never operate the machine with damaged cord and plug. If the replacement of the supply cord is necessary, this has to be done by the manufacturer or his agent in order to avoid a safety hazard.
- Prior to operation use suitable detectors to determine if utility lines are hidden in the work area or call the local utility company for assistance. Contact with electric lines can lead to fire and electric shock. Damaging a gas line can lead to explosion. Penetrating a water line causes property damage or may cause electric shock.
- The power tool must not be used outdoors in rainy weather, or in moist environment (after rain) or in close vicinity with easily flammable liquids and gases. The working place should be well lit.

## Know your product

Before using the power tool, familiarize yourself with all the operating features and safety requirements.

Use the tool and accessories only for the applications intended. All other applications are expressly ruled out.

1. Protective ring
2. Locking socket
3. Selector switch



4. OFF button
5. Switch trigger
6. Regulator of rotation frequency
7. Indicator for brush wear-out and overload
8. Mode indicator
9. Ventilation slots
10. Ventilation slots
11. Tightening nut
12. Auxiliary handle

## Operation

This power tool is supplied from single-phase alternating current mains only. It is double insulated according to EN 60745-1, IEC 60745 and can be connected to grounded or not grounded sockets. This power tool is radio suppressed in compliance with EMC Directive.

This power tool is designed for chiselling in brick-work, concrete and rocks with high efficiency.



This power tool is equipped with a mechanism for reducing vibrations, decreasing them by more than 50%.

### PRIOR TO INITIAL OPERATION

- Make sure the power supply voltage corresponds to the value indicated on the name plate with technical data of the tool.
- Always check the position of ON/OFF switch. The power tool must be connected to the power supply socket only when this switch is in OFF position. If the plug is connected to a receptacle while the power switch is in the ON position, the power tool will start operating immediately, which could cause a serious accident.
- Make sure that the cord and the plug are in order. If the replacement of the supply cord is necessary, this has to be done by the manufacturer or his agent in order to avoid a safety hazard.



**WARNING:** Always switch off and unplug the power tool prior to any adjustment, servicing or maintenance.

- In case the work area is remote from the power source, use as short as practicable extension cord with proper cross-section.
- Check that the auxiliary handle is properly mounted and reliably tightened.

### INSERTING OF SDS-MAX TOOL

Clean and grease the shank of the accessory, before placing it into the socket!

Keep the locking socket 2 in upper (front) position while inserting the tool.

Place the tool into the spindle without effort.

Rotate the tool until the grooves coincide.

After the grooves have coincided, push the tool down (until the fixing mechanism produces an audible “click”). Check the proper fixing of the tool by pulling it strongly outwards.

### REMOVING THE SDS-MAX TOOL

Pull the locking clutch entirely back and take the tool out.

### CHANGING THE CHISEL POSITION

- Insert the tool in the socket as it is described in point “Inserting the SDS-max tool”.
- Turn the switch 3 in position “Changing the chisel position”.
- Turn the tool by hand to the desired position.
- Turn the switch 3 in position “hammer”, and then turn the tool slightly by hand left wise and right wise until it is locked.

Longer operation life of the power tool and higher efficiency can be achieved only with well-sharpened tools for demolition and chiselling.

### SWITCHING ON - SWITCHING OFF

- Switching on: Press the switch trigger (5) in the indicated direction.
- Switching off: Press the OFF button in the indicated direction.



**WARNING:** At low temperature  $\leq 0^{\circ}\text{C}$  ( $32^{\circ}\text{F}$ ) or if the power tool has not been used for a long period (after storage in warehouse / shop / house) there might be no impact action at start because of the thickened lubricant. In this case, let the power tool run for 1.5 minutes at no load in order to warm up, thus achieving improved lubrication and prolonged life of the power tool.



## SELECTING THE FREQUENCY AND IMPACT ENERGY

Rotate the regulator 6 to choose a position appropriate for the processed material. The constant electronics maintain the frequency and the impact energy constant, independently of the load, thus ensuring steady operation mode. It is recommended to use the operation modes listed in the table.

Application	Regulator position	Impact rate
Render / Light construction materials	A-B	1900-2085 min <sup>-1</sup>
Bricks / Chiselling tiles	C-D	2265-2450 min <sup>-1</sup>
Chiselling concrete	E-G	2630-3000 min <sup>-1</sup>

Rotate the regulator 6 from position A to position F to increase the frequency and the impact energy. The indicator 8 shall blink with green light. With the regulator 6 in position G the indicator 8 shall glow with constant green light. This mode is specified by increased impact energy up to 9 J.

## AUXILIARY HANDLE

Always use the auxiliary handle.

In order to change the position of the auxiliary handle, loosen the tightening nut 11. Turn the handle in the most convenient for operation position, and then tighten it well.

Do not carry the machine by a loose auxiliary handle.

## RECOMMENDATIONS FOR OPERATION

Apply moderate pressure during operation (approximately 100-150 N)! Higher pressure will not increase efficiency, but it will lead to decreasing the operation life of the machine.

Watch out for the stage of chisel blunting and replace it when considerable decrease of efficiency is observed.

## Maintenance



**WARNING:** Always ensure that the tool is switched off and unplugged before attempting to perform inspection or maintenance.

## GENERAL INSPECTION

Regularly inspect all fasteners and ensure they are properly tightened. Should any of the screws be loose, retighten it immediately to avoid hazards.

If the replacement of the supply cord is necessary, this has to be done by the manufacturer or his agent in order to avoid a safety hazard.

## CLEANING

For safe operation always keep the machine and its ventilation slots clean.

Regularly check to see if any dust or foreign matter has entered the ventilation slots and the grills around the switches. Use a soft brush and/or air jet to remove any accumulated dust. Wear safety glasses to protect your eyes whilst cleaning.

Exterior plastic parts may be cleaned with a damp cloth and mild detergent if necessary.



**WARNING:** Never use alcohol, petrol or other cleaning agent. Never use caustic agents to clean plastic parts.



**WARNING:** Water must never come into contact with the tool.

**IMPORTANT!** To assure product safety and reliability, repairs, maintenance and adjustment (including brush inspection and replacement)

should be performed by certified service centres or other qualified service organisations, always using genuine replacement parts.

### **BUILT-IN DUST PROTECTION**

---

The protective ring 1 preserves the tool socket from dirt during operation. While inserting the tool, take care that you do not damage the protective ring.



**WARNING:** Replace a damaged protective ring immediately!

To replace the protective ring 1, pull back the locking socket 2. Grasp the protective ring and pull it strongly slantwise forward. Place a new protective ring onto the spindle and press it hard.

### **INDICATION “SERVICE MAINTENANCE”**

---

When the red light-emitting diode begins to blink while the machine operates normally, replacement of the brushes is needed. After approximately 8h operation, the brushes are worn out completely and the safety switch actuates. The machine halts and the red light-emitting diode keeps blinking. Deliver the machine to an authorised service for replacement of brushes and preventive maintenance.

If the machine does not operate before the warning period of 8 hours is over, and the red light-emitting diode blinks, that probably means the motor is damaged. In case there is no light indication and the machine does not operate, that means there is no power supply to the machine or that the automatic switch or the cord are faulty.

### **PREVENTIVE MAINTENANCE**

---

This power tool shall be submitted periodically to SPARKY authorised service centre for preventive maintenance. Preventive checks will boost the life of your power tool.

*First check* - after approximately 70 h operation.

The functioning of the machine shall be evaluated and if necessary the machine shall be checked.

*Second check* - after approximately 140 h operation or upon the event of brushes wearing out.

The machine shall be cleaned thoroughly and checked. Ascertained or potential faults shall be eliminated (brushes and O-ring sealings shall be replaced).

*Third check* - after approximately 250 h operation or upon the event of brushes wearing out. The machine shall be cleaned thoroughly and checked. Ascertained or potential faults shall be eliminated (brushes and O-ring sealings shall be replaced).

*Fourth check* - after approximately 350 h operation or upon the event of brushes wearing out.

The machine shall be cleaned thoroughly and checked. Ascertained or potential faults shall be eliminated (brushes and O-ring sealing shall be replaced).

## **Warranty**

---

The guarantee period for SPARKY power tools is determined in the guarantee card.

Faults due to normal wear, overloading or improper handling will be excluded from the guarantee.

Faults due to defective materials implemented as well as defects in workmanship will be corrected free of charge through replacement or repair.

The complaints for defective SPARKY power tools will be recognized if the machine is sent back to the dealer or is presented to the authorised warranty service centre undismantled, in its initial condition.

## **Notes**

---

Carefully read the entire Instruction Manual before using this product.

The manufacturer reserves the right to make changes and improvements to the products and to alter specifications without prior notice.

Specifications may differ from country to country.

# Inhalt

Einführung .....	9
Technische Daten .....	11
Allgemeine Sicherheitshinweise für Elektrowerkzeuge.....	12
Zusätzliche Sicherheitshinweise für Arbeiten mit Schlaghammern.....	13
Elemente des Elektrowerkzeuges.....	A/14
Betriebshinweise.....	B/14
Wartung .....	16
Garantie .....	17

## AUSPACKEN

Überprüfen Sie unmittelbar nach dem Auspacken ob sämtliche Bestandteile und das beschriebene Zubehör mitgeliefert wurden. Sollte dies nicht der Fall sein, wenden Sie sich bitte umgehend an Ihren Fachhändler bei dem das Elektrowerkzeug gekauft wurde. Dies trifft auch dann zu, wenn Sie den Eindruck haben mit dem Gerät ist etwas nicht in Ordnung. Eine Nichtbeachtung dieser Empfehlung kann zu schweren Unfällen führen.

## ZUSAMMENBAU

Der Aufbruchhämmer wird in Verpackung und völlig zusammengebaut geliefert.

## Einführung

---

Das von Ihnen erworbene Elektrowerkzeug wird Ihre Erwartungen übersteigen. Es ist gemäß den hohen Qualitätsstandards von SPARKY hergestellt, die den strengen Anforderungen des Verbrauchers entsprechen. Einfach in der Bedienung und ungefährlich bei richtiger Handhabung, wird dieses Gerät bei bestimmungsgemäßem Gebrauch Ihnen lange Jahre zuverlässig dienen.

### WARNUNG!



Lesen Sie die ganze Originalbetriebsanleitung aufmerksam durch, bevor Sie das neu erworbene SPARKY - Elektrowerkzeug in Betrieb nehmen. Beachten Sie besonders die Texte, die mit den Wörtern „Warnung“ beginnen. Ihr SPARKY - Elektrowerkzeug besitzt viele Eigenschaften, die Ihre Arbeit erleichtern werden. Bei der Entwicklung dieses Elektrowerkzeuges ist höchste Aufmerksamkeit der Sicherheit, den Betriebseigenschaften und der Zuverlässigkeit gewidmet worden, die es einfach zur Wartung und Bedienung machen.



### Keine elektrischen Geräte zusammen mit dem Hausmüll wegwerfen!

Die Abfälle von elektrischen Erzeugnissen sollen nicht zusammen mit dem Hausmüll gesammelt werden. Für eine umweltgerechte Entsorgung geben Sie Ihren alten / defekten Elektrogeräte bitte in der nächsten kommunalen Sammelstelle ab.

### UMWELTSCHUTZ



Angesichts des Umweltschutzes sollen das Elektrowerkzeug, die Zubehörteile und die Verpackung einer geeigneten Wiederverwertung zugeführt werden. Zum sortenreinen Recycling sind die Teile, hergestellt aus Kunststoffen, entsprechend gekennzeichnet.

## BEDEUTUNG DER SYMBOLE

Auf dem Typenschild des Elektrowerkzeuges sind spezielle Symbole dargestellt. Sie stellen wichtige Information über das Produkt oder Instruktionen für seine Nutzung dar.



Doppelte Isolierung für zusätzlichen Schutz.



Garantierter Schalleistungspegel  $L_{WA}$  entspricht den Anforderungen der Richtlinie 2000/14/EC.



Entspricht den einschlägigen Europäischen Richtlinien.



Entspricht den Anforderungen der Zollunion-Regelungen.



Entspricht den Anforderungen der ukrainischen normativen Dokumente.




Lesen Sie die Originalbetriebsanleitung.

YYYY-Www Zeitabschnitt der Produktion, wobei die variablen Symbole sind:  
YYYY - Kalenderjahr der Produktion,  
ww - laufende Kalenderwoche.

K Schlaghammer.

# Technische Daten

Modell	K 615CE	K 920CE
Nennaufnahme	1300W	1400W
Schlagzahl im Leerlauf	1900-3000 min <sup>-1</sup>	1000-2350 min <sup>-1</sup>
Elektronische Regelung der Schlagfrequenz	ja	ja
Energie eines Einzelsschlags (EPTA Prozedur 05/2009)	9 J	13,5 J
Positionen des Meissels	12	12
System für die Befestigung des Werkzeuges	SDS-max	SDS-max
Gewicht (EPTA Verfahren 01/2014)	6.6 kg	8.1 kg
Schutzklasse (EN 60745-1) 	II	II
<b>GERÄUSCH- / VIBRATIONSINFORMATION</b>		
Messwerte ermittelt entsprechend EN 60745.		
<b>Geräuschemissionswerte</b>		
Der A-bewertete Schalldruckpegel L <sub>PA</sub>	95.0 dB (A)	97.5 dB (A)
Unsicherheit K <sub>PA</sub>	3.0 dB (A)	3.0 dB (A)
Der A-bewertete Schalleistungspegel L <sub>WA</sub>	106.0 dB (A)	108.5 dB (A)
Unsicherheit K <sub>WA</sub>	3.0 dB (A)	3.0 dB (A)
<b>Gehörschutz tragen!</b>		
<b>Schwingungsemissionswerte *</b>		
Schwingungsgesamtwerte (Vektorsumme dreier Richtungen) ermittelt entsprechend EN 60745:		
Meißeln		
Schwingungsemissionswert a <sub>h,CHeg</sub>	12.7 m/s <sup>2</sup>	16.6 m/s <sup>2</sup>
Unsicherheit K <sub>CHeg</sub>	1.5 m/s <sup>2</sup>	1.5 m/s <sup>2</sup>
* Vibrationsmesswerte ermittelt nach P. 6.2.7 EN 60745.		

Der in diesen Anweisungen angegebene Schwingungspegel ist entsprechend einem in EN 60745 genormten Messverfahren gemessen worden und kann für den Vergleich von Elektrowerkzeugen miteinander verwendet werden. Er eignet sich auch für eine vorläufige Einschätzung der Schwingungsbelastung.

Der angegebene Schwingungspegel repräsentiert die hauptsächlichen Anwendungen des Elektrowerkzeugs. Wenn allerdings das Elektrowerkzeug für andere Anwendungen, mit abweichenden Einsatzwerkzeugen oder ungenügender Wartung eingesetzt wird, kann der Schwingungspegel abweichen. Dies kann die Schwingungsbelastung über den gesamten Arbeitszeitraum deutlich erhöhen.

Für eine genaue Abschätzung der Schwingungsbelastung sollten auch die Zeiten berücksichtigt werden, in denen das Gerät abgeschaltet ist oder zwar läuft, aber nicht tatsächlich im Einsatz ist. Dies kann die Schwingungsbelastung über den gesamten Arbeitszeitraum deutlich reduzieren.

Pflegen Sie das Gerät und die Einsatzwerkzeuge mit Sorgfalt. Halten Sie Ihre Hände warm während der Arbeit – dies wird die schädliche Einwirkung erhöhter Schwingungen reduzieren.

Stäube von Materialien wie bleihaltigem Anstrich, einigen Holzarten, Mineralien und Metall können gesundheitsschädlich sein. Berühren oder Einatmen der Stäube können allergische Reaktionen und/oder Atemwegserkrankungen des Benutzers oder in der Nähe befindlicher Personen hervorrufen.

Bestimmte Stäube wie Eichen- oder Buchenstaub gelten als krebserzeugend, besonders in Verbindung mit Zusatzstoffen zur Holzbehandlung (Chromat, Holzschutzmittel). Asbesthaltiges Material darf nur von Fachleuten bearbeitet werden.

- Benutzen Sie möglichst eine Staubabsaugung.
- Um bei der Arbeit mit diesem Elektrowerkzeug ein gutes Staubabfangen zu gewährleisten, benutzen Sie einen Staubabsauger, der für Holzstaub oder für Holz- und mineralischen Staub bestimmt ist.
- Sorgen Sie für gute Belüftung des Arbeitsplatzes.
- Es wird empfohlen, eine Atemschutzmaske mit Filterklasse P2 zu tragen.

Beachten Sie in Ihrem Land gültige Vorschriften für die zu bearbeitenden Materialien.

# Allgemeine Sicherheitshinweise für Elektrowerkzeuge



**WARNUNG:** Lesen Sie alle Sicherheitshinweise und Anweisungen. Versäumnisse bei der Einhaltung der Sicherheitshinweise und Anweisungen können elektrischen Schlag, Brand und/oder schwere Verletzungen verursachen.

**Bewahren Sie alle Sicherheitshinweise und Anweisungen für die Zukunft auf.**

Der in den Sicherheitshinweisen verwendete Begriff „Elektrowerkzeug“ bezieht sich auf netzbetriebene Elektrowerkzeuge (mit Netzkabel) und auf akkubetriebene Elektrowerkzeuge (ohne Netzkabel).

## 1) Arbeitsplatzsicherheit

- Halten Sie Ihren Arbeitsbereich sauber und gut beleuchtet.** Unordnung oder unbeleuchtete Arbeitsbereiche können zu Unfällen führen.
- Arbeiten Sie mit dem Elektrowerkzeug nicht in explosionsgefährdeter Umgebung, in der sich brennbare Flüssigkeiten, Gase oder Stäube befinden.** Elektrowerkzeuge erzeugen Funken, die den Staub oder die Dämpfe entzünden können.
- Halten Sie Kinder und andere Personen während der Benutzung des Elektrowerkzeugs fern.** Bei Ablenkung können Sie die Kontrolle über das Gerät verlieren.

## 2) Elektrische Sicherheit

- Der Anschlussstecker des Elektrowerkzeuges muss in die Steckdose passen.** Der Stecker darf in keiner Weise verändert werden. Verwenden Sie keine Adapterstecker gemeinsam mit Schutzgeerdeten Elektrowerkzeugen. Unveränderte Stecker und passende Steckdosen verringern das Risiko eines elektrischen Schlages.
- Vermeiden Sie Körperkontakt mit geerdeten Oberflächen wie von Rohren, Heizungen, Herden und Kühlschränken.** Es besteht ein erhöhtes Risiko durch elektrischen Schlag, wenn Ihr Körper geerdet ist.
- Halten Sie Elektrowerkzeuge von Regen oder Nässe fern.** Das Eindringen von Wasser in ein Elektrowerkzeug erhöht das Risiko eines elektrischen Schlages.

- Zweckentfremden Sie das Kabel nicht, um das Elektrowerkzeug zu tragen, aufzuhängen oder um den Stecker aus der Steckdose zu ziehen.** Halten Sie das Kabel fern von Hitze, Öl, scharfen Kanten oder sich bewegenden Geräteteilen. Beschädigte oder verwickelte Kabel erhöhen das Risiko eines elektrischen Schlages.
- Wenn Sie mit einem Elektrowerkzeug im Freien arbeiten, verwenden Sie nur Verlängerungskabel, die auch für den Außenbereich geeignet sind.** Die Anwendung eines für den Außenbereich geeigneten Verlängerungskabels verringert das Risiko eines elektrischen Schlages.
- Wenn der Betrieb des Elektrowerkzeuges in feuchter Umgebung nicht vermeidbar ist, verwenden Sie einen Fehlerstromschutzschalter.** Der Einsatz eines Fehlerstromschutzschalters vermindert das Risiko eines elektrischen Schlages.

## 3) Sicherheit von Personen

- Seien Sie aufmerksam, achten Sie darauf, was Sie tun, und gehen Sie mit Vernunft an die Arbeit mit einem Elektrowerkzeug.** Benutzen Sie kein Elektrowerkzeug, wenn Sie müde sind oder unter dem Einfluss von Drogen, Alkohol oder Medikamenten stehen. Ein Moment der Unachtsamkeit beim Gebrauch des Elektrowerkzeuges kann zu ernsthaften Verletzungen führen.
- Tragen Sie persönliche Schutzausrüstung und immer eine Schutzbrille.** Das Tragen persönlicher Schutzausrüstung, wie Staubmaske, rutschfeste Sicherheitsschuhe, Schutzhelm oder Gehörschutz, je nach Art und Einsatz des Elektrowerkzeuges, verringert das Risiko von Verletzungen.
- Vermeiden Sie eine unbeabsichtigte Inbetriebnahme.** Vergewissern Sie sich, dass das Elektrowerkzeug ausgeschaltet ist, bevor Sie es an die Stromversorgung und/oder den Akku anschließen, es aufnehmen oder tragen. Wenn Sie beim Tragen des Elektrowerkzeuges den Finger am Schalter haben oder das Gerät eingeschaltet an die Stromversorgung anschließen, kann dies zu Unfällen führen.
- Entfernen Sie Einstellwerkzeuge oder Schraubenschlüssel, bevor Sie das Elektrowerkzeug einschalten.** Ein Werkzeug oder Schlüssel, der sich in einem drehenden Geräteteil befindet, kann zu Verletzungen führen.

- e) **Vermeiden Sie eine abnormale Körperhaltung.** Sorgen Sie für einen sicheren Stand und halten Sie jederzeit das Gleichgewicht. Dadurch können Sie das Elektrowerkzeug in unerwarteten Situationen besser kontrollieren.
- f) **Tragen Sie geeignete Kleidung.** Tragen Sie keine weite Kleidung oder Schmuck. Halten Sie Haare, Kleidung und Handschuhe fern von sich bewegenden Teilen. Lockere Kleidung, Schmuck oder lange Haare können von sich bewegenden Teilen erfasst werden.
- g) **Wenn Staubabsaug- und -auffangeinrichtungen montiert werden können, vergewissern Sie sich, dass diese angeschlossen sind und richtig verwendet werden.** Verwendung einer Staubabsaugung kann Gefährdungen durch Staub verringern.
- 4) Verwendung und Behandlung des Elektrowerkzeuges**

- a) **Überlasten Sie das Gerät nicht.** Verwenden Sie für Ihre Arbeit das dafür bestimmte Elektrowerkzeug. Mit dem passenden Elektrowerkzeug arbeiten Sie besser und sicherer im angegebenen Leistungsbereich.
- b) **Benutzen Sie kein Elektrowerkzeug, dessen Schalter defekt ist.** Ein Elektrowerkzeug, das sich nicht mehr ein- oder ausschalten lässt, ist gefährlich und muss repariert werden.
- c) **Ziehen Sie den Stecker aus der Steckdose und/oder entfernen Sie den Akku, bevor Sie Geräteeinstellungen vornehmen, Zubehörteile wechseln oder das Gerät weglegen.** Diese Vorsichtsmaßnahme verhindert den unbeabsichtigten Start des Elektrowerkzeuges.
- d) **Bewahren Sie unbenutzte Elektrowerkzeuge außerhalb der Reichweite von Kindern auf.** Lassen Sie Personen das Gerät nicht benutzen, die mit diesem nicht vertraut sind oder diese Anweisungen nicht gelesen haben. Elektrowerkzeuge sind gefährlich, wenn Sie von unerfahrenen Personen benutzt werden.
- e) **Pflegen Sie Elektrowerkzeuge mit Sorgfalt.** Kontrollieren Sie, ob bewegliche Teile einwandfrei funktionieren und nicht klemmen, ob Teile gebrochen oder so beschädigt sind, dass die Funktion des Elektrowerkzeuges beeinträchtigt ist. Lassen Sie beschädigte Teile vor dem Einsatz des Gerätes reparieren. Vie-

le Unfälle haben ihre Ursache in schlecht gewarteten Elektrowerkzeugen.

- f) **Halten Sie Schneidwerkzeuge scharf und sauber.** Sorgfältig gepflegte Schneidwerkzeuge mit scharfen Schneidkanten verklemmen sich weniger und sind leichter zu führen.
- g) **Verwenden Sie Elektrowerkzeug, Zubehör, Einsatzwerkzeuge usw. entsprechend diesen Anweisungen.** Berücksichtigen Sie dabei die Arbeitsbedingungen und die auszuführende Tätigkeit. Der Gebrauch von Elektrowerkzeugen für andere als die vorgesehenen Anwendungen kann zu gefährlichen Situationen führen.
- 5) Service**
- a) **Lassen Sie Ihr Elektrowerkzeug nur von qualifiziertem Fachpersonal und nur mit Original-Ersatzteilen reparieren.** Damit wird sichergestellt, dass die Sicherheit des Elektrowerkzeuges erhalten bleibt.

## Zusätzliche Sicherheitshinweise für Arbeiten mit Schlaghammern

Die bei der Arbeit mit dem Elektrowerkzeug freigesetzten Bruchstücke und die Berührung seiner beweglichen Teile, sowie auch der Kontrollverlust können schwere körperliche Schäden und der Lärm bei längerer Arbeit – Gehörstörungen verursachen, wenn die Sicherheitshinweise und die unten aufgezählten Regeln nicht eingehalten werden.



**Gehörschutz tragen.** Das intensive Geräusch während der Arbeit kann Gehörschäden verursachen.

- **Beim Arbeiten immer den Zusatzhandgriff verwenden.** Ein Kontrollverlust kann zu schweren körperlichen Verletzungen führen.



**Beim Arbeiten persönliche Schutzausrüstung und immer eine Schutzbrille tragen.**



**Bei stauberzeugenden Arbeiten, Unfallverhütungsvorschriften beachten!** Einige Materialien können Giftstoffe enthalten. Tragen Sie eine Staubmaske. Das Verwenden von Staubabsaug- und Auffangeinrichtungen verringert die Gefährdung durch Staub.



- Halten Sie das Gerät nur an den isolierten Griffflächen, wenn Sie Arbeiten ausführen, bei denen das Einsatzwerkzeug verborgene Stromleitungen oder das eigene Netzkabel treffen kann. Der Kontakt mit einer spannungsführenden Leitung kann auch metallene Geräteteile unter Spannung setzen und zu einem elektrischen Schlag führen.
- Asbestenthaltende Materialien nicht bearbeiten. Asbest gilt als krebserregend.
- Halten Sie während der Arbeit das Gerät mit beiden Händen und sorgen Sie für einen sicheren Stand. Das Elektrowerkzeug kann sicherer geführt werden, indem Sie es mit beiden Händen halten.
- Ziehen Sie den Stecker aus der Steckdose, bevor Sie Einstellungen, Reparatur oder Wartung durchführen. Ebenso bei Stromausfall (Gefahr des Wiederanlaufs).
- Halten Sie das Netzkabel von der Arbeitszone des Schlaghammers fern.
- Betrieb mit beschädigtem Netzkabel oder Stecker ist unzulässig. Wenn das Netzkabel beschädigt ist, soll der Austausch vom Hersteller oder seinem Servicefachmann vorgenommen werden, um die Gefahren bei unsachgemäßem Austausch zu vermeiden.
- Vor Beginn der Arbeit überprüfen Sie mit einem geeigneten Metallsuchgerät auf Vorhandensein einer versteckten Leitung, einer Gas- oder Wasserleitung oder nehmen Sie Kontakt mit den entsprechenden örtlichen Behörden auf. Die Berührung einer versteckten Stromleitung kann Stromschaden verursachen. Die Gasleitung kann Explosion verursachen. Die Bohrung einer Wasserleitung wird Sachschäden oder Stromschaden verursachen.
- Das Elektrowerkzeug soll nicht im Freien beim Regenwetter, in einer feuchten Umgebung (nach Regen) oder in der Nähe von leicht brennbaren Flüssigkeiten und Gasen verwendet werden. Der Arbeitsplatz soll gut beleuchtet sein.

## Elemente des Elektrowerkzeugs

Bevor Sie mit dem Elektrowerkzeug zu arbeiten beginnen, lernen Sie alle operative Besonderheiten und Sicherheitshinweise kennen. Verwenden Sie das elektrische Gerät nur bestimmungsgemäß und unter Beachtung der allgemeinen Sicherheits- und Unfallverhütungsvorschriften. Jede andere Verwendung ist ausdrücklich verboten

1. Staubschutzkappe
2. Verriegelungshülse
3. Schalter
4. Ausschalldruckknopf
5. Schalterabzug
6. Drehzahlregler
7. Bürstenverschleiß- und Überlast-Anzeige
8. Betriebsarten-Anzeige
9. Lüftungsschlitze
10. Lüftungsschlitze
11. Spannmutter
12. Zusatzhandgriff

## Betriebshinweise

Dieses elektrische Gerät wird nur mit Einphasenwechselspannung betrieben. Es ist doppelt isoliert gemäß EN 60745-1 und IEC 60745 und darf an Steckdosen ohne Schutzklemmen angeschlossen werden. Die Funkstörungen entsprechen der Richtlinie über die elektromagnetische Verträglichkeit.

Dieses Elektrowerkzeug ist zum hochproduktiven Meisseln in Mauerwerk, Beton und Gestein bestimmt.



Die integrierte Vibrationsdämpfung reduziert die auftretenden Vibrationen um mehr als 50%.

## BEVOR SIE DAS GERÄT IN BETRIEB SETZEN

- Prüfen Sie, ob die auf dem Leistungsschild angegebene Spannung der Netzspannung entspricht.
- Prüfen Sie die Position des Tippschalters. Das elektrische Gerät darf an die Netzspannung nur bei ausgeschaltetem Tippschalter angeschlossen werden. Wenn Sie das Gerät bei eingeschaltetem Tippschalter an die Steckdose anschließen, besteht die Voraussetzung für einen Unfall.
- Stellen Sie sicher, dass die Anschlussleitung und der Gerätestecker in gutem Zustand sind. Kontrollieren Sie regelmäßig die Anschlussleitung des elektrischen Gerätes und lassen Sie sie bei Beschädigung von qualifiziertem Fachpersonal oder von einer autorisierten Vertrags-Kundendienstwerkstatt erneuern.



**WARNUNG:** Ziehen Sie den Stecker aus der Steckdose, bevor Sie Geräteeinstellungen und Wartung vornehmen, Zubehörteile wechseln oder das Gerät weglegen.

- Wenn der Arbeitsbereich von der Steckdose entfernt ist, verwenden Sie möglichst kürzere Verlängerungskabel. Nur für den Aussenbereich zugelassene und entsprechend gekennzeichnete Verlängerungskabel verwenden.
- Prüfen Sie, ob der Zusatzhandgriff gut montiert und festgezogen ist.

## EINSETZEN EINES SDS-MAX –WERKZEUGS

Bevor das Werkzeug in die Aufnahme eingesetzt wird, soll der Werkzeugschaft gereinigt und geschmiert werden!

Beim Einsetzen des Werkzeugs die Verriegelungshülse 2 in der oberen (vorderen) Stellung halten.

Das Werkzeug in die Werkzeugaufnahme einführen und drehen bis die Nuten zusammentreffen.

Das Werkzeug nach unten drücken bis es einrastet (ein deutliches Klicken ist zu hören). Verriegelung durch kräftiges Ziehen am Werkzeug prüfen.

## ENTNEHMEN DES SDS-MAX - WERKZEUGS

Die Verriegelungshülse 2 voll nach hinten schieben und das Werkzeug entnehmen.

Anwendungsbereich	Stellrad	Schlagzahl
Putz / Leichtbaustoffe	<b>A-B</b>	1900-2085 min <sup>-1</sup>
Ziegelsteine/ Ablösen von Fliesen	<b>C-D</b>	2265-2450 min <sup>-1</sup>
Meißeln in Beton	<b>E-G</b>	2630-3000 min <sup>-1</sup>

## MEISSELSTELLUNG VERÄNDERN

- Das Werkzeug in die Aufnahme einsetzen wie im Abschnitt "Einsetzen des Werkzeugs" beschrieben.
- Schalter 3 in Position "Meißelstellung verändern" drehen.
- Werkzeug per Hand in die gewünschte Stellung drehen.
- Schalter 3 wieder in Position „Hammer“ bringen,

dann das Werkzeug mit der Hand etwas nach links und rechts drehen, bis es verriegelt wird.

Nur scharfe Meißelwerkzeuge gewährleisten höhere Lebensdauer des Elektrowerkzeug und gute Arbeitsleistungen.

## EIN- UND AUSSCHALTEN

- Einschalten: Schalter 5 in die angegebene Richtung drücken.
- Ausschalten: Ausschaltdruckknopf 4 in die angegebene Richtung drücken



**WARNUNG:** Bei niedrigen Temperaturen  $\leq 0^{\circ}\text{C}$  ( $32^{\circ}\text{F}$ ) und nach langem Stillstand des Elektrogerätes (Aufbewahrung im Lagerhaus/Geschäft/Haus) könnte es vorkommen, dass der Schlag nicht funktioniert, weil das Schmieröl dick geworden ist. In diesem Fall das Gerät einschalten und ungefähr 1,5 Minuten leerlaufen lassen, damit es sich erwärmen kann. So wird die Schmierung des Elektrogerätes verbessert und sein Leben verlängert.

## DREHZAHL-/SCHLAGZAHL- UND SCHLAGENERGIEVORWAHL

Durch Drehen des Drehzahlreglers 6 wird eine geeignete, materialgerechte Drehzahl, Schlagzahl und Schlagenergie gewählt. Die Konstantelektronik hält die Drehzahl, die Schlagzahl und die Schlagenergie konstant, unabhängig von der Belastung, was eine gleichmäßige Arbeitsleistung gewährleistet. Die Angaben in der Tabelle sind empfehlenswert.

Durch Drehen des Drehzahlreglers 6 von A bis F wird eine Erhöhung der Drehzahl, Schlagzahl und Schlagenergie erzielt. Die Überlast-Anzeige 8 leuchtet mit einem flackernden grünen Licht. Wenn der Drehzahlregler 6 in Stellung G zeigt, leuchtet die Betriebsarten-Anzeige 8 mit grünem Licht. In dieser Betriebsart wird die Schlagenergie auf bis zu 9 J erhöht.

## ZUSATZHANDGRIFF

---

Gerät stets mit Zusatzhandgriff verwenden.  
Zum Einstellen der Handgriff-Position Spannmutter 11 lösen.  
Das Elektrowerkzeug nicht am Zusatzhandgriff tragen, wenn dieser aufgelockert ist

## ARBEITSEMPFEHLUNGEN

---

Bei Abbauarbeiten einen mäßigen Druck (ca. 100 - 150N) anwenden! Starker Druck steigert die Meißelleistung nicht, führt aber zur Verkürzung der Lebensdauer des Elektrowerkzeugs. Die Abnutzung des Meißels regelmäßig überprüfen und das Werkzeug auswechseln, wenn eine Verminderung der Arbeitsleistung bemerkt wird.

## Wartung

---



**WARNUNG:** Ziehen Sie den Stecker aus der Steckdose, bevor Sie eine Inspektion oder Wartung vornehmen.

## INSTANDHALTUNG

---

Prüfen Sie regelmäßig, ob alle Stützelemente fest angezogen sind. Falls eine Klemmschraube gelöst ist, unverzüglich anziehen, um Risiken zu vermeiden.

Wenn die Anschlussleitung beschädigt ist, muss sie von einer autorisierten Vertrags-Kundendienstwerkstatt ausgetauscht werden.

## REINIGUNG

---

Pflegen Sie das elektrische Gerät und die Entlüftungsöffnungen mit Sorgfalt.  
Zur sicheren Arbeit das Elektrowerkzeug und die Lüftungsschlitze stets sauber halten. Immer nach dem Arbeiten die Lüftungsschlitze und die Werkzeugaufnahme reinigen. Verwenden Sie eine weiche Bürste, um Staub zu entfernen. Tragen Sie eine Schutzbrille während der Reinigung. Reinigen Sie den Gerätekörper mit einem weichen, feuchten Tuch und leichtem Spülmittel.



**WARNUNG:** Die Verwendung von Spiritus, Benzin oder anderen Lösmitteln ist nicht zugelassen. Verwenden Sie keine ätzenden Reinigungsmittel für die Kunststoffteile.



**WARNUNG:** Das Eindringen von Wasser in das Elektrogerät ist nicht ratsam.

**ACHTUNG!** Um den sicheren und zuverlässigen Betrieb des Elektrowerkzeuges sicherzustellen, lassen Sie alle Geräteeinstellungen, Reparatur- und Wartungstätigkeiten (einschließlich der Inspektion und Instandsetzung der Kohlebürsten) von einer autorisierten SPARKY Vertrags-Kundendienstwerkstatt durchführen.

## INTERGRIERTER STAUBSCHUTZ

---

Die Staubschutzkappe 1 verhindert das Eindringen von Bohrstaub während des Betriebes. Beim Einsetzen des Werkzeugs darauf achten, dass die Staubschutzkappe 1 nicht beschädigt wird.



**WARNUNG:** Eine beschädigte Staubschutzkappe ist sofort auszutauschen!

Zum Auswechseln der Staubschutzkappe 1 die Verriegelungshülse 2 nach hinten schieben. Die Staubschutzkappe fassen und kräftig schräg nach vorn abziehen. Die neue Staubschutzkappe schräg auf die Spindel ansetzen und stark aufdrücken.

## SERVICE-ANZEIGE

---

Wenn die Anzeige zu flackern beginnt, und dabei das Elektrowerkzeug normal weiterarbeitet, ist Bürstenwechsel erforderlich. Nach ca. 8 Stunden Arbeit erfolgt ein totaler Bürstenverschleiß und der Ausschalter wird betätigt. Das Elektrowerkzeug schaltet selbsttätig ab, und die Anzeige flackert mit Rotlicht weiter. Zum Bürstenwechsel und zur Wartung das Elektrowerkzeug in eine autorisierte Kundendienst-Werkstatt bringen.

Wenn das Elektrowerkzeug, bevor die Warnungszeit von 8 Stunden abgelaufen ist, nicht funktioniert und dabei die rote Anzeige flackert, bedeutet dies, dass wahrscheinlich der Elektromotor beschädigt ist. Wenn es keine Lichtanzeige gibt und das Elektrowerkzeug nicht funktioniert, bedeutet dies, dass entweder Stromversorgung an

das Gerät fehlt oder dass der Schalter oder die Kabelleitung beschädigt ist.

## PROPHYLAXE

---

Die Maschine regelmäßig in einer befugten Kundendienstwerkstatt für SPARKY-Elektrowerkzeuge durchsehen lassen. Die prophylaktischen Durchsichten werden die Lebensdauer Ihres Elektrowerkzeugs verlängern.

*Erste Durchsicht* – nach ungefähr 70 Arbeitsstunden.

Die Funktionen der Maschine werden überprüft, wenn es notwendig ist, wird eine Durchsicht durchgeführt.

*Zweite Durchsicht* – nach ungefähr 140 Arbeitsstunden oder Abnutzen der Kohlebürsten. Das Elektrowerkzeug wird gründlich gesäubert, Durchsicht und Reparatur entstandener oder potenzieller Fehler (Auswechseln von Kohlebürsten und Dichtungsringen) werden vorgenommen.

*Dritte Durchsicht* – nach ungefähr 250 Arbeitsstunden oder Abnutzen der Kohlebürsten. Das Elektrowerkzeug wird gründlich gesäubert, Durchsicht und Reparatur entstandener oder potenzieller Fehler (Auswechseln von Kohlebürsten und Dichtungsringen) werden vorgenommen.

*Vierte Durchsicht* – nach ungefähr 350 Arbeitsstunden oder Abnutzen der Kohlebürsten. Das Elektrowerkzeug wird gründlich gesäubert, Durchsicht und Reparatur entstandener oder potenzieller Fehler (Auswechseln von Kohlebürsten und Dichtungsringen) werden vorgenommen.

## Garantie

---

Die Garantiefrist der SPARKY-Elektrowerkzeuge wird im Garantieschein bestimmt.

Schäden, die auf natürliche Abnutzung, Überlastung oder unsachgemäße Handhabung zurückzuführen sind, bleiben von der Garantie ausgeschlossen.

Schäden, die durch Material- und/oder Herstellerfehler entstanden sind, werden unentgeltlich durch Ersatzlieferung oder Reparatur beseitigt. Beanstandungen bezüglich eines beschädigten SPARKY-Elektrowerkzeugs können nur anerkannt werden, wenn das Gerät unzerlegt (im ursprünglichen Zustand) dem Lieferanten oder der befugten Kundendienstwerkstatt vorgelegt wird.

## Hinweise

---

Lesen Sie sorgfältig die ganze Betriebsanweisung bevor Sie beginnen, das Erzeugnis zu verwenden.

Der Hersteller behält sich das Recht vor, Verbesserungen und Änderungen in seinen Erzeugnissen einzuführen und die Spezifikationen ohne Voranmeldung zu ändern.

Die Spezifikationen können sich in den verschiedenen Ländern unterscheiden.

# Sommaire

Introduction .....	18
Données techniques .....	20
Conditions générales de sécurité lors du travail avec les instruments électriques .....	21
Instructions supplémentaires de sécurité lors du travail avec des marteaux-piqueurs .....	22
Description de l'appareil électrique .....	A/23
Instructions pour le travail .....	B/23
Entretien .....	25
Garantie .....	26

## DEBALLAGE

Compte tenu des technologies généralement adoptées pour la production en grande série, il est peu probable que votre instrument électrique soit défectueux ou qu'il lui manque une pièce. Si toutefois vous remarquez que quelque chose ne va pas, n'utilisez pas l'instrument électrique avant le remplacement de la pièce défectueuse ou avant l'élimination du dysfonctionnement. Le non-respect de cette recommandation peut entraîner un grave accident.

## MONTAGE

L'outil brise-béton est fourni dans son emballage, entièrement monté. (que, etc.); une fois choisie, elle est montée sur la machine.

## Introduction

---

Votre nouvel outil a été conçu et produit selon tous les standards de qualité pour répondre aux exigences les plus élevées. Son exploitation est facile et sécurisée. Et avec une utilisation correcte il vous servira longtemps.

### AVERTISSEMENT!



Lire attentivement cette notice originale avant d'utiliser votre nouvel outil. Prêter attention aux sections «Avertissement». Votre outil électrique possède des caractéristiques qui facilitent votre travail.

Cet instrument a été conçu et produit selon toutes les exigences de sécurité pour que son usage et son entretien soient faciles.



### **Ne pas jeter les outils électroportatifs avec les ordures ménagères!**

Les déchets provenant d'outils électroportatifs ne doivent pas être ramassés avec les ordures ménagères. Prière de recycler sur les lieux qui y sont spécialement destinés. Contacter les autorités locales ou un représentant pour des consultations concernant le recyclage.

### RESPECT DE L'ENVIRONNEMENT



Récupération des matières premières plutôt qu'élimination des déchets. En vue à la protection de l'environnement, les appareils, comme d'ailleurs leurs accessoires et emballages, doivent pouvoir suivre chacun une voie de recyclage appropriée. Nos pièces en matières artificielles ont été marquées en vue d'un recyclage sélectif des différents matériaux.

## LÉGENDE

L'outil électrique porte une plaque décrivant les signes spéciaux. Ils apportent une information importante quant au produit ou des instructions d'utilisation.



Double isolation pour une meilleure sécurité.



Niveau garanti de puissance acoustique  $L_{WA}$  répond aux exigences de la directive 2000/14/CE.



Conforme aux directives européennes applicables.



Conforme aux exigences des règlements de l'Union douanière.



En conformité avec les exigences des standards ukrainiens.




Lisez la notice originale.

YYYY-Www Période de production, où, les symboles variables sont les suivants :  
YYYY - année de production,  
ww – le numéro de la semaine du calendrier.

K Marteaux-piqueurs.

## Données techniques

Modèle	K 615CE	K 920CE
Puissance absorbée	1300W	1400W
Fréquence de frappe au ralenti	1900-3000 min <sup>-1</sup>	1000-2350 min <sup>-1</sup>
Électronique de réglage de la fréquence de frappe	oui	oui
Énergie unitaire de frappe (procédure EPTA 05/2009)	9 J	13,5 J
Positions du trépan	12	12
Système de fixation de l'outil	SDS-max	SDS-max
Poids de l'outil (EPTA procédure 01/2014)	6.6 kg	8.1 kg
Classe de protection (EN 60745-1) 	II	II

### INFORMATION CONCERNANT LE BRUIT ET LES VIBRATIONS

Valeurs mesurées conformément à EN 60745.

#### Emission de bruit

Le mesure réelle (A) de niveau de pression acoustique $L_{pA}$	95.0 dB (A)	97.5 dB(A)
Incertitude $K_{pA}$	3.0 dB (A)	3.0 dB (A)
Le mesure réelle (A) de niveau d'intensité acoustique $L_{WA}$	106.0 dB (A)	108.5 dB (A)
Incertitude $K_{WA}$	3.0 dB (A)	3.0 dB (A)

#### Porter une protection acoustique!

#### Informations sur les vibrations \*

Valeurs totales des vibrations (somme vectorielle de trois sens) établies conformément à EN 60745:

Cassage		
Valeur d'émission vibratoire $a_{h,Chéq}$	12.7 m/s <sup>2</sup>	16.6 m/s <sup>2</sup>
Incertitude $K_{Chéq}$	1.5 m/s <sup>2</sup>	1.5 m/s <sup>2</sup>

\* Vibrations déterminées conformément au point 6.2.7 de EN 60745.

L'amplitude d' l'accélération indiquée dans ces instructions d'utilisation a été mesurée suivant les méthodes de mesurage conformément à la norme EN 60745 et peut être utilisée pour une comparaison d'appareils. Le niveau de vibration peut être utilisé pour faire une estimation provisoire du degré d'influence vibratoire.

Le niveau de vibration annoncé concerne la fonction principale de l'outil. Dans des cas où l'outil est destinée à une autre utilisation ou avec d'autres accessoires, ou s'il est mal entretenu, le niveau de vibration peut s'écarter de celui qui a été indiqué. Si c'est le cas, le degré d'influence peut fortement augmenter au cours de l'utilisation

Pour une estimation précise de l'influence vibratoire pendant un certain temps d'utilisation, il est recommandé de prendre aussi en considération les espaces de temps pendant lesquels l'appareil est éteint ou sous tension, mais pas vraiment utilisé. Ceci peut réduire considérablement l'influence vibratoire pendant toute la durée du travail.

Entretenez l'outil et ses accessoires en bon état. Gardez vos mains chaudes au cours de son utilisation - cela va diminuer les conséquences négatives lorsque vous travaillez à des hauts degrés de vibrations

Les poussières de matériaux tels que peintures contenant du plomb, certains bois, minéraux ou métaux, peuvent être nuisibles à la santé. Toucher ou aspirer les poussières peut entraîner des réactions allergiques et/ou des maladies respiratoires auprès de l'utilisateur ou de personnes se trouvant à proximité.

Certaines poussières telles que les poussières de chêne ou de hêtre sont considérées cancérigènes, surtout en connexion avec des additifs pour le traitement de bois (chromate, lazure). Les matériaux contenant de l'amiante ne doivent être travaillés que par des personnes qualifiées.

- Si possible, utilisez une aspiration des poussières.
- Afin d'atteindre un haut degré d'aspiration de la poussière, lors du travail avec cet outil électroportatif utilisez un aspirateur spécialement adapté pour l'aspiration de poussière de bois ou pour l'aspiration de poussière de bois et/ou poussière de minéraux.



- Veillez à bien aérer la zone de travail.
  - Il est recommandé de porter un masque respiratoire de la classe de filtre P2.
- Respectez les règlements en vigueur dans votre pays spécifiques aux matériaux à traiter.

## Avertissements de sécurité généraux pour l'outil



**AVERTISSEMENT!** Lire tous les avertissements de sécurité et toutes les instructions. Ne pas suivre les avertissements et instructions peut donner lieu à un choc électrique, un incendie et/ou une blessure sérieuse.

**Conserver tous les avertissements et toutes les instructions pour pouvoir s'y reporter ultérieurement.**

Le terme «outil» dans les avertissements fait référence à votre outil électrique alimenté par le secteur (avec cordon d'alimentation) ou votre outil fonctionnant sur batterie (sans cordon d'alimentation).

### 1) Sécurité de la zone de travail

- Conserv**er la zone de travail propre et bien éclairée. Les zones en désordre ou sombres sont propices aux accidents.
- Ne pas faire fonctionner** les outils électriques en atmosphère explosive, par exemple en présence de liquides inflammables, de gaz ou de poussières. Les outils électriques produisent des étincelles qui peuvent enflammer les poussières ou les fumées.
- Maintenir** les enfants et les personnes présentes à l'écart pendant l'utilisation de l'outil. Les distractions peuvent vous faire perdre le contrôle de l'outil.

### 2) Sécurité électrique

- Il faut que les fiches de l'outil électrique soient adaptées** au socle. Ne jamais modifier la fiche de quelque façon que ce soit. Ne pas utiliser d'adaptateurs avec des outils à branchement de terre. Des fiches non modifiées et des socles adaptés réduiront le risque de choc électrique.
- Éviter tout contact du corps avec des surfaces reliées à la terre** telles que les tuyaux, les radiateurs, les cuisinières et les réfrigérateurs. Il existe un risque accru de choc électrique si votre corps est relié à

la terre.

- Ne pas exposer les outils à la pluie ou à des conditions humides.** La pénétration d'eau à l'intérieur d'un outil augmentera le risque de choc électrique.
  - Ne pas maltraiter le cordon.** Ne jamais utiliser le cordon pour porter, tirer ou débrancher l'outil. Maintenir le cordon à l'écart de la chaleur, du lubrifiant, des arêtes ou des parties en mouvement. Des cordons endommagés ou emmêlés augmentent le risque de choc électrique.
  - Lorsqu'on utilise un outil à l'extérieur, utiliser un prolongateur adapté à l'utilisation extérieure.** L'utilisation d'un cordon adapté à l'utilisation extérieure réduit le risque de choc électrique.
  - Si l'usage d'un outil dans un emplacement humide est inévitable, utiliser une alimentation protégée par un dispositif à courant différentiel résiduel (RCD).** L'usage d'un RCD réduit le risque de choc électrique.
- ### 3) Sécurité des personnes
- Rester vigilant, regarder ce que vous êtes en train de faire et faire preuve de bon sens dans votre utilisation de l'outil.** Ne pas utiliser un outil lorsque vous êtes fatigué ou sous l'emprise de drogues, d'alcool ou de médicaments. Un moment d'inattention en cours d'utilisation d'un outil peut entraîner des blessures graves des personnes.
  - Utiliser un équipement de sécurité.** Toujours porter une protection pour les yeux. Les équipements de sécurité tels que les masques contre les poussières, les chaussures de sécurité antidérapantes, les casques ou les protections acoustiques utilisés pour les conditions appropriées réduiront les blessures de personnes.
  - Éviter tout démarrage intempestif.** S'assurer que l'interrupteur est en position arrêt avant de brancher l'outil au secteur et/ou au bloc de batteries, de le ramasser ou de le porter. Porter les outils en ayant le doigt sur l'interrupteur ou brancher des outils dont l'interrupteur est en position marche est source d'accidents.
  - Retirer toute clé de réglage avant de mettre l'outil en marche.** Une clé laissée

fixée sur une partie tournante de l'outil peut donner lieu à des blessures de personnes.

- e) **Ne pas se précipiter. Garder une position et un équilibre adaptés à tout moment.** Cela permet un meilleur contrôle de l'outil dans des situations inattendues.
- f) **S'habiller de manière adaptée. Ne pas porter de vêtements amples ou de bijoux. Garder les cheveux, les vêtements et les gants à distance des parties en mouvement.** Des vêtements amples, des bijoux ou les cheveux longs peuvent être pris dans des parties en mouvement.
- g) **Si des dispositifs sont fournis pour le raccordement d'équipements pour l'extraction et la récupération des poussières, s'assurer qu'ils sont connectés et correctement utilisés.** Utiliser des collecteurs de poussière peut réduire les risques dus aux poussières.

#### 4) Utilisation et entretien de l'outil

- a) **Ne pas forcer l'outil. Utiliser l'outil adapté à votre application.** L'outil adapté réalisera mieux le travail et de manière plus sûre au régime pour lequel il a été construit.
- b) **Ne pas utiliser l'outil si l'interrupteur ne permet pas de passer de l'état de marche à arrêt et vice versa.** Tout outil qui ne peut pas être commandé par l'interrupteur est dangereux et il faut le réparer.
- c) **Débrancher la fiche de la source d'alimentation en courant et/ou le bloc de batteries de l'outil avant tout réglage, changement d'accessoires ou avant de ranger l'outil.** De telles mesures de sécurité préventives réduisent le risque de démarrage accidentel de l'outil.
- d) **Conserver les outils à l'arrêt hors de la portée des enfants et ne pas permettre à des personnes ne connaissant pas l'outil ou les présentes instructions de le faire fonctionner.** Les outils sont dangereux entre les mains d'utilisateurs novices.
- e) **Observer la maintenance de l'outil. Vérifier qu'il n'y a pas de mauvais alignement ou de blocage des parties mobiles, des pièces cassées ou toute autre condition pouvant affecter le fonctionnement de l'outil. En cas de dommages, faire réparer l'outil avant de l'utiliser.** De nombreux accidents sont dus à des outils mal entretenus.
- f) **Garder affûtés et propres les outils permettant de couper.** Des outils destinés à couper correctement entretenus avec des

pièces coupantes tranchantes sont moins susceptibles de bloquer et sont plus faciles à contrôler.

- g) **Utiliser l'outil, les accessoires et les lames etc., conformément à ces instructions, en tenant compte des conditions de travail et du travail à réaliser.** L'utilisation de l'outil pour des opérations différentes de celles prévues pourrait donner lieu à des situations dangereuses.

#### 5) Maintenance et entretien

- a) **Faire entretenir l'outil par un réparateur qualifié utilisant uniquement des pièces de rechange identiques.** Cela assurera que la sécurité de l'outil est maintenue.

## Instructions supplémentaires de sécurité lors du travail avec des marteaux-piqueurs

Les éclats brisés pendant le travail avec l'outil électroportatif, le contact avec les pièces en mouvement ainsi que toute perte de contrôle peuvent provoquer des injures graves, et le bruit pendant un travail prolongé peut nuire à l'ouïe, si les consignes de sécurité et les règles cités ci-dessous ne sont pas observés.



**Portez des protecteurs auditifs lors d'un travail prolongé.** Le bruit intensif émis lors du travail peut entraîner des troubles de l'audition.

- **Utilisez toujours la poignée auxiliaire fournie avec l'appareil.** La perte de contrôle peut entraîner un accident du travail.



**Pendant le travail, utilisez des dispositifs pour la protection des yeux contre les fragments volants.** Portez des lunettes de protection.



**Prenez des mesures qui vous éviteront l'inhalation de poussières.** Certains matériaux peuvent contenir des composants toxiques. Portez donc un masque protégeant de la poussière. Utilisez un dispositif pour l'élimination de la poussière s'il est possible de raccorder celui-ci à l'instrument électrique.

- **Tenir l'outil uniquement par les surfaces de préhension isolantes, pendant les opérations au cours desquelles l'accessoire coupant peut être en contact avec des conducteurs cachés ou avec son propre câble.** *Le contact de l'accessoire coupant avec un fil „sous tension” peut également mettre „sous tension” les parties métalliques exposées de l'outil électrique et provoquer un choc électrique sur l'opérateur.*
- Ne jamais traiter des matériaux au asbeste. L'asbeste est considéré substance cancérigène.
- Pendant le travail tenir fermement la machine avec les deux mains et maintenir une position stable du corps. L'outil électroportatif ne peut être contrôlé sûrement si on ne le maintient pas avec les deux mains.
- Retirer la fiche de la prise avant de procéder à tout travail de réglage, réparation ou maintenance, et aussi lors des coupures de tension du réseau d'alimentation.
- Tenir le câble d'alimentation hors de la zone de travail du marteau-piquer.
- Le travail quand le câble d'alimentation ou la fiche sont abîmés est interdit. Tout remplacement du câble d'alimentation doit être exécuté par le fabricant ou par un spécialiste d'une station service autorisée afin d'éviter les risques d'un remplacement non approprié.
- Avant de commencer le travail il faut obligatoirement vérifier à l'aide d'un détecteur approprié la présence d'une canalisation sous crépi ou des conduites de gaz et d'eau, ou bien consulter les bureaux locaux des services correspondants. Le contact avec une canalisation sous crépi peut provoquer une électrocution. La détérioration d'une conduite de gaz peut provoquer une explosion. L'endommagement d'une conduite d'eau peut provoquer des dommages matériels ou/et électrocution.
- Ne pas utiliser l'outil électroportatif en plein air sous la pluie, en milieu humide (après la pluie) ou en proximité des liquides et gazes inflammables. La zone de travail doit être bien illuminée.

## Présentation de l'appareil électrique

Avant de commencer le travail avec l'appareil électrique, prenez connaissance des particuliari-

tés de son fonctionnement et des conditions de sécurité à respecter.

L'appareil et ses accessoires doivent être utilisés uniquement pour les travaux pour lesquels ils ont été prévus. Toute autre utilisation est strictement interdite.

1. Collier de sûreté
2. Douille de verrouillage
3. Commutateur
4. Bouton de débrayage
5. Gâchette de l'interrupteur
6. Régulateur de la vitesse de rotation
7. Indicateur d'usure des balais et de surcharge
8. Indicateur du mode
9. Ouïes de ventilation
10. Ouïes de ventilation
11. Ecrou de serrage
12. Poignée auxiliaire

## Instructions pour le travail

Cet appareil électrique est alimenté uniquement par un courant alternatif monophasé. Il possède une double isolation, conformément à EN 60745-1 et IEC 60745 et peut être branché à des prises qui ne possèdent pas de bornes de protection. Les brouillages radiophoniques sont conformes à la Directive de conformité électromagnétique.

L'outil électroportatif peut être utilisé pour la démolition et le démantèlement dans des enduits, du béton et des rochers, à une haute productivité.



L'appareil est doté d'un mécanisme d'amortissement des vibrations qui amortit celles-ci de plus de 50%.

### AVANT LE DÉBUT DU TRAVAIL

- Assurez-vous que la tension du secteur correspond à celle indiquée sur la plaquette contenant les données techniques de l'instrument.
- Vérifiez la position de l'interrupteur. L'appareil doit être toujours branché et débranché du secteur interrupteur on position OFF. Si vous branchez l'appareil au secteur lorsque son interrupteur est en position de marche, l'appareil se mettra immédiatement à fonctionner, ce qui crée un danger d'accident.

- Assurez-vous que le câble l'alimentation électrique et sa fiche sont en parfait état. Si le câble d'alimentation est endommagé, il doit être remplacé par le producteur ou un spécialiste agréé par celui-ci afin d'éviter les éventuels risques liés à son remplacement.



**AVERTISSEMENT:** Arrêtez toujours l'appareil et débranchez-le du réseau avant d'effectuer sur celui-ci tout réglage et opération de service ou d'entretien..

- Si la zone de travail est éloignée de la prise de courant, utilisez un rallonge aussi courte que possible, à section du câble appropriée.
- Vérifiez si la poignée auxiliaire est correctement montée et bien serrée.

## **INSTALLATION D'UN INSTRUMENT SDS-MAX**

Nettoyer et graisser la queue de l'instrument avant son installation dans la douille!

Lors de l'installation de l'instrument, maintenir la douille de verrouillage 2 en position supérieure (antérieure). Placer librement l'instrument dans l'arbre. Tourner l'instrument à l'intérieur de l'arbre jusqu'à la coïncidence des rainures. Après coïncidence des rainures, introduire l'instrument vers le bas jusqu'à la butée (jusqu'au déclic du mécanisme de fixation). S'assurer que l'instrument est bien fixé, en le tirant fortement vers l'extérieur.

## **RETRAIT D'UN INSTRUMENT SDS-MAX**

Retirer la douille de verrouillage 2 totalement en arrière et retirer l'instrument.

## **CHANGEMENT DE LA POSITION DU BURIN**

- Placer l'instrument dans la douille selon les indications citées au paragraphe "Installation d'un instrument SDS-max".
- Tourner le commutateur dans 3 la position "Changement de la position du burin".
- Tourner l'instrument à la main jusqu'à la position souhaitée.
- Mettre le commutateur dans 3 en position "percussion (marteau)", puis tourner le mandrin à la main à gauche et à droite afin de fixer le loquet.

Une plus longue durabilité de l'outil électropor-

tatif et une haute productivité ne peuvent être obtenues qu'avec des instruments de démantèlement et d'excavation bien affûtés.

## **MARCHE - ARRET**

- Marche: Presser la gâchette de l'interrupteur (5) dans la direction indiquée.
- Arrêt: Presser le bouton de débrayage (4) dans la direction indiquée.



**AVERTISSEMENT:** Si la température ambiante est basse  $\leq 0^{\circ}\text{C}$  ( $32^{\circ}\text{F}$ ) ou si l'outil n'a pas été utilisé depuis longtemps (après stockage dans un dépôt/magasin/maison, il est possible de ne pas avoir une action de frappe lors de la mise en marche parce que la graisse est devenue plus épaisse. Dans ce cas, laisser l'outil travailler à vide pour 1,5 min. pour qu'il se réchauffe. Ainsi on obtient une meilleure lubrification.

## **SÉLECTION DE LA FRÉQUENCE ET DE LA PUISSANCE DE FRAPPE**

En tournant le régulateur 6, la fréquence et la puissance de frappe appropriées sont sélectionnées en fonction du matériau travaillé. Le stabilisateur électronique maintient des valeurs constantes pour la fréquence et la puissance de frappe, indépendamment de la charge, ce qui assure un régime de travail optimal. Il est recommandé d'utiliser les régimes de travail cités dans le tableau ci-dessous.

Champs d'application	Position du régulateur	Fréquence de frappe
Enduit / Matériaux de construction légers	A-B	1900-2085 min <sup>-1</sup>
Briques / Arrachement de carreaux	C-D	2265-2450 min <sup>-1</sup>
Burinage dans le béton	E-G	2630-3000 min <sup>-1</sup>

Si le régulateur 6 est tourné à partir de la position A jusqu'à F, la fréquence et la puissance de frappe. Le voyant 8 s'allume en vert et clignote. Le variateur 6 étant dans la position G, l'indicateur 8 s'allume en vert. Le mode se caractérise d'une énergie de frappe élevée jusqu' aux 9 J.

### POIGNÉE AUXILIAIRE

Toujours se servir de la poignée auxiliaire. Pour changer la position de la poignée, desserrer l'écrou de serrage 11. Ne pas porter l'outil par la poignée auxiliaire, lorsque cette dernière est desserrée.

### RECOMMANDATIONS POUR LE TRAVAIL

Appliquer une pression modérée lors de burinage (de l'ordre de 100 - 150N). La forte pression n'assure pas une augmentation de la productivité, mais conduit à une usure prématurée de la machine.

Il faut veiller au degré d'usure du burin et celui-ci doit être remplacé lorsqu'on détecte une diminution considérable de la productivité.

## Entretien



**AVERTISSEMENT:** Arrêtez toujours l'appareil électrique et débranchez sa fiche de la prise de courant avant toute opération de vérification ou d'entretien.

### EXAMEN GENERAL

Vérifiez régulièrement tous les éléments de fixation et assurez-vous qu'ils sont solidement serrés. Si quelque vis s'est desserrée, resserrez-la immédiatement afin d'éviter tout risque.

Si le câble d'alimentation est endommagé, son remplacement doit être effectué par le constructeur ou par un spécialiste agréé par celui-ci, afin

que soit évité tout risque résultant de ce remplacement.

### NETTOYAGE

Pour assurer un travail sécurisé, entretenez toujours la machine et ses orifices de ventilation propres.

Vérifiez régulièrement si dans la grille de ventilation à proximité du moteur électrique ou autour des commutateurs n'ont pas pénétré de la poussière ou des corps étrangers. Utilisez une brosse douce pour éliminer la poussière accumulée. Pour protéger vos yeux, portez des lunettes de protection lors du nettoyage.

Si le boîtier de la machine a besoin d'être nettoyé, essuyez-le à l'aide d'un chiffon mou humide. Vous pouvez utiliser un détergent non agressif.



**AVERTISSEMENT:** Il est interdit d'utiliser de l'alcool, de l'essence ou d'autres solvants. N'utilisez jamais de produits agressifs pour nettoyer les pièces en matière plastique.



**AVERTISSEMENT:** Il est inacceptable que de l'eau entre en contact avec la machine.

**IMPORTANT!** Pour assurer un travail sécurisé avec l'appareil électrique et la longévité de celui-ci, tous les travaux de réparation, d'entretien et de réglage (y compris la vérification et le remplacement des balais) doivent être effectués dans les ateliers agréés de SPARKY avec l'utilisation exclusive de pièces de rechange d'origine.

## PROTECTION ANTI-POUSSIÈRES INCORPORÉE

---

Le collier de sécurité 1 protège la douille de l'instrument contre les saletés lors du travail. Lors de l'installation de l'instrument, veiller à ne pas endommager le collier de sécurité.



**AVERTISSEMENT:** En cas d'endommagement du collier de sécurité, le remplacer immédiatement!

Pour remplacer le collier de sécurité 1, tirer la douille de verrouillage 2 vers l'arrière. Prendre le collier de sécurité et le tirer fort vers l'avant, en l'inclinant. Placer le nouveau collier de sécurité sur l'arbre, en l'inclinant légèrement et le presser fortement.

### INDICATION "SERVICE"

---

Lorsque la diode lumineuse rouge se met à clignoter, et l'appareil continue à fonctionner normalement, il est nécessaire de changer les balais. Après 8 heures d'opération, approximativement, les balais sont complètement usés et le déclencheur est activé. L'appareil s'arrête, et le voyant rouge continue à clignoter. Porter l'appareil dans une station de service agréée pour l'outillage du producteur, pour le remplacement des balais et la prophylactique.

Si l'appareil ne fonctionne pas avant l'écoulement de la période d'alarme de 8 heures, et la diode lumineuse rouge clignote, cela indique que l'électromoteur est probablement en panne. En cas d'absence de toute indication lumineuse et de non-fonctionnement de l'appareil, cela veut dire qu'il manque d'alimentation jusqu'à l'appareil, ou que l'interrupteur ou le câble d'alimentation sont endommagés.

### EXAMEN PROPHYLACTIQUE

---

Présenter périodiquement l'outil électroportatif dans une station de service agréée pour l'outillage du producteur SPARKY pour un examen prophylactique. Les examens prophylactiques prolongeront la vie de votre outil électroportatif.

*Premier examen* - après 70 heures d'opération approximativement. Évaluer le fonctionnement de l'appareil, et si nécessaire, examiner l'outil électroportatif.

*Deuxième examen* - après 140 heures d'opération approximativement ou après usure des balais.

Effectuer un nettoyage général de l'instrument électroportatif, examiner et éliminer les défauts

survenus ou potentiels (remplacer les balais et les anneaux d'isolation).

*Troisième examen* - après 250 heures d'opération approximativement ou après usure des balais. Effectuer un nettoyage général de l'instrument électroportatif, examiner et éliminer les défauts survenus ou potentiels (remplacer les balais et les anneaux d'isolation).

*Quatrième examen* - après 350 heures d'opération approximativement ou après usure des balais.

Effectuer un nettoyage général de l'instrument électroportatif, examiner et éliminer les défauts survenus ou potentiels (remplacer les balais et les anneaux d'isolation).

## Garantie

---

La période de garantie des outils électroportatifs SPARKY est définie dans le contrat de garantie. La garantie ne couvre pas les pannes apparues suite à l'usure naturelle, une surcharge ou une mauvaise exploitation.

Les pannes survenues pour cause de matériaux défectifs et/ou d'erreurs de fabrication seront réparées gratuitement ou le produit sera échangé.

Les réclamations pour un instrument SPARKY défectueux seront honorées si la machine est retournée au livreur ou est présentée à un service après-vente agréé assemblé et dans son état original (assemblée).

## Notes

---

Lire attentivement les instructions avant d'utiliser ce produit.

Le producteur retient son droit d'améliorer ses produits et de changer les spécifications sans avis spécial.

Les spécifications peuvent varier selon le pays.

# Indice

Introduzione .....	27
Dati tecnici .....	29
Istruzioni generali di sicurezza nel lavoro con elettroutensili .....	30
Istruzioni supplementari di sicurezza nel lavoro con martelli demolitori .....	31
Prendere visione dell'elettroutensile .....	A/32
Istruzioni per l'uso .....	B/32
Manutenzione .....	33
Garanzia .....	35

## PRIMA DELL'USO

Prima dell'uso verificare la presenza di tutti i componenti e degli accessori elencati. In caso di mancanze o apparenti difetti rivolgersi al rivenditore specializzato. L'inosservanza di tale raccomandazione potrebbe provocare gravi incidenti.

## ASSEMBLAGGIO

Il martello demolitore viene fornito imballato e completamente montato.

## Introduzione

---

Questo utensile SPARKY supererà le Vostre aspettative. La produzione secondo i rigorosi standard di qualità SPARKY assicura un'ottima prestazione. Se utilizzato correttamente, l'utensile risulterà maneggevole e sicuro, e garantirà un uso duraturo.

### AVVERTENZA:



Leggere attentamente tutte le istruzioni prima dell'utilizzo dell'utensile. Leggere con cura soprattutto le parti introdotte da "Avvertenza". Questo utensile SPARKY presenta numerose caratteristiche che faciliteranno il Suo lavoro. Sicurezza, qualità ed affidabilità sono punti chiave nello sviluppo di questo utensile, e lo rendono semplice nell'uso e nella manutenzione.



### **Non smaltire elettroutensili insieme a rifiuti domestici!**

Residui di prodotti elettrici devono essere smaltiti separatamente dai rifiuti domestici e sottoposti ad un riciclaggio ecologico. Si prega di informarsi presso le autorità locali o i rivenditori specializzati circa il più vicino luogo di raccolta.

### RISPETTO DELL'AMBIENTE



Macchina, accessori ed imballaggio devono essere destinati ad una riutilizzazione ecologica per il recupero di materie prime.

I componenti in plastica sono contrassegnati per relativo riciclaggio.



## SIMBOLI

---

L'etichetta che si trova sulla macchina contiene alcuni simboli. Questi forniscono importanti informazioni sull'utensile o istruzioni sull'uso dello stesso.



Doppio isolamento per una protezione supplementare.



Livello garantito di potenza sonora  $L_{WA}$  in rispetto delle esigenze della Direttiva 2000/14/EC.



Conforme alle direttive europee applicabili.



Corrisponde alle esigenze dei regolamenti dell'unione doganale.



Conforme alle esigenze dei documenti normativi ucraini.



Prendere conoscenza del manuale d'uso.

YYYY-Www      Periodo di produzione, ove i simboli variabili sono:

YYYY - l'anno di produzione

ww - la settimana consecutiva del calendario.

K                      Martello demolitore.

## Dati tecnici

Modello	K 615CE	K 920CE
Potenza assorbita	1300W	1400W
Frequenza dei colpi a vuoto	1900-3000 min <sup>-1</sup>	1000-2350 min <sup>-1</sup>
Regolazione elettronica della frequenza dei colpi	sì	sì
Energia del singolo colpo (procedura EPTA 05/2009)	9 J	13,5 J
Posizioni della punta	12	12
Sistema per fissaggio dell'utensile	SDS-max	SDS-max
Peso (la procedura EPTA 01/2014)	6,6 kg	8,1 kg
Classe di protezione (EN 60745-1) 	II	II

### INFORMAZIONI SUL RUMORE E SULLE VIBRAZIONI

I valori sono stati misurati secondo la norma EN 60745.

#### Emissione di rumore

A-livello di pressione sonora ponderata L <sub>pA</sub>	95,0 dB (A)	97,5 dB (A)
Indeterminazione K <sub>pA</sub>	3,0 dB (A)	3,0 dB (A)
A-livello di potenza sonora ponderata L <sub>WA</sub>	106,0 dB (A)	108,5 dB (A)
Indeterminazione K <sub>WA</sub>	3,0 dB (A)	3,0 dB (A)

#### Usare mezzi per protezione dal rumore!

#### Emissione di vibrazioni \*

Il valore totale delle vibrazioni (la somma vettoriale lungo i tre assi), determinato conformemente alla norma EN 60745:

Frantumazione		
Valore delle vibrazioni emesse a <sub>h,CHeg</sub>	12,7 m/s <sup>2</sup>	16,6 m/s <sup>2</sup>
Indeterminazione K <sub>CHeg</sub>	1,5 m/s <sup>2</sup>	1,5 m/s <sup>2</sup>

\* Le vibrazioni sono state determinate in conformità al punto 6.2.7 della norma EN 60745.

Il livello di vibrazione sopra indicato è stato definito seguendo il metodo di misurazione riportato nella normativa EN 60745 e può essere utilizzato per confrontare tra di loro diversi elettrotensili. Inoltre è adatto per effettuare una stima provvisoria del livello di esposizione.

Il livello di vibrazione si riferisce alle modalità d'uso principali dell'utensile. Tuttavia, se utilizzato per scopi diversi da quelli previsti, con punte poco stabili o senza adeguata manutenzione, il livello di vibrazione può variare. Ciò può aumentare sensibilmente il livello di esposizione durante il lavoro.

Per una precisa definizione del livello di esposizione dovrebbe essere preso in considerazione anche l'arco di tempo in cui l'utensile è spento o funzionante ma non in uso. Ciò può ridurre sostanzialmente il livello di esposizione durante il lavoro.

Utilizzare l'utensile e gli accessori con cura, e maneggiarlo mantenendo le mani calde così da ridurre gli effetti dannosi dell'elevato livello di vibrazioni.

Polvere derivante da materiali come vernici contenenti particelle di piombo, alcuni tipi di legno, minerali e metallo potrebbe essere nociva. Il contatto o l'inalazione di tali polveri potrebbe causare reazioni allergiche e/o problemi al sistema respiratorio dell'utente o di terzi.

Talune tipologie di polveri, come ad esempio quella derivante da legno di quercia o faggio, soprattutto se trattati con additivi e conservanti, sono classificate come cancerogene. Si consiglia di fare trattare materiali contenenti asbesto solo a persone esperte.

- Se possibile collegare sempre la macchina ad un dispositivo di aspirazione.
- Per ottenere un alto grado di asportazione della polvere, usare nel lavoro con questo elettrotensile un aspirapolvere destinato a raccogliere la polvere di legno e/o polvere minerale
- Tenere l'area di lavoro ben pulita e ventilata.
- Si consiglia l'uso di una mascherina o filtro di classe P2.

Osservare le direttive nazionali relative al materiale da lavorare.

# Istruzioni generali di sicurezza nel lavoro con elettroutensili



**AVVERTENZA!** Leggere tutte le istruzioni d'uso e le avvertenze di sicurezza. L'inosservanza delle istruzioni seguenti può causare folgorazioni, incendi e/o gravi danni a persone.

Conservare con cura queste istruzioni.

Il termine "utensile" in tutte le avvertenze successive si riferisce sia agli utensili collegati alla rete elettrica (con cavo di alimentazione) che agli utensili a batteria (senza cavo).

## 1) Area di lavoro

- Mantenere l'area di lavoro pulita e ben illuminata. Le zone buie ed ingombre di oggetti favoriscono incidenti.
- Non utilizzare l'utensile in presenza di liquidi infiammabili, gas o polvere. Le scintille generate potrebbero infiammare polvere e/o vapore.
- Tenere a distanza bambini e terzi durante il funzionamento. Per una distrazione potreste perdere il controllo dell'utensile.

## 2) Sicurezza elettrica

- La spina dell'utensile deve essere adatta alla presa utilizzata. Non modificare la spina in alcun modo. Non utilizzare adattatori con gli utensili collegati a terra. L'impiego di una spina integra ed una presa adatta riduce i rischi di folgorazione.
- Evitare di toccare con il corpo le superfici collegate a terra quali tubi, radiatori, forni e frigoriferi. Il rischio di folgorazione aumenta se il corpo è collegato a terra.
- Non esporre l'utensile alla pioggia e all'umidità. La penetrazione d'acqua nell'utensile aumenta il rischio di folgorazione.
- Non utilizzare il cavo per scopi diversi da quello previsto. Non utilizzare il cavo per trasportare o tirare l'utensile, oppure per staccare la spina dalla presa. Tenere il cavo lontano da fonti di calore, olio, parti appuntite o in movimento. Cavi danneggiati o attorcigliati aumentano il rischio di folgorazione.
- Se l'utensile viene utilizzato all'aperto, usare una prolunga adatta all'uso ester-

no. L'impiego di una prolunga da esterno riduce il rischio di folgorazione.

- Se il lavoro in un ambiente umido è strettamente necessario, utilizzare una presa protetta da dispositivo a corrente residua. Ciò riduce i rischi di scosse.

## 3) Sicurezza personale

- L'uso di elettroutensili richiede attenzione e buon senso. Non utilizzare gli utensili se si è stanchi o sotto l'effetto di droghe, alcol o medicinali. Una breve distrazione può provocare gravi danni alle persone.
  - Munirsi di indumenti e dispositivi di protezione. Indossare sempre occhiali da lavoro. L'uso di dispositivi di protezione tra cui mascherina antipolvere, scarpe antiscivolo, casco e protezioni per l'udito riduce il rischio di danni a persone.
  - Evitare l'accensione accidentale. Accertarsi che l'interruttore sia in posizione "OFF" prima di inserire la spina. Se si trasportano gli utensili con il dito sull'interruttore o si inserisce la spina nella presa con l'interruttore in posizione "ON" aumenta il rischio di incidenti.
  - Togliere tutte le chiavi di regolazione prima di accendere l'utensile. Una chiave lasciata inserita in una parte rotante di un utensile può provocare danni a persone.
  - Non utilizzare l'utensile in condizioni estreme. Mantenere sempre l'equilibrio ed i piedi ben appoggiati a terra. Questo consente un maggior controllo dell'utensile in caso di imprevisti.
  - Indossare un abbigliamento adeguato. Non indossare abiti svolazzanti o gioielli. Tenere capelli, vestiti, e guanti lontani dalle parti in movimento. Abiti svolazzanti, gioielli o capelli potrebbero impigliarsi nelle parti in movimento.
  - In presenza di apparecchiature per il collegamento a dispositivi di aspirazione e raccolta delle polveri, accertarsi che essi siano collegati ed utilizzarli correttamente. L'uso di queste apparecchiature può ridurre i rischi causati dalla polvere.
- ## 4) Uso e manutenzione dell'utensile
- Utilizzare l'utensile più adatto per il lavoro da svolgere. L'impiego dell'utensile giusto migliora la qualità del lavoro e la sicurezza.
  - Non utilizzare l'utensile se non è possibile accenderlo e spegnerlo con l'apposito interruttore. Gli utensili che non

possono essere controllati con l'interruttore sono pericolosi e devono essere riparati.

- c) **Staccare la spina dall'alimentazione di corrente prima di eseguire regolazioni, cambiare accessori o riporre l'utensile.** Osservando queste precauzioni si riduce il rischio di accensione accidentale dell'utensile.
- d) **Riporre gli utensili non utilizzati fuori dalla portata dei bambini e non consentirne l'utilizzo a persone che non conoscono l'utensile o queste istruzioni.** Nelle mani di persone inesperte gli utensili possono diventare pericolosi.
- e) **Sottoporre l'utensile a manutenzione.** Verificare il corretto allineamento di tutte le parti mobili, controllare che non siano grippate e che non vi siano rotture o altri guasti che potrebbero influire sul funzionamento dell'utensile. Far riparare gli utensili danneggiati prima di riutilizzarli. Molti incidenti sono causati da utensili in pessime condizioni.
- f) **Tenere le punte e gli strumenti da taglio puliti ed affilati.** Se sottoposti ad una regolare manutenzione e pulizia consentono di lavorare in modo più preciso e sono maggiormente controllabili.
- g) **Utilizzare l'utensile, gli accessori, gli attrezzi etc. secondo quanto indicato in queste istruzioni nonché tenendo in considerazione le condizioni di lavoro e il lavoro da eseguire.** L'impiego di utensili per scopi diversi da quelli per cui sono stati progettati può dare origine a situazioni pericolose.

## 5) Manutenzione

- a) **Far riparare l'utensile da personale qualificato che utilizzi solo parti di ricambio originali.** In caso contrario la sicurezza dell'utensile potrebbe risultare compromessa.

## Istruzioni supplementari di sicurezza nel lavoro con martelli demolitori

I frammenti che si staccano durante il lavoro con l'elettroutensile ed il tocco a sue parti rotanti, nonché la perdita di controllo, possono causare gravi traumi fisici, mentre il rumore a lavoro continuativo può danneggiare l'udito, se non vengo-

no rispettate le norme di sicurezza e le regole enumerate qui di seguito.



**Usare mezzi per protezione dell'udito nel lavoro con martelli demolitori.** Il rumore intenso durante il lavoro può provocare lesioni all'udito

- **Usare sempre l'impugnatura supplementare fornita con la macchina.** La perdita di controllo può provocare infortunio sul lavoro.



**Usare durante il lavoro mezzi per protezione della vista, per proteggersi da corpuscoli volanti.** Indossare occhiali protettivi.



**Prendere precauzioni contro l'inalazione di polvere.** Alcuni materiali possono contenere ingredienti tossici. Indossare maschera antipolvere. Usare un dispositivo di depolverizzazione, se il suo collegamento all'elettroutensile risulta possibile.

- **Tenere l'elettroutensile soltanto per le superfici isolate da prendere, nell'esecuzione di un'operazione in cui l'accessorio di taglio potrebbe toccare un impianto elettrico nascosto, o il proprio cordone.** Il contatto dell'accessorio di taglio con un conduttore sotto tensione metterà sotto tensione le parti metalliche aperte dell'elettroutensile, e l'operatore subirà una scossa elettrica.
- Non lavorare materiali contenenti amianto. L'amianto è considerato come una sostanza cancerogena.
- Mentre si lavora afferrare sempre la macchina fermamente con ambedue le mani e mantenere una posizione stabile del corpo. L'elettroutensile può essere guidato più sicuramente quando viene tenuto con entrambe le mani.
- Disinnestare la spina dalla presa, prima di effettuare qualsiasi regolazione, aggiustaggio o manutenzione, o ad interruzione dell'alimentazione elettrica.
- Tenere il cavo di alimentazione fuori dal raggio d'azione del martello demolitore.
- Non è ammesso l'impiego dell'elettroutensile con danneggiati cordone o spina. Se il cordone viene danneggiato, la sostituzione deve essere eseguita dal fabbricante o da un suo specialista di centro assistenza, per evitare i pericoli della sostituzione.
- Prima di cominciare il lavoro verificare con un metal detector appropriato, per la presenza di un nascosto impianto elettrico, una conduttura di gas o d'acqua, o cercare aiuto dai rispet-

tivi enti locali. Il contatto della punta con un impianto elettrico nascosto può provocare lesione da scossa elettrica. Il danneggiamento di una conduttura gas può causare un'esplosione. La foratura di una conduttura d'acqua causerà danneggiamento a proprietà, o lesione da scossa elettrica.

- Non usare l'elettrotensile all'aperto quando piove, in un ambiente umido (dopo una pioggia), o in vicinanza di liquidi o gas facilmente infiammabili. Mantenere il posto di lavoro ben illuminato.

## Prendere visione dell'elettrotensile

Prima di cominciare a lavorare con l'elettrotensile, prendere conoscenza di tutte le particolarità operative e condizioni di sicurezza.

Impiegare l'elettrotensile e i suoi accessori unicamente secondo la destinazione d'uso. Ogni altro impiego è espressamente vietato.

1. Anello protettivo
2. Bussola bloccante
3. Commutatore
4. Tasto di disinserimento
5. Levetta di scatto dell'interruttore ON/OFF
6. Regolatore della frequenza di rotazione
7. Indicatore di usura delle spazzole e di sovraccarico
8. Indicatore dei regimi
9. Aperture di ventilazione
10. Aperture di ventilazione
11. Dado di serraggio
12. Impugnatura supplementare

## Istruzioni per l'uso

Questo elettrotensile viene alimentato soltanto di corrente alternata monofase. Avendo l'isolamento doppio conformemente all'EN 60745-1 e all'IEC 60745, esso si può innestare in prese senza piattine di massa. I disturbi radio soddisfano la Direttiva di compatibilità elettromagnetica.

Questo elettrotensile è destinato alla frantumazione in muratura, calcestruzzo o rocce, ad alto rendimento.



L'elettrotensile è munito di un meccanismo di riduzione delle vibrazioni, il quale riduce le vibrazioni con oltre il 50%.

## PRIMA DI COMINCIARE IL LAVORO

- Verificare che la tensione della rete elettrica corrisponda a quella riportata sulla targhetta dati tecnici dell'elettrotensile.
- Verificare in che posizione si trova l'interruttore ON/OFF. Innestare in e disinnestare l'elettrotensile dalla rete soltanto ad interruttore disinserito. Se la spina viene innestata nella presa mentre l'interruttore è nella posizione inserita, l'elettrotensile si metterà subito in moto, circostanza che potrebbe provocare un infortunio.
- Accertarsi dello stato di efficienza del cordone d'alimentazione e della spina. Se il cordone è danneggiato, la sostituzione deve essere eseguita dal fabbricante o da un suo specialista di centro assistenza, per evitare i pericoli della sostituzione.



**ADVERTENCIA:** Disinserire sempre l'elettrotensile e disinnestare la spina dalla presa prima di effettuare qualsiasi impostazione, aggiustaggio o manutenzione.

- Se l'area del lavoro è lontana dalla fonte di alimentazione, usare una prolunga che sia la più corta possibile, con sezione adatta.
- Controllare che l'impugnatura supplementare sia montata correttamente e serrata in maniera affidabile.

## ATTACCO UTENSILE SDS-MAX

Pulire e lubrificare il codolo dell'utensile prima di alloggiarlo nella sede!

Durante la messa dell'utensile trattenere la bussola bloccante 2 nella posizione superiore (anteriore).

Mettere liberamente l'utensile nell'alberino.

Girare l'utensile nell'alberino finché gli alloggiamenti collimino.

Dopo la collimazione degli alloggiamenti, infilare l'utensile in giù fino alla battuta (fino allo scatto distinto del meccanismo di fissaggio). Controllare che l'utensile sia fissato bene, tirandolo fortemente in fuori.

## RIMOZIONE UTENSILE SDS-MAX

Tirare fino in fondo la bussola bloccante 2 ed estrarre l'utensile.

## CAMBIO DELLA POSIZIONE DELLA PUNTA TIPO CESELLO

- mettere l'utensile nella sede come descritto

nel punto "Attacco utensile SDS-max".

- girare il commutatore 3 alla posizione "Cambio della posizione della punta".
- girare la punta a mano alla posizione desiderata.
- girare il commutatore 3 alla posizione "martello", e quindi girare lievemente l'utensile a mano a destra e a sinistra, finché si blocchi.

Si possono ottenere una più lunga durata e maggiore rendimento dell'elettrotensile soltanto con ben affilati utensili per frantumazione e scalpellatura.

## AVVIAMENTO - ARRESTO

- Avviamento: Premere la levetta 5 nella direzione indicata.
- Arresto: Premere il tasto di disinserimento 4 nella direzione indicata.



**ADVERTENCIA:** A temperature basse  $\leq 0^{\circ}\text{C}$  ( $32^{\circ}\text{F}$ ) o se l'elettrotensile non è stato messo in esercizio per lungo tempo (tenuto a magazzino/negoziocasa), è possibile che all'avviamento non ci sia un'azione percussiva, siccome il lubrificante si è addensato. In tale caso mettere in moto l'elettrotensile e lasciarlo funzionare per circa 1,5 minuti a vuoto, per riscaldarsi. Così viene migliorata la lubrificazione e prolungata la durata utile dell'elettrotensile.

## SELEZIONE DELLA FREQUENZA E DELL'ENERGIA DEI COLPI

Girando il regolatore 6 si sceglie l'adatta frequenza ed energia dei colpi a seconda del materiale lavorato. L'elettronica costante mantiene permanenti la frequenza e l'energia dei colpi, senza riguardo al carico, assicurando così un regime uguale nel lavoro. È consigliabile usare i regimi di funzionamento indicati nella tabella.

Campo d'impiego	Posizione del regolatore	Frequenza dei colpi
Intonaco / materiali da costruzione leggeri	A-B	1900-2085 min <sup>-1</sup>
Mattoni / levare piastrelle	C-D	2265-2450 min <sup>-1</sup>
Frantumazione di calcestruzzo	E-G	2630-3000 min <sup>-1</sup>

Girando il regolatore 6 dalla posizione A a F, causa un aumento della frequenza e dell'energia dei colpi. L'indicatore 8 emette una luce verde tremolante.

Con il regolatore 6 girato nella posizione G, l'indicatore 8 emette luce verde continua. Il regime si caratterizza per l'aumentata energia del colpo fino a 9 J.

## IMPUGNATURA SUPPLEMENTARE

Usare sempre l'impugnatura supplementare. Per cambiare la posizione dell'impugnatura, allentare il dado di serraggio 11. Girare l'impugnatura nella posizione più comoda per lavoro, e poi serrarla bene. Non portate la macchina per l'impugnatura supplementare quando essa è allentata.

## CONSIGLI SUL LAVORO

Applicare pressione moderata nel frantumare (all'incirca 100 - 150N). La forte pressione non aumenta la produzione e comporta invece una riduzione della durata utile della macchina. Seguire il grado di smussamento della punta tipo cesello e sostituirla quando si nota una riduzione considerevole del rendimento.

## Manutenzione



**ADVERTENCIA:** Spegner sempre l'elettrotensile e staccare la spina dalla presa prima di effettuare qualsiasi verifica o manutenzione.

## VERIFICA GENERALE

Verificare regolarmente tutti gli elementi di fissaggio e accertarsi che siano saldamente stretti. Nel caso in cui qualche vite si sia allentata, stringerla subito, per evitare situazioni di rischio.

Se il cavo di alimentazione viene danneggiato, la sostituzione va effettuata dal fabbricante o da un suo specialista di centro assistenza tecnica, per ovviare ai pericoli della sostituzione.

### PULIZIA

Per un lavoro sicuro mantenere sempre puliti la macchina e le aperture di ventilazione.

Controllare regolarmente che nella griglia di ventilazione vicino al motore elettrico o intorno ai commutatori non siano penetrati polvere o corpi estranei. Usare una spazzola soffice per rimuovere la polvere accumulata. Per proteggere gli occhi, indossare durante la pulizia occhiali protettivi.

Se la carcassa della macchina necessita di pulizia, strofinarla con un soffice panno umido. Si può usare un detersivo debole.



**ADVERTENCIA:** Non è ammesso l'uso di alcole, benzina o altri solventi. Non adoperare mai preparati attaccanti per la pulizia delle parti in plastica.



**ADVERTENCIA:** Non è ammessa l'entrata di acqua in contatto con la macchina.

**IMPORTANTE!** Per provvedere a un lavoro sicuro con l'elettrotensile e alla sua affidabilità, tutte le attività relative alla riparazione, la manutenzione e la regolazione (ivi incluse la verifica e la sostituzione delle spazzole), vanno effettuate nei centri assistenza autorizzati SPARKY, usando soltanto pezzi di ricambio originali.

## PROTEZIONE ANTIPOLVERE INCORPORATA

L'anello protettivo 1 protegge la sede dell'utensile dalla sporcizia durante il lavoro. Collocando l'utensile, stare attenti di non danneggiare l'anello protettivo.



**ADVERTENCIA:** Sostituire subito l'anello protettivo se diventa guasto!

Per sostituire l'anello protettivo 1, tirare indietro la bussola bloccante 2. Afferrare l'anello protettivo e tirarlo fortemente di traverso in avanti. Mettere sull'alberino, lievemente inclinato, il nuovo anello protettivo, e premerlo saldamente.

## INDICAZIONE "SERVIZI DI MANUTENZIONE"

Quando il diodo elettroluminescente rosso si mette a lampeggiare, e la macchina continua a funzionare normalmente, è necessaria la sostituzione delle spazzole. Dopo approssimativamente 8 ore di esercizio le spazzole si usurano completamente e scatta l'interruttore. La macchina si ferma, e l'indicatore continua a lampeggiare con luce rossa. Portate la macchina in un centro assistenza autorizzato per la sostituzione delle spazzole e manutenzione preventiva.

Se la macchina non funziona senza che sia trascorso il periodo di avvertimento di 8 часа, e il diodo elettroluminescente lampeggia, ciò significa che il motore elettrico è probabilmente guasto. Se non viene emessa nessuna luce e la macchina non funziona, ciò significa che manca alimentazione elettrica alla macchina, o che l'interruttore ON/OFF o il cavo di alimentazione sono danneggiati.

## ISPEZIONE TECNICO-PROFILATTICA

Presentare periodicamente l'elettrotensile in un centro assistenza autorizzato SPARKY per effettuare un'ispezione tecnico-profilattica. Le ispezioni tecnico-profilattiche prolungheranno la vita del vostro elettrotensile.

*Prima ispezione* – dopo circa 70 ore di esercizio.

Si svolge una valutazione del funzionamento della macchina, e se necessario si fa un controllo dell'elettrotensile.

*Seconda ispezione* - dopo circa 140 ore di esercizio, o dopo che le spazzole diventano usurate.

Si svolge una pulizia generale dell'elettrotensile, un'ispezione, e la rettificazione di difetti ormai sorti o potenziali (sostituire spazzole e anelli protettivi).

*Terza ispezione* - dopo circa 250 ore di esercizio, o dopo che le spazzole diventano usurate.

Si svolge una pulizia generale dell'elettrotensile, un'ispezione, e la rettificazione di difetti ormai sorti o potenziali (sostituire spazzole e anelli protettivi).

*Quarta ispezione* - dopo circa 350 ore di esercizio, o dopo che le spazzole diventano usurate.



Si svolge una pulizia generale dell'elettroutensile, un'ispezione, e la rettificazione di difetti ormai sorti o potenziali (sostituire spazzole e anelli protettivi).

## **Garanzia**

---

Il periodo di garanzia per gli utensili SPARKY ha validità a partire dalla data di acquisto ed è conforme alle normative europee.

Non sono coperti da garanzia danni derivanti da usura, sovraccarico o uso improprio.

L'azienda produttrice assicura la sostituzione di tutte le parti non funzionanti in cui si riconoscano difetti di materiale e/o di lavorazione.

Le prestazioni di garanzia saranno erogate solo se la macchina richiesta sarà inviata in condizioni integre al rivenditore o ad un centro di assistenza, accompagnata dallo scontrino fiscale.

## **Ulteriori informazioni**

---

Leggere attentamente tutte le istruzioni prima di iniziare a lavorare con l'utensile.

L'azienda produttrice si riserva il diritto di apportare modifiche tecniche senza preavviso.

Le specifiche tecniche possono variare da paese a paese.

# Contenido

Introducción .....	36
Datos técnicos .....	38
Instrucciones generales de seguridad al operar con herramientas eléctricas .....	39
Instrucciones adicionales de seguridad al operar con martillos demoledores .....	40
Componentes principales de la herramienta eléctrica .....	A/41
Instrucciones para la operación .....	B/41
Mantenimiento .....	43
Garantía .....	45

## DESENVASE

En conformidad con las tecnologías de grandes series generalmente aceptadas, es poco probable que su herramienta eléctrica sea defectuosa o que le falte alguna pieza. Si observa que algo no está en orden, no opere con la herramienta eléctrica hasta que su pieza dañada no haya sido sustituida o su defectuosidad no haya sido eliminada. El incumplimiento de esta recomendación puede conducir a un accidente de trabajo grave.

## ENSAMBLAJE

El martillo de percusión se suministra envasado y completamente ensamblado.

## Introducción

---

La herramienta eléctrica SPARKY que acaba de adquirir superará sus expectativas. Ha sido fabricada en conformidad con las altas normas de calidad de SPARKY que responden a las exigencias más rigurosas del usuario. Su mantenimiento es fácil y es segura a la hora de explotarse; si se usa correctamente, esta herramienta eléctrica le servirá con fiabilidad durante largos años.

### ¡ADVERTENCIA!



Lea con atención e íntegramente este manual de usuario antes de emplear la herramienta eléctrica SPARKY que acaba de adquirir. Preste una especial atención a los textos encabezados por la palabra "Advertencia". Su herramienta eléctrica SPARKY posee muchas prestaciones que facilitarán su trabajo. Al diseñarse esta herramienta eléctrica, se ha prestado una mayor atención a la seguridad, a las prestaciones de explotación y a la fiabilidad que la convierten en una máquina de mantenimiento y explotación fácil.



### ¡No tire la herramienta eléctrica junto con los residuos domésticos!

Los residuos de productos eléctricos no deben recogerse junto con los residuos domésticos. Por favor, recíclelos en los lugares destinados a ello. Póngase en contacto con las autoridades locales o con un representante suyo para informarse respecto al reciclaje.

## PROTECCIÓN DEL MEDIO AMBIENTE



Con miras a la protección del medio ambiente, esta herramienta eléctrica, sus accesorios y su envase deben someterse a un tratamiento adecuado para la reutilización de las materias primas que contienen.

Para facilitar el reciclaje de las piezas fabricadas de materiales artificiales, éstas han sido marcadas de la respectiva forma.

## DESCRIPCIÓN DE LOS SÍMBOLOS

En la placa de datos técnicos de la herramienta eléctrica se han marcado unos símbolos especiales. Éstos brindan una información importante acerca del producto o instrucciones para su uso.



Doble aislamiento de protección adicional.



Nivel garantizado de potencia sonora  $L_{WA}$  cumple los requisitos de la Directiva 2000/14/CE.



Conformidad con las directrices europeas aplicables.



Cumple con las regulaciones de la Unión Aduanera.



Compatibilidad con los requisitos de los documentos normativos ucranianos.




Consulte el manual de usuario.

YYYY-Www Período de producción en que los símbolos variables son:

YYYY – año de producción,  
ww – semana natural consecutiva

K Martillo demoledor.

## Datos técnicos

Modelo	K 615CE	K 920CE
Potencia consumida	1300W	1400W
Frecuencia de las percusiones en marcha en vacío	1900-3000 min <sup>-1</sup>	1000-2350 min <sup>-1</sup>
Regulación electrónica de la frecuencia de las percusiones	sí	sí
Energía de golpe único (EPTA Procedure 05/2009)	9 J	13,5 J
Posiciones del cincel	12	12
Sistema de fijación de la herramienta	SDS-max	SDS-max
Peso (EPTA Procedure 01/2014)	6,6 kg	8,1 kg
Clase de protección (EN 60745-1) 	II	II

### INFORMACIÓN SOBRE EL RUIDO Y LAS VIBRACIONES

Los valores se han medido según la norma EN 60745

#### Emisión de ruido

A-nivel medido de presión sonora L <sub>pA</sub>	95,0 dB (A)	97,5 dB(A)
Indeterminación K <sub>pA</sub>	3,0 dB (A)	3,0 dB (A)
A-nivel medido de potencia sonora L <sub>wA</sub>	106,0 dB (A)	108,5 dB (A)
Indeterminación K <sub>wA</sub>	3,0 dB (A)	3,0 dB (A)

**¡Utilice medios de protección contra el ruido!**

#### Emisión de vibraciones \*

Valor total de las vibraciones (suma vectorial de tres direcciones) determinado según la norma EN 60745:

Desconchado		
Valor de las vibraciones emitidas a <sub>h,CHeg</sub>	12,7 m/s <sup>2</sup>	16,6 m/s <sup>2</sup>
Indeterminación K <sub>CHeg</sub>	1,5 m/s <sup>2</sup>	1,5 m/s <sup>2</sup>

\* Las vibraciones se han determinado según el apartado 6.2.7 de la norma EN 60745.

El nivel de vibraciones indicado en estas instrucciones se ha medido en conformidad con la metodología de ensayo indicada en la norma EN 60745 y puede utilizarse para comparar herramientas eléctricas. El nivel de vibraciones puede utilizarse para una evaluación previa del nivel de impacto.

El nivel de vibraciones declarado se refiere al fin principal con que ha sido concebida la herramienta eléctrica. En los casos cuando la herramienta eléctrica se utiliza con otro propósito, con otros accesorios o si el mantenimiento de la herramienta eléctrica es incorrecto, el nivel de vibraciones puede variar respecto al indicado. En estos casos, el nivel de impacto puede aumentar considerablemente dentro de los límites del período general de operación.

En la evaluación del nivel de impacto de las vibraciones, se debe tomar en consideración también el tiempo durante el cual la herramienta eléctrica está desconectada o conectada, pero no se utiliza. Ello puede reducir considerablemente el nivel de impacto dentro de los límites del período general de operación.

Mantenga la herramienta eléctrica y sus accesorios en buen estado. Procure que sus manos estén calientes durante la operación: ello reducirá el impacto negativo al operar con vibraciones elevadas. El polvo que se desprende al procesar materiales, como pinturas que contienen plomo, algunos tipos de madera, minerales y metales, puede ser nocivo para la salud. El contacto o la aspiración del polvo puede provocar reacciones alérgicas y/o enfermedades de las vías respiratorias al operador o a las personas que se encuentran cerca.

Algunos tipos de polvo, por ejemplo, de roble o de haya, se consideran cancerígenos, sobre todo en combinación con aditivos para el procesamiento de madera (cromato, conservantes). Los materiales que contienen amianto deben procesarse solamente por especialistas.

- Cuando sea posible, utilice la evacuación de polvo.
- Para alcanzar un alto grado de captación de polvo, al operar con esta herramienta eléctrica, utilice una aspiradora destinada a recoger polvo de madera o para polvo de madera y/o polvo mineral.
- Asegure una buena ventilación del lugar de trabajo.
- Se recomienda usar una mascarilla antipolvo de protección con filtro clase P2.

Cumpla las disposiciones vigentes en su país para el procesamiento de los respectivos materiales.

# Instrucciones generales de seguridad al operar con herramientas eléctricas



**ADVERTENCIA!** Lea íntegramente estas advertencias e instrucciones de seguridad. Si no se respetan las advertencias e instrucciones de seguridad, podrá llegar a causarse una avería por la corriente eléctrica, un incendio y/o una lesión grave.

**Guárdense todas las advertencias e instrucciones de seguridad para su uso futuro.**

El término “herramienta eléctrica” empleado en todas las advertencias descritas a continuación se refiere a su instrumento eléctrico alimentado de la red (con un cordón eléctrico) y/o de una máquina eléctrica alimentada por una batería de acumuladores (sin cordón eléctrico).

## 1) Seguridad del puesto de trabajo

- Mantenga limpio y bien iluminado su puesto de trabajo. El desorden y la insuficiente iluminación son premisas para un accidente de trabajo.
- No trabaje con la herramienta eléctrica en un entorno de aire explosivo donde hay líquidos inflamables, gases o polvo. Las herramientas eléctricas producen chispas que pueden incendiar el polvo o el vapor.
- Mantenga a los niños y a las personas extrañas a una distancia cuando esté trabajando con una herramienta eléctrica. Una distracción suya le puede hacer perder el control sobre el instrumento eléctrico.

## 2) Seguridad eléctrica

- Los enchufes de las herramientas eléctricas deben corresponder a la toma de corriente. No cambie el enchufe bajo ningún concepto. No emplee ningún enchufe adaptador en las herramientas eléctricas de puesta a tierra. El uso de enchufes no modificados y su correspondiente toma de corriente reduce el riesgo de una avería causada por la corriente eléctrica.
- Evite el contacto de su cuerpo con la tierra o con superficies con puesta a tierra, como tubos, radiadores, cocinas

y refrigeradores. Si su cuerpo está con puesta a tierra, existe un mayor riesgo de producirse una avería por la corriente eléctrica.

- No exponga la herramienta eléctrica a la lluvia o en un ambiente húmedo. La penetración del agua en el interior del instrumento eléctrico aumenta el riesgo de producirse una avería por la corriente eléctrica.
  - Utilice el cordón eléctrico conforme a su destino. Jamás utilice el cordón eléctrico para trasladar el instrumento eléctrico, tirar o sacar el enchufe de la toma de corriente. Mantenga el cordón eléctrico alejado del calor, de lubricantes, aristas vivas o piezas móviles. Los cordones eléctricos deteriorados o enredados aumentan el riesgo de producirse una avería por la corriente eléctrica.
  - Al trabajar con la herramienta eléctrica a la intemperie, utilice un alargador apropiado para trabajar al aire libre. La utilización de un alargador adecuado para trabajar a la intemperie reduce el riesgo de producirse una avería por la corriente eléctrica.
  - Para interrumpir la alimentación, utilice un dispositivo de seguridad que se pone en funcionamiento por la corriente eléctrica restante de ser imprescindible el empleo de la herramienta eléctrica en un ambiente húmedo. La aplicación de un dispositivo de seguridad reduce el riesgo de producirse una avería por la corriente eléctrica.
- ## 3) Seguridad personal
- Manténgase en alerta, trabaje con mayor atención y sea prudente mientras esté trabajando con la herramienta eléctrica. No utilice la herramienta eléctrica si estuviese cansado bajo el efecto de drogas, alcohol o medicamentos. Un instante de falta de atención al trabajar con un instrumento eléctrico puede provocar un grave accidente de trabajo.
  - Utilice medios de protección personal. Lleve siempre medios para la protección de los ojos. Los medios de protección personal como carreta antipolvo, zapatos seguros con suela antideslizante, casco o protectores auditivos utilizados en condiciones concretas reducen el riesgo de accidentes de trabajo.
  - Evite una puesta en marcha involuntaria. Antes de asir o trasladar el instru-

mento eléctrico, asegúrese de que el interruptor esté desconectado previa su conexión a la fuente de alimentación y/o a la batería de acumuladores. *Puede dar lugar a un accidente de trabajo que la herramienta eléctrica sea trasladada con el dedo sobre el interruptor, o bien la conexión de dicha herramienta a una fuente de alimentación con el interruptor en posición conectada.*

- d) **Retire toda llave de ajuste o llaves de tuercas antes de conectar la herramienta eléctrica.** *Una llave de ajuste o llave de tuercas fijada a una pieza rotatoria puede producir un accidente de trabajo.*
- e) **¡No alargue la mano! Mantenga en todo momento la postura correcta y el equilibrio.** *Ello permitirá un mejor manejo de la herramienta eléctrica en caso de que se presente una situación inesperada.*
- f) **Lleve una ropa de trabajo adecuada. No lleve prendas anchas o joyas. Mantenga su cabello, vestimenta y guantes alejados de las piezas móviles.** *La ropa ancha, las joyas o el pelo largo se podrán enganchar a las piezas en movimiento.*
- g) **Siempre que sea posible, utilice equipos de aspiración o recogepolvos y asegúrese que estén conectados y que se utilicen correctamente.** *El uso de estos dispositivos puede reducir los riesgos que son producto del polvo.*

#### 4) Uso y cuidado de las herramientas eléctricas

- a) **No sobrecargue la herramienta eléctrica. Según el uso, hágase una correcta selección de la herramienta eléctrica.** *La herramienta correctamente seleccionada funciona mejor y con mayor seguridad en el régimen de trabajo para el que ha sido diseñada.*
- b) **No utilice la herramienta eléctrica si el interruptor no conmuta en posición de “conectado” y “desconectado”.** *Toda herramienta eléctrica que no pueda ser manejada con el interruptor es peligrosa y ha de ser reparada.*
- c) **Antes de efectuar cualquier ajuste, saque el enchufe de la red de alimentación, previo cambio de cualquier accesorio o antes de guardar la herramienta.** *Estas medidas de seguridad preventivas reducen el riesgo de poner en funcionamiento la herramienta eléctrica accidentalmente.*
- d) **Guarde las herramientas eléctricas que no hayan sido utilizadas en lugares que**

estén fuera del alcance de los niños, y no permita que trabajen con ella las personas que prestan servicios y desconozcan la herramienta eléctrica y estas instrucciones. *Las herramientas eléctricas son peligrosas en manos de usuarios inexpertos.*

- e) **Mantenga la herramienta eléctrica. Averigüe si sus piezas móviles funcionan correctamente y se mueven con libertad, así como la integridad y el buen estado de las piezas, como también cualquier otra circunstancia que pudiera afectar de forma desfavorable el funcionamiento de la herramienta eléctrica.** *En caso de que esté deteriorada, la herramienta habrá de repararse antes de que se continúe usando. Muchos accidentes se deben al mal mantenimiento de las herramientas eléctricas.*
- f) **Mantenga las herramientas cortantes limpias y afiladas.** *Las herramientas cortantes con bordes afilados y cortantes que tengan un mantenimiento correcto es menos probable que bloqueen y son más fáciles de manejar.*
- g) **Utilice la herramienta eléctrica, los accesorios, las piezas, etc., de acuerdo con estas instrucciones y de la forma prevista para el tipo de herramienta eléctrica concreta, tomando en consideración las condiciones laborales y el trabajo a realizar.** *El uso de la herramienta eléctrica con fines diferentes a aquellos para los que ha sido diseñada puede causar una situación de peligro.*

#### 5) Servicio

- a) **Repare su herramienta eléctrica con un técnico cualificado en reparaciones, utilizando sólo piezas de recambio originales.** *Ello garantizará el mantenimiento y la seguridad de la herramienta eléctrica.*

## Instrucciones adicionales de seguridad al operar con martillos demoledores

---

Los trozos que se desprenden al operar con la herramienta eléctrica y el contacto con sus piezas móviles, así como la pérdida de control, pueden ocasionar graves traumas físicos, y el

ruido durante una operación continua puede causar daños auditivos si no se cumplen las instrucciones de seguridad y las normas enumeradas a continuación.



**Utilice medios de protección del oído al operar con martillos demoledores.** *El ruido intenso durante la operación puede ocasionar daños auditivos.*

- **Utilice siempre el asidero adicional suministrado con la máquina.** *La pérdida de control puede ocasionar un accidente de trabajo.*



**Durante la operación, utilice medios de protección de la vista para protegerse de las partículas volantes.** *Lleve gafas de protección.*



**Tome medidas de prevención contra la aspiración de polvo.** *Es posible que algunos materiales contengan componentes tóxicos. Lleve una mascarilla de protección antipolvo. Utilice un dispositivo para la evacuación del polvo.*

- **Sostenga la herramienta eléctrica solamente por las superficies aisladas de sujeción cuando efectúe una operación en la cual el accesorio cortante puede entrar en contacto con una instalación eléctrica oculta o con su propio cable.** *El contacto del accesorio cortante con un conductor eléctrico bajo tensión pondrá a las partes metálicas abiertas de la herramienta eléctrica bajo tensión, y el operador sufrirá electrocución.*
- No procese materiales que contienen amianto. El amianto se considera una sustancia cancerígena.
- Mientras esté operando, sostenga siempre la máquina fuertemente con ambas manos y mantenga una posición estable del cuerpo. La herramienta eléctrica se maneja con mayor seguridad cuando se sostiene con ambas manos.
- Desconecte el enchufe de la toma de corriente antes de efectuar cualquier ajuste, reparación o mantenimiento, así como al decaer el voltaje de alimentación.
- Mantenga el cable de alimentación fuera del alcance de operación del martillo demoledor.
- No se debe operar cuando el cable de alimentación y el enchufe estén dañados. Si el cable de alimentación está dañado, la sustitución de éste debe efectuarse por el fabricante o por un técnico de servicio suyo para evitar los peligros de la sustitución.

- Antes de empezar a operar, revise con un buscametales apropiado si hay una instalación eléctrica oculta, un gasoducto o una tubería de agua, o bien solicite la ayuda de los respectivos servicios locales. El contacto con una instalación eléctrica oculta puede causar descarga de corriente eléctrica. La avería de un gasoducto puede ocasionar explosión. La perforación de una tubería de agua ocasionará daños materiales o descarga de corriente eléctrica.
- La herramienta eléctrica no debe usarse al aire libre cuando esté lloviendo, en un entorno húmedo (después de llover) o cerca de líquidos y gases fácilmente inflamables. El lugar de trabajo debe estar bien iluminado.

## Componentes principales de la herramienta eléctrica

Antes de empezar a operar con la herramienta eléctrica, infórmese acerca de todas las peculiaridades operativas y de las condiciones de seguridad.

Utilice la herramienta eléctrica y sus accesorios solamente según el fin con que han sido concebidos. Cualquier otra aplicación queda terminantemente prohibida.

1. Anillo protector
2. Collar de cierre
3. Conmutador
4. Botón de desconexión
5. Gatillo del interruptor
6. Regulador de la frecuencia de rotación
7. Indicador del desgaste de los cepillos y de sobrecarga
8. Indicador de los regímenes
9. Orificios de ventilación
10. Orificios de ventilación
11. Tuerca de apriete
12. Asidero adicional

## Instrucciones para la operación

Esta herramienta eléctrica se alimenta solamente mediante voltaje monofásico alterno. Posee doble aislamiento, según las normas EN 60745-1 e IEC 60745, y puede conectarse a tomas de corriente sin bomes de protección. Las radiointerferencias corresponden a la Directiva de



Compatibilidad Electromagnética.

Esta herramienta eléctrica está destinada a desconchar en mampostería, hormigón y rocas con gran productividad.



Esta herramienta eléctrica está provista de un mecanismo para disminuir las vibraciones que reduce las vibraciones con más del 50%.

## ANTES DE EMPEZAR A OPERAR

- Revise si el voltaje de la red eléctrica corresponde al indicado en la placa de características técnicas de la herramienta eléctrica.
- Revise la posición en que se encuentra el interruptor. La herramienta eléctrica debe conectarse y desconectarse de la red de alimentación solamente cuando el interruptor esté desconectado. Si el enchufe se ha introducido en la toma de corriente mientras que el interruptor esté conectado, la herramienta eléctrica se accionará inmediatamente, lo cual es una premisa de accidente.
- Cerciérese del buen estado del cable de alimentación y del enchufe. Si el cable de alimentación está dañado, la sustitución de éste debe efectuarse por el fabricante o por un técnico de servicio suyo para evitar los peligros de la sustitución.



**ADVERTENCIA:** Desconecte siempre la herramienta eléctrica y saque el enchufe de la toma de corriente antes de efectuar cualquier ajuste, servicio o mantenimiento.

- Si la zona de operación está alejada de la fuente de alimentación, utilice un prolongador lo más corto posible de sección apropiada.
- Revise si el asidero adicional ha sido colocado correctamente y si ha sido atiesado de forma segura.

## PARA COLOCAR UNA HERRAMIENTA SDS-MAX

¡Limpie y lubrique la cola de la herramienta antes de introducirla en la caja!

En el momento de introducir la herramienta, el collar de cierre 2 debe retenerse en posición superior (delantera).

Coloque la herramienta libremente en el husillo.

Haga girar la herramienta en el husillo hasta que las estrías coincidan.

Después de que las estrías hayan coincidido, la herramienta se introduce hacia abajo hasta el tope (hasta oírse el chasquido claro del mecanismo de fijación). Revise si la herramienta ha sido fijada correctamente, tirándola fuertemente hacia afuera.

## PARA RETIRAR LA HERRAMIENTA SDS-MAX

El collar de cierre (2) debe tirarse hacia atrás, hasta el final, y la herramienta debe sacarse.

## CAMBIO DE LA POSICIÓN DEL CINCEL

- La herramienta se introduce en la caja, como se ha descrito en el apartado "Para colocar una herramienta SDS-max".

- El conmutador (3) debe hacerse girar a la posición "Cambio de la posición del cincel".

- La herramienta se debe girar manualmente hasta la posición deseada.

- El conmutador (3) se debe girar a la posición "martillo", y, posteriormente, la herramienta se debe girar ligeramente con la mano hacia la izquierda y hacia la derecha hasta cerrarse.

Se pueden alcanzar una mayor duración de servicio de la herramienta eléctrica y una alta productividad únicamente cuando las herramientas de desconchado y cincelado estén bien afiladas.

## CONEXIÓN – DESCONEJÓN

- Conexión: El gatillo (5) se aprieta en el sentido indicado.
- Desconexión: El botón de desconexión (4) se aprieta en el sentido indicado.



**¡ADVERTENCIA!** En temperaturas bajas  $\leq 0^{\circ}\text{C}$  ( $32^{\circ}\text{F}$ ) o en caso de que la herramienta eléctrica no haya funcionado durante largo tiempo (haya sido guardada en un depósito/almacén/hogar), es posible que al conectarse no tenga acción de percusión, ya que la lubricación se ha espesado. En este caso, conecte y deje que la herramienta eléctrica funcione alrededor de 1,5 minutos en marcha en vacío para que se caliente. Así mejorará la lubricación y se prolongará la vida de la herramienta eléctrica.

## SELECCIÓN DE LA FRECUENCIA Y LA ENERGÍA DE LAS PERCUSIONES

Al girar el regulador (6), se seleccionan la frecuencia y la energía apropiadas de las percusiones, según el material que se está procesando. La electrónica constante mantiene la frecuencia y la energía de las percusiones permanentes, independientemente de la carga, garantizándose así un régimen uniforme a la hora de operar. Se recomienda usar los regímenes de operación indicados en la tabla.

Área de aplicación	Posición del regulador	Frecuencia de las percusiones
Enlucido / materiales de construcción ligeros	A-B	1900-2085 min <sup>-1</sup>
Ladrillos / Desconchado de azulejos	C-D	2265-2450 min <sup>-1</sup>
Desconchado de hormigón	E-G	2630-3000 min <sup>-1</sup>

La rotación del regulador (6) desde la posición A hasta F provoca un aumento de la frecuencia y de la energía de las percusiones. El indicador (8) se ilumina con luz verde parpadeante. Cuando el regulador (6) se ha girado a la posición G, el indicador (8) se ilumina con luz verde constante. El régimen se caracteriza con un aumento de la energía de la percusión hasta 9 J.

### ASIDERO ADICIONAL

Utilice siempre el asidero adicional. Para cambiar la posición del asidero, afloje la tuerca de apriete (11). Gire el asidero a la posición de operación más cómoda, atiesándola bien posteriormente. No lleve la máquina del asidero adicional cuando esté aflojado.

### RECOMENDACIONES AL OPERAR

Aplique una presión moderada al desconchar (aproximadamente 100 - 150N). La gran presión no eleva la productividad y conduce a la reducción de la vida de la máquina. Observe el grado de obturación del cincel; éste debe cambiarse cuando se detecte una reducción significativa de la productividad.

## Mantenimiento



**ADVERTENCIA:** Desconecte siempre la herramienta eléctrica y saque el enchufe de la toma de corriente antes de efectuar cualquier revisión o mantenimiento.

### REVISIÓN GENERAL

Revise regularmente todos los elementos de entibación y cerciórese de que hayan sido atiesados fuertemente. En caso de que alguno de los tornillos se haya aflojado, atieselo inmediatamente para evitar situaciones de riesgo. Si el cable de alimentación está dañado, la sustitución de éste debe efectuarse por el fabricante o por un técnico de servicio suyo para evitar los peligros de la sustitución.

### LIMPIEZA

Para una operación segura, mantenga la máquina y los orificios de ventilación siempre limpios. Revise regularmente que en la rejilla de ventilación, cerca del motor eléctrico o en torno a los conmutadores no se hayan infiltrado polvo o cuerpos externos. Utilice un cepillo suave para retirar el polvo acumulado. Para proteger sus ojos, lleve gafas de protección durante la limpieza.

Si el cuerpo de la máquina necesita limpieza, límpielo con un paño suave y húmedo. Puede usarse un detergente de limpieza ligero.



**ADVERTENCIA:** No se deben usar alcohol, gasolina ni otros disolventes. No utilice nunca detergentes corrosivos para limpiar las piezas de plástico.



**ADVERTENCIA:** El agua no debe entrar en contacto con la máquina.

**¡IMPORTANTE!** Para garantizar una operación segura con la herramienta eléctrica y su fiabilidad, todas las actividades de reparación, mantenimiento y regulación (incluidas la revisión y la sustitución de los cepillos) deben efectuarse en los centros de servicio autorizados de SPARKY, utilizando solamente piezas de recambio originales.

## PROTECCIÓN ANTIPOLVO INCORPORADA

El anillo de protección (1) protege la caja de la herramienta de que no se ensucie durante la operación. Al colocar la herramienta, procure que no se dañe el anillo protector.



**ADVERTENCIA:** ¡Sustituya inmediatamente el anillo protector si está dañado!

Para sustituir el anillo protector (1), tire hacia atrás el collar de cierre (2). Sujete el anillo protector y tirelo fuerte y oblicuamente hacia adelante. Coloque en el husillo el nuevo anillo protector, levemente inclinado, y apriételo fuertemente.

## INDICACIÓN “MANUTENCIÓN DE SERVICIO”

Cuando el diodo luminiscente rojo empieza a parpadear y la máquina sigue funcionando normalmente, es necesario cambiar los cepillos.

Después de 8 horas de funcionamiento, aproximadamente, los cepillos se desgastan por completo y se activa el interruptor.

La máquina se detiene y el indicador continúa parpadeando con luz roja. Lleve la máquina a un centro de servicio autorizado para cambiar los cepillos y efectuar una inspección preventiva.

Si la máquina no funciona sin haber transcurrido el período de advertencia de 8 horas y el diodo luminiscente rojo parpadea, ello significa que el motor eléctrico probablemente esté dañado.

Si no hay ninguna indicación de luz y la máquina no funciona, ello significa que la alimentación no llega hasta la máquina o que el interruptor o el cable de alimentación están dañados.

## INSPECCIÓN PREVENTIVA

Periódicamente, la herramienta eléctrica se debe llevar al centro de servicio autorizado de SPARKY para que se efectúe una inspección preventiva. Las inspecciones preventivas prolongarán la vida de su herramienta eléctrica.

*Primera inspección:* al cabo de 70 horas de operación, aproximadamente. Se hace una evaluación del funcionamiento de la máquina y, de ser necesario, se hace una inspección de la herramienta eléctrica.

*Segunda inspección:* al cabo de 140 horas de operación, aproximadamente, o bien después de que se hayan desgastado los cepillos. Se practica una limpieza total de la herramienta eléctrica, la revisión y la eliminación de los defectos que han surgido o los potenciales (se cambian los cepillos y los anillos de junta).

*Tercera inspección:* al cabo de 250 horas de operación, aproximadamente, o bien después de que se hayan desgastado los cepillos. Se practica una limpieza total de la herramienta eléctrica, la revisión y la eliminación de los defectos que han surgido o los potenciales (se cambian los cepillos y los anillos de junta).

*Cuarta inspección:* al cabo de 350 horas de operación, aproximadamente, o bien después de que los cepillos se hayan desgastado. Se practica una limpieza total de la herramienta eléctrica, la revisión y la eliminación de los defectos que han surgido o los potenciales (se cambian los cepillos y los anillos de junta).

## **Garantía**

---

El periodo de garantía de las herramientas SPARKY aparece indicado en la hoja de garantía.

Los daños debido a llevar ropa normal, a sobrecargas o manejo indebido se excluirán de la garantía.

Los daños debido al uso de materiales defectuosos, así como a defectos en la hechura serán subsanados libres de gastos por medio de sustitución o reparación.

Se reconocerán las quejas por herramientas SPARKY defectuosas si la máquina se devuelve al distribuidor o si se entrega al servicio autorizado de garantía sin desmontar, en su estado inicial.

## **Notas**

---

Lea atentamente todo el manual de usuario antes de utilizar este producto.

El fabricante se reserva el derecho a cambiar las especificaciones sin previo aviso.

Las especificaciones pueden ser distintas de país a país.

## Conteúdo

Introdução .....	46
Dados técnicos .....	48
Instruções gerais de segurança de trabalho com instrumentos eléctricos .....	49
Instruções adicionais de segurança de trabalho com martelos de percussão .....	50
Conhecimento do instrumento eléctrico .....	A/51
Instruções para o trabalho .....	B/51
Manutenção .....	53
Garantia .....	54

### DESEMBALAGEM

De acordo com as tecnologias de produção geralmente utilizadas, é pouco provável o novo instrumento eléctrico que você adquiriu ser ineficiente ou lhe faltar alguma peça. Mesmo assim, se você verificar que qualquer coisa não está bem, não trabalhe com o instrumento, enquanto a peça ineficiente não for substituída, ou a imperfeição não ficar eliminada. O não seguimento desta recomendação é capaz de provocar um acidente de trabalho grave.

### MONTAGEM

O martelo perfurador, embalado em mala, fornece-se completamente montado.

## Introdução

O novo instrumento eléctrico SPARKY que adquiriu vai ultrapassar as suas expectativas. Ele foi fabricado de acordo com os mais elevados padrões de qualidade da SPARKY, os quais vão de encontro com as exigências mais rigorosas do consumidor. Fácil de manutenção e seguro durante a utilização, sendo correctamente manipulado, este instrumento eléctrico servir-lhe-á fielmente durante muitos anos.

### ATENÇÃO!



Leia atentamente toda a instrução para o uso, antes de começar a trabalhar com o seu novo instrumento eléctrico SPARKY. Preste especial atenção aos textos que começam com a palavra "Atenção". O seu instrumento eléctrico SPARKY possui qualidades que hão de facilitar o seu trabalho. Ao ser fabricado este instrumento eléctrico, maior atenção foi prestada à segurança, às qualidades de exploração e à fiabilidade, as quais fazem dele um instrumento fácil de manutenção e de exploração.



### **Não deitar o instrumento eléctrico para o lixo comum!**

Os resíduos de aparelhos eléctricos não se devem misturar com o lixo comum. Mande-os para reciclagem nos lugares destinados a isso. Ponha-se em contacto com as autoridades locais ou com um representante para consultar a forma de reciclagem.

### PROTECÇÃO DO MEIO AMBIENTE



Visando a protecção do meio ambiente, o instrumento eléctrico, os seus acessórios e embalagem têm de ser submetidos a uma adequada reelaboração para serem novamente utilizadas as matérias primas contidas neles.

Para facilitar a reciclagem, as peças feitas de materiais sintéticos levam a respectiva denotação.

## DESCRIÇÃO DOS SÍMBOLOS

Sobre a chapa com os dados do instrumento eléctrico estão denotados os símbolos especiais que fornecem importante informação sobre o artefacto ou recomendações para o seu uso.



Duplo isolamento para protecção adicional.



Nível garantido de potência sonora  $L_{WA}$  em conformidade com a Directriz 2000/14/EC.



Conformidade com as directrizes europeias aplicáveis.



Está conforme com as exigências dos regulamentos da União Alfandegária.



De acordo com os critérios ucranianos de segurança.



Conheça a instrução para a exploração


YYYY-Www Período de fabrico, onde os símbolos variáveis são:

YYYY – ano de fabrico,

ww –a respectiva semana corrente do calendário

K Martelo de percussão.

## Dados técnicos

Modelo	K 615CE	K 920CE
Potência consumida	1300W	1400W
Frequência dos golpes em marcha nominal	1900-3000 min <sup>-1</sup>	1000-2350 min <sup>-1</sup>
Regulamento electrónico da frequência dos impactos	sim	sim
Força de impactos individuais (EPTA procedimento 05/2009)	9 J	13,5 J
Posição do cinzel	12	12
Fixação da ferramenta	SDS-max	SDS-max
Peso (EPTA procedimento 01/2014)	6,6 kg	8,1 kg
Classe de segurança (EN 60745-1) 	II	II

### INFORMAÇÃO SOBRE RUÍDO E VIBRAÇÕES

Os valores foram medidos conforme EN 60745.

#### Produção de ruído:

A-nível medido de pressão sonora L <sub>pA</sub>	95,0 dB (A)	97,5 dB(A)
Indefinição K <sub>pA</sub>	3,0 dB (A)	3,0 dB (A)
A-nível medido de potência sonora L <sub>wA</sub>	106,0 dB (A)	108,5 dB (A)
Indefinição K <sub>wA</sub>	3,0 dB (A)	3,0 dB (A)

#### Utilize meios de protecção do ruído!

#### Produção de vibrações \*

Valor global das vibrações (suma vectorial pelos três eixos), determinada conforme EN 60745

Demolição		
Valor das vibrações produzidas a <sub>r,CHeg</sub>	12,7 m/s <sup>2</sup>	16,6 m/s <sup>2</sup>
Indefinição K <sub>CHeg</sub>	1,5 m/s <sup>2</sup>	1,5 m/s <sup>2</sup>

\* As vibrações são determinadas conforme o p. 6.2.7 de EN 60745.

O nível das vibrações assinalado neste manual foi medido de acordo com a metodologia de experimentação indicada em EN 60745 e pode ser utilizada para a comparação de instrumentos eléctricos. O nível das vibrações pode-se utilizar para a avaliação prévia do grau do efeito. O nível das vibrações declarado refere-se à aplicação principal do aparelho eléctrico. Caso o instrumento seja utilizado com outro propósito, com outros acessórios ou sem a manutenção indispensável,

O nível das vibrações pode variar significativamente do declarado. Nesses casos o grau do efeito pode aumentar significativamente no período completo do trabalho. Ao avaliar o grau do efeito das vibrações, tem de se considerar o tempo em que o instrumento eléctrico esteve desligado ou ligado mas sem trabalhar. Isto pode diminuir consideravelmente o grau do efeito nos marcos do período completo do trabalho.

Mantenha o instrumento e os acessórios em bom estado. Procure ter as mãos quentes durante o trabalho – assim vai diminuir o efeito negativo do trabalho com vibrações elevadas. O pó emanado no processamento de materiais tais como tintas que contêm chumbo, certos tipos de madeira, minerais e metais, pode ser nocivo à saúde. O contacto ou a aspiração deste pó pode causar reacções alérgicas e/ou doenças das vias respiratórias do operário ou de pessoas que se encontram perto. Alguns tipos de pó, por exemplo, de carvalho ou de faia, consideram-se carcinogénicos, sobretudo, em combinação com suplementos para o processamento da madeira (cromato, conservantes). Material que contem amianto tem de ser processado só por especialistas.

- Quando for possível, utilize sistemas para o desvio do pó.
- Para atingir maior grau de captação do pó, ao trabalhar com o instrumento, utilize aspirador de pó.
- Garanta a boa ventilação do local de trabalho.
- Recomenda-se o uso de máscara anti pó com filtro da classe P2.

Observe as regras vigentes no Seu país quanto ao processamento dos respectivos materiais.



# Instruções gerais para a segurança de trabalho com Instrumentos eléctricos



**ATENÇÃO!** Devem ser lidas todas as indicações de advertência e todas as instruções. O desrespeito das advertências e instruções apresentadas abaixo pode causar choque eléctrico, incêndio e/ou graves lesões.

Guarde bem todas as advertências e instruções para futura referência.

O termo “Ferramenta eléctrica” utilizado a seguir nas indicações de advertência, refere-se a ferramentas eléctricas operadas com corrente de rede (com cabo de rede) e a ferramentas eléctricas operadas com bateria (sem cabo de rede).

## 1) Segurança da área de trabalho

- Mantenha a sua área de trabalho sempre limpa e bem iluminada. Desordem ou áreas de trabalho insuficientemente iluminadas podem levar a acidentes.
- Não trabalhar com a ferramenta eléctrica em áreas com risco de explosão, nas quais se encontrem líquidos, gases ou pós inflamáveis. Ferramentas eléctricas produzem faíscas, que podem inflamar pós ou vapores.
- Manter crianças e outras pessoas afastadas da ferramenta eléctrica durante a utilização. No caso de distração é possível que perca o controlo sobre o aparelho.

## 2) Segurança eléctrica

- A ficha de conexão da ferramenta eléctrica deve caber na tomada. A ficha não deve ser modificada de maneira alguma. Não utilizar uma ficha de adaptação junto com ferramentas eléctricas protegidas por ligação a terra. Fichas não modificadas e tomadas apropriadas reduzem o risco de um choque eléctrico.
- Evitar que o corpo possa entrar em contacto com superfícies ligadas a terra, como tubos, aquecimentos, fogões e frigoríficos. Há um risco elevado devido a choque eléctrico, se o corpo estiver ligado a terra.

- Manter o aparelho afastado de chuva ou humidade. A infiltração de água numa ferramenta eléctrica aumenta o risco de choque eléctrico.
- Não deverá utilizar o cabo para outras finalidades. Jamais utilizar o cabo para transportar a ferramenta eléctrica, para pendurá-la, nem para puxar a ficha da tomada. Manter o cabo afastado de calor, óleo, cantos afiados ou partes do aparelho em movimento. Cabos danificados ou emaranhados aumentam o risco de um choque eléctrico.
- Se trabalhar com uma ferramenta eléctrica ao ar livre, só deverá utilizar cabos de extensão apropriados para áreas exteriores. A utilização de um cabo de extensão apropriado para áreas exteriores reduz o risco de um choque eléctrico.
- Se não for possível evitar o funcionamento da ferramenta eléctrica em áreas húmidas, deverá ser utilizado uma disjuntor de corrente de avaria. A utilização de um disjuntor de corrente de avaria reduz o risco de um choque eléctrico.

## 3) Segurança de pessoas

- Esteja atento, observe o que está a fazer e tenha prudência ao trabalhar com a ferramenta eléctrica. Não utilizar uma ferramenta eléctrica quando estiver fadigado ou sob a influência de drogas, álcool ou medicamentos. Um momento de descuido ao utilizar a ferramenta eléctrica, pode levar a lesões graves.
- Utilizar equipamento de protecção pessoal e sempre óculos de protecção. A utilização de equipamento de protecção pessoal, como máscara de protecção contra pó, sapatos de segurança antiderrapantes, capacete de segurança ou protecção auricular, de acordo com o tipo e aplicação da ferramenta eléctrica, reduz o risco de lesões.
- Evitar uma colocação em funcionamento involuntária. Assegure-se de que a ferramenta eléctrica esteja desligada, antes de conectá-la a alimentação de rede e/ou ao acumulador, antes de levantá-la ou de transportá-la. Se tiver o dedo no interruptor ao transportar a ferramenta eléctrica ou se o aparelho for conectado a alimentação de rede enquanto estiver ligado, poderão ocorrer acidentes.
- Remover ferramentas de ajuste ou chaves de boca antes de ligar a ferramenta eléctrica. Uma ferramenta ou chave que

se encontre numa parte do aparelho em movimento pode levar a lesões.

- e) **Evite uma posição anormal. Mantenha uma posição firme e mantenha sempre o equilíbrio.** Desta forma é mais fácil controlar a ferramenta eléctrica em situações inesperadas.
- f) **Usar roupa apropriada. Não usar roupa larga nem jóias. Mantenha os cabelos, roupas e luvas afastadas de partes em movimento.** Roupas frouxas, cabelos longos ou jóias podem ser agarrados por peças em movimento.
- g) **Se for possível montar dispositivos de aspiração ou de recolha, assegure-se de que estejam conectados e utilizados correctamente.** A utilização de uma aspiração de pó pode reduzir o perigo devido ao pó.

#### 4) Utilização e manuseio cuidadoso de ferramentas eléctricas

- a) **Não sobrecarregue o aparelho. Utilize a ferramenta eléctrica apropriada para o seu trabalho. É melhor e mais seguro trabalhar com a ferramenta eléctrica apropriada na área de potência indicada.**
- b) **Não utilizar uma ferramenta eléctrica com um interruptor defeituoso. Uma ferramenta eléctrica que não pode mais ser ligada nem desligada, é perigosa e deve ser reparada.**
- c) **Puxar a ficha da tomada e/ou remover o acumulador antes de executar ajustes no aparelho, de substituir acessórios ou de guardar o aparelho. Esta medida de segurança evita o arranque involuntário da ferramenta eléctrica.**
- d) **Guardar ferramentas eléctricas não utilizadas fora do alcance de crianças. Não permita que pessoas que não estejam familiarizadas com o aparelho ou que não tenham lido estas instruções, utilizem o aparelho. Ferramentas eléctricas são perigosas se forem utilizadas por pessoas inexperientes.**
- e) **Tratar a ferramenta eléctrica com cuidado. Controlar se as partes móveis do aparelho funcionam perfeitamente e não emperram, e se há peças partidas ou danificadas que possam prejudicar o funcionamento da ferramenta eléctrica. Permitir que peças danificadas sejam reparadas antes da utilização. Muitos acidentes têm como causa, a manutenção insuficiente de ferramentas eléctricas.**
- f) **Manter as ferramentas de corte afiadas**

**e limpas.** Ferramentas de corte cuidadosamente tratadas e com cantos de corte afiados emperram com menos frequência e podem ser conduzidas com maior facilidade.

- g) **Utilizar a ferramenta eléctrica, acessórios, ferramentas de aplicação, etc. conforme estas instruções. Considerar as condições de trabalho e a tarefa a ser executada. A utilização de ferramentas eléctricas para outras tarefas a não ser as aplicações previstas, pode levar a situações perigosas.**

#### 5) Serviço

- a) **Só permita que o seu aparelho seja reparado por pessoal especializado e qualificado e só com peças de reposição originais. Desta forma é assegurado o funcionamento seguro do aparelho.**

## Instruções adicionais de segurança de trabalho com martelos de percussão

As aparas ou limalhas que saltam do aparelho ou da peça processada, bem como o contacto com as suas peças giratórias ou a perda de controlo podem causar traumas físicos graves, ao passo que o barulho ouvido durante trabalho prolongado pode causar danos auditivos, pelo qual é preciso ter em conta as regras de segurança a seguir enumeradas.



**Utilize meios de protecção auricular ao trabalhar com martelos de percussão. O barulho intenso durante o trabalho pode causar danos auditivos.**

- **Utilize sempre o punho adicional fornecido com a máquina. A perda de controlo pode causar acidente de trabalho.**



**Durante o trabalho utilize meios de protecção da vista para se proteger de partículas que voam. Use óculos protectores.**



**Use meios de protecção contra a aspiração de pó. Alguns materiais podem conter elementos tóxicos. Use máscara anti pó. Utilize dispositivos de desvio do pó.**

- **Pegue no instrumento só pelas superfícies isoladas quando está a realizar qualquer operação na qual a peça cortante pode chegar a ter contacto com instalação eléctrica escondida ou com o cabo eléctrico.** *O contacto da peça cortante com cabo sob tensão vai colocar as superfícies metálicas descobertas do instrumento sob tensão e o operário pode receber choque eléctrico.*
- Não processe materiais que contêm amianto. O amianto considera-se material cancerígeno.
- Durante o trabalho pegue na máquina bem com as duas mãos e mantenha o corpo em posição estável. O instrumento maneja-se melhor com as duas mãos.
- Desligue o pino da tomada antes de realizar quaisquer consertos, reparações ou manutenção, bem como nos casos de queda da corrente eléctrica.
- Mantenha o cabo alimentador fora do alcance operacional do instrumento.
- Não se admite trabalhar com o cabo alimentador ou o pino de tomada avariados. Se o cabo de alimentação está danificado, a sua substituição tem de se fazer pelo produtor ou por especialista de serviço autorizado por ele para evitar os perigos decorrentes dessa operação.
- Antes de iniciar o trabalho, verifique com um explorador de metais apropriado a presença de instalação eléctrica, gasoduto ou aqueduto escondidos. Procure a colaboração dos respectivos serviços competentes. O contacto com instalação eléctrica escondida pode causar choque eléctrico. Uma avaria no gasoduto pode provocar explosão. A perfuração de aqueduto pode causar danos ao imóvel ou provocar choque eléctrico.
- O instrumento não pode ser utilizado ao ar livre quando chover, em ambiente húmido (depois de chuva) ou perto de líquidos ou gases inflamáveis. O posto de trabalho tem de ser bem iluminado. O local de trabalho tem de ser bem iluminado.

## Conhecimento do instrumento eléctrico

Antes de começar a trabalhar com o instrumento eléctrico, conheça todas as suas especificidades operacionais e as condições de segurança. Use o aparelho e os seus acessórios só para o

que forem destinados. Qualquer outra aplicação é terminantemente proibida.

1. Anel de protecção
2. Bloqueio do encaixe
3. Botão selector
4. Botão para desligar
5. Gatilho de bloqueio
6. Regulador da frequência do número de percussões
7. Indicador de desgaste das escovas e sobrecarga
8. Indicador dos modos
9. Aberturas de ventilação
10. Aberturas de ventilação
11. Porca de aperto
12. Punho adicional

## Instruções para o trabalho

Este modelo de aparelho eléctrico alimenta-se unicamente por tensão alternada monofásica. Pode-se juntar a tomadas sem clips de segurança, pois tem duplo isolamento conforme EN 60745-1 и IEC 60745. As radio perturbações correspondem à Directriz sobre a compatibilidade de electromagnética.

O aparelho destina-se a demolição em alvenaria, betão e rochas com grande produtividade.



O aparelho está provido de mecanismo que diminui as vibrações em mais de 50%.

### ANTES DE COMEÇAR O TRABALHO

- Verifique se a tensão na rede eléctrica corresponde à que está marcada na placa das características técnicas do instrumento.
- Verifique em que posição se encontra o interruptor. O aparelho tem de ser ligado e desligado da rede só com o interruptor desligado. Se o tentar ligar à rede com o interruptor ligado, o aparelho accionar-se-á imediatamente, sendo isso uma premissa para acidente.
- Certifique-se das boas condições do cabo alimentador e da ficha. Se o cabo alimentador for defeituoso, a substituição pode ser feita só pelo produtor ou pelo seu especialista na oficina competente, para assim evitar os eventuais riscos deste procedimento.



**ADVERTÊNCIA:** Sempre desligue o aparelho e retire a ficha da rede quando vai efectuar qualquer conserto, assistência ou manutenção.

- Caso a zona de trabalho esteja longe da fonte de alimentação, utilize extensão o mais curto possível de secção adequada.
- Verifique se o punho adicional está correctamente colocado e bem apertado.

## COLOCAÇÃO DE ACESSÓRIOS SDS-MAX

Limpe e lubrifique a cauda do acessório antes de colocá-lo no encaixe! Durante a colocação do acessório o bloqueio do encaixe (2) tem de ficar na posição superior (dianteira). Coloque livremente o instrumento no fuso.

Gire o instrumento dentro do fuso até coincidirem as fendas. Depois de coincidirem as fendas, o instrumento insere-se para baixo até que haja resistência (até se ouvir o clique claro do mecanismo fixador). Verifique se o acessório está bem afixado puxando com força para fora.

## RETIRAR ACESSÓRIOS SDS-MAX

O bloqueio do encaixe (2) puxa-se para trás até ao fim e o acessório retira-se.

## MUDANÇA DA POSIÇÃO DO CINZEL

- Coloca-se o instrumento no encaixe tal como se descreve no ponto “colocação de acessório SDS-MAX”

Aplicação	Posição do regulador	Numero de percussão
Trabalhar em rebocos / materiais de construção leves	<b>A-B</b>	1900-2085 min <sup>-1</sup>
Soltar ladrilhos / trabalhar em tijolos	<b>C-D</b>	2265-2450 min <sup>-1</sup>
Trabalhar em betão	<b>E-G</b>	2630-3000 min <sup>-1</sup>

- O botão selector (3) dá a volta para a posição “Mudança da posição do cinzel”.
- O instrumento dá as voltas manualmente até à posição desejada.
- O botão selector (3) gira para a posição “martelo”, depois do qual o acessório dá a volta levemente com a mão para a esquerda e para a direita até ficar travado. Maior durabilidade de instrumento e maior produtividade podem ser

garantidas só com os instrumentos bem afiados para demolição.

## ARRANCO – PARAGEM

- Arranque: O gatilho de bloqueio (5) aperta-se no sentido indicado.
- Paragem: O botão para desligar (4) aperta-se no sentido indicado.



**ADVERTÊNCIA:** Sendo as temperaturas baixas ≤ 0°C (32°F) ou quando o instrumento tem ficado sem trabalhar durante muito tempo (esteve guardado em armazém/loja/casa), é possível que ao arrancar não tenha efeito de percussão, pois o lubrificante pode ficado comprimido. Nesse caso, ligue o instrumento e deixe-o trabalhar ao ralenti por volta de 1,5 minuto para aquecer. Deste modo melhora a lubrificação e prolonga-se a vida do instrumento.

## ESCOLHA DA FREQUÊNCIA E ENERGIA DOS IMPACTOS

Girando o regulador da frequência do numero de percussão (6) escolhe-se a frequência e energia adequadas dos impactos de acordo com o material processado. E electrónica constante mantém a frequência e a energia constantes, independentemente da carga, o qual garante o modo uniforme durante o trabalho. É recomendável aplicar os modos de trabalho indicados no quadro:

Girando o regulador da frequência do numero de percussão (6) da posição A até F provoca-se aumento da frequência e da energia dos impactos. O indicador dos modos (8) acende a luz verde intermitente. Quando o regulador da frequência do número de percussões (6) fica na posição G o indicador dos modos (8) mantém a luz verde constante. O regime caracteriza-se pela energia aumentada do impacto até 9 J.

## PUNHO ADICIONAL

---

Utilize sempre o punho adicional. Para alterar a posição do punho, afrouxe a porca de aperto (11). Gire o punho para a posição operacional mais cómoda e depois aperte-a bem. Não transporte o aparelho pelo punho adicional quando ele está afrouxado.

## RECOMENDAÇÕES PARA O TRABALHO

---

Aplique uma pressão moderada na demolição (aproximadamente 100 - 150N). A maior pressão não aumenta a produtividade, mas, sim, reduz a vida do aparelho. Observe o grau de embotamento do cinzel e substitua-lo quando a produtividade tem diminuído sensivelmente.

## Manutenção

---



**ADVERTÊNCIA:** Desligue sempre o instrumento da corrente quando vai efectuar qualquer revisão ou manutenção

## REVISÃO GERAL

---

Verifique regularmente todos os elementos de suporte e verifique se estão bem apertados. Caso algum parafuso tenha ficado afrouxado, aparafuse-o o imediatamente para evitar situações de risco.

Se o cabo alimentador estiver danificado, a substituição tem de se fazer pelo produtor ou seu especialista autorizado de oficina de serviço, para evitar os perigos da substituição.

## LIMPEZA

---

Para um trabalho seguro mantenha sempre limpo o instrumento e as aberturas de ventilação. Verifique regularmente se na grelha da ventilação perto do motor eléctrico e dos comutadores não tenham penetrado pó ou corpos alheios. Use uma escova fina para remover o pó acumulado. Para proteger os olhos durante a limpeza use óculos protectores. Caso o corpo do instrumento precise de limpeza, use um pano macio húmido. Pode usar também algum detergente fraco..



**ADVERTÊNCIA:** Não se admite o uso de álcool, gasolina ou outros solventes. Nunca use substâncias corrosivas para limpar as partes de plástico.



**ADVERTÊNCIA:** Não se admite a entrada de água em contacto com o instrumento.

**IMPORTANTE!** Para garantir o trabalho seguro com o aparelho e a confiança nele, todas as actividades relacionadas com reparação, manutenção e regulação (incluindo a revisão e substituição das escovas) têm de se fazer nas oficinas de serviço autorizadas da SPARKY utilizando só peças de substituição originais.

## PROTECÇÃO ANTI-PÓ INSERIDA

---

O anel de protecção (1) protege o encaixe do aparelho de poluição durante o trabalho. Ao colocar o instrumento, procure não danificar o anel protector.



**ADVERTÊNCIA:** Substitua imediatamente o anel protector caso fique avariado!

Para substituir o anel de protecção (1) puxe para trás o bloqueio do encaixe (2). Pegue no anel protector e empurre-o de forma oblíqua para frente. Coloque no fuso ligeiramente inclinado o novo anel protector e aperte-o com força.

## INDICAÇÃO “ASSISTÊNCIA NA OFICINA DE SERVIÇO”

---

Quando o LED vermelho começar a piscar e o instrumento continua a trabalhar normalmente, é preciso proceder à substituição das escovas. Depois de 8 horas de trabalho aproximadamente, as escovas ficam completamente gastas e acciona-se o travão. O aparelho pára, ao passo que o indicador mantém a luz vermelha intermitente. Leve o aparelho para a oficina de serviço autorizada para mudança das escovas e profilaxia. Se o instrumento deixa de trabalhar antes de ter passado o período de advertência de 8 horas e o LED vermelho continua a piscar, isto significa que o motor eléctrico provavelmente está avariado.

## EXAME PROFILÁTICO

---

Periodicamente o aparelho tem de ser levado para a oficina autorizada da SPARKY para exame profilático. Os exames profiláticos vão prolongar a vida do seu instrumento eléctrico.

*Primeiro exame* – depois de aproximadamente 70 horas de trabalho. Avalia-se o funcionamento do aparelho e caso seja necessário, faz-se revisão do aparelho.

*Segundo exame* – depois de aproximadamente 140 horas de trabalho ou as escovas tenham ficado gastas. Faz-se limpeza geral do aparelho, revisão e eliminação dos defeitos surgidos ou potenciais (substituem-se as escovas e os anéis de vedação).

*Terceiro exame* – depois de aproximadamente 250 horas de trabalho ou as escovas tenham ficado gastas. Faz-se limpeza geral do aparelho, revisão e eliminação dos defeitos surgidos ou potenciais (substituem-se as escovas e os anéis de vedação).

*Quarto exame* – depois de aproximadamente 350 horas de trabalho ou as escovas tenham ficado gastas. Faz-se limpeza geral do aparelho, revisão e eliminação dos defeitos surgidos ou potenciais (substituem-se as escovas e os anéis de vedação).

## Garantia

---

O prazo de garantia dos instrumentos eléctricos SPARKY está indicado no cartão de garantia. Problemas surgidos em resultado do desgaste natural, sobrecarga ou utilização incorrecta, ficam excluídos dos deveres da garantia. Os problemas surgidos devido ao uso de materiais de baixa qualidade e/ou erros de fabricação, eliminam-se sem pagamento adicional mediante substituição ou reparação.

Reclamação por um instrumento eléctrico SPARKY defeituoso reconhece-se quando o instrumento for devolvido ao distribuidor ou for levado a uma oficina autorizada de assistência em prazo de garantia no seu estado inicial (montado).

## Observações

---

Leia atentamente toda a instrução para o uso, antes de começar a trabalhar com este aparelho. O fabricante reserva-se o direito de introduzir melhoras e modificações nos seus aparelhos, bem como modificar as especificações sem aviso.

As especificações podem variar de país para país.

# Spis treści

Wstęp .....	55
Dane techniczne .....	57
Ogólne zasady bezpiecznego użytkowania elektronarzędzi .....	58
Zasady bezpiecznego użytkowania młotów wyburzeniowych .....	59
Opis urządzenia .....	A/60
Działanie .....	B/60
Obsługa i konserwacja .....	62
Gwarancja .....	63

## ROZPAKOWYWANIE

Ze względu na nowoczesne metody produkcji masowej, istnieje niewielkie prawdopodobieństwo, iż zakupione przez Państwa narzędzie jest wadliwe, bądź niekompletne. W przypadku stwierdzenia jakichkolwiek nieprawidłowości, nie uruchamiać narzędzia do chwili wymiany części lub usunięcia usterki. Niezastosowanie się do tego zalecenia może skutkować poważnym uszkodzeniem ciała.

## MONTAŻ

Niniejszy młot wyburzeniowy SPARKY jest zapakowany w postaci całkowicie zmontowanej.

## Wstęp

Zakupione przez Państwa elektronarzędzie marki SPARKY spełni nawet najbardziej wygórowane oczekiwania użytkownika. Zostało ono wyprodukowane z zachowaniem rygorystycznych norm jakościowych SPARKY, aby zagwarantować doskonałe parametry pracy. Przekonają się Państwo, że Wasze nowe narzędzie jest łatwe i bezpieczne w obsłudze i, przy zachowaniu odpowiednich zasad użytkowania, będzie Wam niezawodnie służyć przez wiele lat.

## UWAGA!



Prosimy o dokładne zapoznanie się z niniejszą instrukcją obsługi przed użyciem urządzenia SPARKY, zwracając szczególną uwagę na ostrzeżenia i uwagi. Dzięki swoim cechom, urządzenie SPARKY zapewnia szybką i łatwą pracę. Bezpieczeństwo, niezawodność i wydajność były priorytetami przy konstruowaniu tego urządzenia aby zapewnić łatwość obsługi oraz utrzymania.



**Nie wyrzucać produktów elektrycznych razem z odpadami z gospodarstw domowych!** Zużyte artykuły elektryczne nie powinny być wyrzucane wraz z odpadami z gospodarstw domowych. Należy je utylizować w przeznaczonych do tego miejscach. Informacji na temat utylizacji udzielają władze lokalne bądź sprzedawcy.

## OCHRONA ŚRODOWISKA



Utylizując urządzenie, osprzęt i opakowanie należy poddać poszczególne elementy sortowaniu z myślą o ochronie środowiska naturalnego. Elementy plastikowe zostały odpowiednio oznaczone, aby umożliwić utylizację wg odpowiedniej klasyfikacji odpadów.



## OPIS SYMBOLI

Na tabliczce znamionowej narzędzia mogą znajdować się symbole oznaczające ważne informacje o produkcie lub instrukcji jego użytkowania.



Podwójna izolacja zapewniająca dodatkową ochronę.



Gwarantowany poziom mocy akustycznej  $L_{WA}$  zgodnie z zaleceniami dyrektywy 2000/14/EC.



Zgodny z odpowiednimi dyrektywami europejskimi.



Spełnia wymagania przepisów Unii Celnej.



Urządzenie spełnia wymagania norm ukraińskich.



Patrz oryginalna instrukcja obsługi

YYYY-Www Okres produkcji, w którym zmiennymi symbolami są:  
YYYY- roku produkcji,  
ww – tydzień kalendarzowy.

K Młot kującoy.

## Dane techniczne

Model	K 615CE	K 920CE
Moc wejściowa	1300W	1400W
Ilość ударów bez obciążenia (u/min.)	1900-3000 min <sup>-1</sup>	1000-2350 min <sup>-1</sup>
Elektroniczny wybór wstępny ilości ударów	tak	tak
Energia uderu (wg procedury EPTA 05/2009)	9 J	13,5 J
Pozycje dłutowania	12	12
Gniazdo	SDS-max	SDS-max
Waga (wg procedury EPTA 01/2014)	6,6 kg	8,1 kg
Klasa bezpieczeństwa (EN 60745-1) 	II	II

### INFORMACJA NA TEMAT HAŁASU I DRGAŃ

Wartości mierzone określono według EN 60745.

#### Emisja hałasu

Skoryg. charakteryst. częst. A poziom ciśn. akust. na stanowisku L <sub>PA</sub>	95,0 dB (A)	97,5 dB(A)
Niepewność pomiaru K <sub>PA</sub>	3,0 dB (A)	3,0 dB (A)
Skoryg. charakteryst. częst. A poziom ciśn. akust. na stanowisku L <sub>WA</sub>	106,0 dB (A)	108,5 dB (A)
Niepewność pomiaru K <sub>WA</sub>	3,0 dB (A)	3,0 dB (A)

#### Stosować środki ochrony słuchu!

#### Emisja drgań \*

Wartość sumy drgań (sumy wektorowej trzech składowych kierunkowych) wyznaczono według EN 60745:

Dłutowanie		
Wartość emisji drgań a <sub>h,ChEq</sub>	12,7 m/s <sup>2</sup>	16,6 m/s <sup>2</sup>
Niepewność pomiaru K <sub>ChEq</sub>	1,5 m/s <sup>2</sup>	1,5 m/s <sup>2</sup>

\* Wartości emisji drgań określono według 6.2.7 EN 60745.

Podany w niniejszej instrukcji poziom drgań został zmierzony zgodnie z określoną przez normę EN 60745 procedurą i może być używany do porównywania urządzeń. Może być stosowany do wstępnego określenia ekspozycji.

Deklarowany poziom emisji drgań odnosi się do głównego zastosowania urządzenia. Jeżeli urządzenie zostanie przeznaczone do innych zastosowań, z innym osprzętem lub nie będzie należycie konserwowane, poziom emisji wibracji może się różnić. Może to znacznie zwiększyć poziom ekspozycji w łącznym czasie pracy.

Aby dokładnie określić poziom ekspozycji na drgania, należy także brać pod uwagę okresy gdy urządzenie jest wyłączone, lub gdy nawet jest włączone, ale nie wykorzystywane do pracy. Może to znacznie obniżyć poziom ekspozycji na drgania w łącznym czasie pracy.

Chronić urządzenie oraz osprzęt oraz dbać o zapewnienie ciepła dłoniom podczas pracy w celu obniżenia szkodliwego wpływu drgań.

Pył z takich materiałów jak np. farba zawierająca ołów, niektóre gatunki drewna, minerały oraz metal może być szkodliwy. Kontakt lub inhalacja pyłów może spowodować reakcje alergiczne i/lub choroby układu oddechowego u operatora lub osób znajdujących się w bezpośredniej bliskości.

Pewne odmiany pyłów sklasyfikowane są jako rakotwórcze np. pył dębowy czy bukowy w szczególności w połączeniu z dodatkami zawierającymi chromaty i środki konserwujące. Materiały zawierające azbest mogą być obrabiane jedynie przez specjalistów.

- Tam gdzie możliwe jest stosowanie odciągu pyłów należy je stosować.
- Aby uzyskać wysoką skuteczność odciągu pyłów, stosować odkurzacz do drewna lub do drewna i minerałów wraz z niniejszym urządzeniem.
- Miejsce pracy musi być dobrze wentylowane.
- Zaleca się stosowanie maski p.pyłowej lub filtrów klasy P2.

Przestrzegać przepisów krajowych odnośnie obrabianych materiałów.

# Ogólne zasady bezpiecznego użytkowania elektronarzędzi



**UWAGA!** Należy zapoznać się z niniejszą ogólną instrukcją bezpieczeństwa oraz całą instrukcją obsługi. *Nie przestrzeganie niniejszych instrukcji może spowodować porażenie prądem, pożar i/lub poważne obrażenia.*

**Zachować niniejsze instrukcje na przyszłość.**

Określenie „elektonarzędzie” odnosi się zarówno do urządzeń zasilanych z sieci (przewodowych) jak i zasilanych bateriami (beprzewodowych).

## 1) Bezpieczeństwo w miejscu pracy

- Miejsce pracy musi być zawsze dobrze oświetlone i czyste. *Niedoświetlenie oraz nieład mogą być przyczyną wypadków.*
- Nie należy używać urządzenia w obecności palnych płynów, gazów i pyłów. *Podczas pracy urządzenia powstają iskry, które mogą zapalić pyły lub opary.*
- Dzieci i osoby postronne nie powinny znajdować się w miejscu pracy elektronarzędziami. *Brak skupienia może spowodować utratę kontroli nad urządzeniem.*

## 2) Bezpieczeństwo elektryczne

- Wtyczka urządzenia musi pasować do gniazda zasilającego. Nie wolno modyfikować wtyczki w jakikolwiek sposób. *Nie stosować żadnych adapterów w przypadku elektronarzędzi wymagających uziemienia. Nie modyfikowane wtyczki oraz gniazda zasilające redukują ryzyko porażenia prądem.*
- Unikać kontaktu z uziemionymi przedmiotami takimi jak, rury, grzejniki, piece i lodówki. *Ryzyko porażenia prądem wzrasta gdy ciało użytkownika zostanie uziemione.*
- Nie narażać urządzenia na kontakt z deszczem lub wilgocią. *Woda wnikając do urządzenia zwiększa ryzyko porażenia prądem.*
- Traktować przewód zasilający zgodnie z przeznaczeniem. *Nigdy nie stosować przewodu do przenoszenia, przeciągania lub odłączania urządzenia od zasilania. Chronić przewód przed źródłem*

ciepła, olejami, przedmiotami o ostrych brzegach, ruchomymi częściami urządzeń. *Uszkodzony lub splątany przewód zwiększa ryzyko porażenia prądem.*

- Podczas pracy na zewnątrz należy zawsze stosować odpowiedni przewód przedłużający przystosowany do pracy na zewnątrz. *Stosowanie przewodu przeznaczonego do pracy na zewnątrz zmniejsza ryzyko porażenia prądem.*
- Jeżeli nie ma możliwości uniknięcia pracy elektronarzędziem w wilgotnym środowisku, należy stosować zasilanie wyposażone w wyłącznik różnicowo-prądowy. *Stosowanie wyłącznika różnicowoprądowego redukuje ryzyko porażenia prądem.*

## 3) Bezpieczeństwo osobiste

- Zawsze należy pracować w należyтым skupieniu i kierować się rozsądkiem. *Nie używać urządzenia będąc zmęczonym lub pozostając pod wpływem narkotyków, alkoholu lub będąc w trakcie leczenia. Chwila nieuwagi podczas pracy urządzeniem może być przyczyną poważnych uszkodzeń ciała.*
- Stosować wyposażenie ochronne. *Zawsze używać ochrony oczu. Wyposażenie takie jak maska p.pyłowa, buty na podszwie antypoślizgowej, kask, ochronniki słuchu, stosowane w odpowiednich warunkach, redukuje zagrożenie uszkodzenia ciała.*
- Unikać przypadkowego włączenia urządzenia. *Upewnić się, że włącznik znajduje się w położeniu „wyłączony” przed podłączeniem urządzenia do źródła zasilania lub baterii. Przenoszenie urządzenia trzymając za włącznik lub podłączając je do zasilania z włącznikiem w pozycji: „włączone” może być przyczyną wypadków.*
- Usunąć wszelkie klucze przed włączeniem urządzenia. *Pozostawienie klucza w rotującej części urządzenia może spowodować obrażenia ciała.*
- Nie przeceniać własnych możliwości. *Zawsze dbać o odpowiednie oparcie dla nóg oraz balans. Zapewnić to lepszą kontrolę w nieoczekiwanych sytuacjach.*
- Stosować odpowiednie ubranie. *Nie nosić luźnych ubrań ani biżuterii. Nie zbliżać włosów, ubrania ani rękawic roboczych do ruchomych części urządzenia. Luźne ubranie, biżuteria lub długie włosy mogą utknąć w ruchomych częściach urządzenia.*

- g) Jeśli urządzenie jest wyposażone w adapter odprowadzania pyłów, należy sprawdzić czy jest odpowiednio podłączony i używany. Stosowanie systemu odprowadzania pyłów może obniżyć niebezpieczeństwa związane z pyleniem.

#### 4) Używanie i konserwacja urządzenia

- a) Nie przeciążać urządzenia. Stosować odpowiednie urządzenie do każdej pracy. Należy używać urządzenie wykona pracę lepiej i bezpieczniej w trybie do jakiego zostało zaprojektowane
- b) Nie używać urządzenia jeśli włącznik nie działa. Każde urządzenie z uszkodzonym włącznikiem jest niebezpieczne i musi zostać naprawione.
- c) Zawsze należy odłączyć urządzenie od zasilania lub odłączyć baterie przed zmianą ustawień, wymianą akcesoriów lub odłożeniem po pracy. Takie działanie zmniejszy ryzyko przypadkowego włączenia urządzenia.
- d) Nieużywane urządzenie należy chronić przed dziećmi oraz nie zezwalać niepowołanym osobom nie znającym tego urządzenia lub niniejszej instrukcji na pracę tym urządzeniem. Elektronarzędzia są niebezpieczne w rękach nie przeszkolonych osób.
- e) Konserwować elektronarzędzia. Sprawdzić połączenia części ruchomych, ewentualne uszkodzenia oraz inne czynniki mogące mieć wpływ na działanie urządzenia. W przypadku stwierdzenia uszkodzenia należy naprawić urządzenie przed dalszym użytkowaniem. Wiele wypadków spowodowanych jest nienależytą konserwacją urządzenia.
- f) Narzędzia tnące zawsze muszą być ostre. Odpowiednio konserwowane narzędzia tnące z ostrymi krawędziami rzadziej się zacinają w obrabianym materiale i są łatwiejsze w obsłudze.
- g) Niniejsze urządzenie oraz osprzęt do niego muszą być używane zgodnie z niniejszą instrukcją obsługi oraz w zakresie przewidzianym dla danego typu urządzenia. Zawsze należy brać pod uwagę rodzaj pracy do wykonania oraz warunki panujące w miejscu pracy. Użycie elektronarzędzi do celów innych niż opisane w niniejszej instrukcji obsługi może spowodować niebezpieczne sytuacje.

#### 5) Serwis

- a) Niniejsze urządzenie należy serwisować wyłącznie w wykwalifikowanych serwi-

sach z wykorzystaniem oryginalnych części zamiennych. Takie postępowanie zapewni należyte bezpieczeństwo elektronarzędzia.

## Zasady bezpiecznego użytkowania młotów wyburzeniowych

Małe odłamki i cząstki urobku uwolnione podczas użytkowania elektronarzędzia, jak również dotykanie jego ruchomych części i utrata kontroli nad urządzeniem mogą spowodować powstaniem poważnych obrażeń ciała, zaś wystawienie na hałas emitowany podczas ciągłego działania narzędzia może skutkować uszkodzeniem słuchu operatora urządzenia w przypadku nieprzestrzegania zasad bezpieczeństwa i higieny pracy oraz poniższych wskazówek.



Używając młota wyburzeniowego nosić nauszники ochronne. Wystawienie na działanie hałasu może skutkować utratą słuchu.

- Używać rękocyfki pomocniczej stanowiącej element wyposażenia urządzenia. Utrata kontroli nad narzędziem może skutkować obrażeniami ciała.



Podczas eksploatacji zapewnić ochronę oczu, aby zapobiec wystawianiu oczu na latające cząstki urobku. Nosić okulary ochronne.



Przedsięwziąć środki ostrożności zapobiegające wdychaniu pyłu. Niektóre materiały mogą zawierać składniki toksyczne. Nosić maskę przeciwpyłową i o ile istnieje możliwość podłączenia stosować urządzenie odpylające.

- Trzymać elektronarzędzie wyłącznie za izolowane powierzchnie przeznaczone do trzymania podczas pracy gdy akcesoria tnące mogą zetknąć się z ukrytym okablowaniem lub własnym przewodem urządzenia. Akcesoria tnące stykające się z przewodem pod napięciem mogą spowodować, że odkryte metalowe części elektronarzędzia znajdą się pod napięciem i mogłyby porazić prądem osobę obsługującą elektronarzędzie.
- Nie należy poddawać obróbce materiały zawierające azbest. Azbest jest uważany za materiał rakotwórczy.

- Podczas obsługi urządzenia należy zawsze trzymać je mocno obiema dłońmi i dbać o zachowanie stabilnej pozycji ciała. Elektronarzędzie bezpieczniej się prowadzi obiema rękami.
- Odłączyć urządzenie od źródła zasilania przed przystąpieniem do jakichkolwiek czynności regulacyjnych, konserwacyjnych czy naprawczych oraz w przypadku spadku napięcia
- Zawsze trzymać kabel zasilający z dala od miejsca pracy elektronarzędzia.
- Nigdy nie korzystać z elektronarzędzia, którego przewód zasilający i wtyczka są uszkodzone. W przypadku konieczności wymiany przewodu zasilającego, czynność tę, w celu uniknięcia zagrożenia bezpieczeństwa użytkownika, może wykonać producent bądź jego przedstawiciel.
- Przed przystąpieniem do pracy użyć odpowiednich przyrządów w celu określenia, czy w miejscu pracy nie znajdują się ukryte przewody zasilające, lub też zwrócić się do dostawcy mediów o pomoc w tym zakresie. Kontakt z linią elektryczną może prowadzić do powstania pożaru i porażenia prądem. Uszkodzenie instalacji gazowej grozi wybuchem. Przebiecie instalacji wodno-kanalizacyjnej powoduje powstanie szkód w mieniu lub może skutkować porażeniem prądem.
- Elektronarzędzi nie wolno używać poza pomieszczeniem w warunkach padającego deszczu bądź wilgotnym otoczeniu (po deszczu) lub też w pobliżu palnych cieczy i gazów. Miejsce pracy powinno być dobrze oświetlone.

## Opis urządzenia

Przed użyciem elektronarzędzia zapoznać się z funkcjami i z zasadami bezpieczeństwa.

Korzystać z elektronarzędzia i oprzyrządowania wyłącznie w zakresie zastosowań dla niego przeznaczonym. Wszystkie inne zastosowania są wyraźnie wykluczone.

1. Pierścień ochronny
2. Gniazdo z tuleją blokującą
3. Przełącznik wyboru trybu
4. Wyłącznik
5. Włęcznik spustowy
6. Regulator częstotliwości obrotów
7. Wskaźnik zużycia szczotek i przeciążenia
8. Wskaźnik trybu
9. Otwory wentylacyjne
10. Otwory wentylacyjne

11. Nakrętka dokręcająca
12. Rękojeść pomocnicza

## Działanie

Niniejsze elektronarzędzie jest zasilane wyłączanie z sieci dostarczającej prąd zmienny jednofazowy. Jest podwójnie izolowane zgodnie z normami to EN 60745-1, IEC 60745 i może być podłączane do gniazd uziemionych i nieuziemiionych. Elektronarzędzie spełnia wymagania odnośnie zakłóceń radioelektrycznych zgodnie z dyrektywą EMC Directive.

Niniejsze elektronarzędzie jest przeznaczone do wysokowydajnego dłutowania w konstrukcjach z cegieł, betonu i kamieniach.



Niniejsze elektronarzędzie jest wyposażone w mechanizm redukujący drgania, zmniejszających ich poziom o ponad 50%.

### PRZED PRZYSTĄPIENIEM DO PRACY

- Upewnić się, że napięcie zasilania odpowiada wartości wskazanej na tabliczce znamionowej zawierającej dane techniczne narzędzia.
- Zawsze sprawdzić pozycję wyłącznika. Elektronarzędzie może być podłączone do gniazda zasilania jedynie wówczas, gdy wyłącznik ustawiony jest w pozycji OFF (wyłączone). Jeśli wtyczka jest podłączona do gniazda gdy wyłącznik ustawiony jest w pozycji ON (włączone), elektronarzędzie zostanie natychmiast uruchomione, co może skutkować poważnym wypadkiem.
- Upewnić się, że przewód i wtyczka są w prawidłowym stanie. W przypadku konieczności wymiany przewodu zasilającego, czynność tę, w celu uniknięcia zagrożenia bezpieczeństwa użytkownika, może wykonać producent bądź jego przedstawiciel.



**UWAGA:** Przed przystąpieniem do jakichkolwiek czynności regulacyjnych, serwisowych czy konserwacyjnych, wyłączyć urządzenie i odłączyć wtyczkę od źródła zasilania.

- W przypadku pracy w miejscu odległym od źródła zasilania używać możliwie najkrótszego przedłużacza o odpowiednim przekroju.
- Upewnić się, że rękojeść pomocnicza jest właściwie zamocowana i solidnie dokręcona.

## WSTAWIANIE NARZĘDZIA SDS-MAX

Przed umieszczeniem w gnieździe, oczyścić i nasmarować uchwyt narzędzia roboczego!

Utrzymać gniazdo z tuleją blokującą 2 w pozycji górnej (przedniej) podczas wstawiania narzędzia.

Umieścić narzędzie we wrzecionie bez używania siły.

Obracać narzędzie aż do momentu, gdy rowki zajmą na siebie.

Po tym jak rowki zbiegną się, pchnąć narzędzie ku dołowi (aż mechanizm mocujący wyda słyszalne kliknięcie). Sprawdzić prawidłowość mocowania narzędzia ciągnąc je mocno na zewnątrz.

## DEMONTAŻ NARZĘDZIA SDS-MAX

Pociągnąć uchwyt blokujący całkowicie do tyłu i wyciągnąć narzędzie.

## ZMIANA POZYCJI DŁUTA

- Wstawić narzędzie do gniazda, jak opisano w punkcie „Wstawianie narzędzia SDS-max”.
- Obrócić przełącznik 3 w pozycję „Zmiana pozycji dłuta”.

Zastosowanie	Pozycja regulatora	Ilość udarów
Tynki / Lekkie materiały budowlane	A-B	1900-2085 min <sup>-1</sup>
Cegły / Dłutowanie płytek	C-D	2265-2450 min <sup>-1</sup>
Dłutowanie betonu	E-G	2630-3000 min <sup>-1</sup>

- Obracać narzędzie ręcznie, aż do otrzymania żądanej pozycji.

- Obrócić przełącznik 3 w pozycję „Młot”, a następnie obrócić narzędzie ręką lekko w lewo i prawo, aż się nie zablokuje.

Dłuższy okres eksploatacji elektronarzędzia oraz wyższą jej wydajność można osiągnąć jedynie przy zastosowaniu dobrze naostrzonych narzędzi do wyburzania i dłutowania.

## WŁĄCZANIE – WYŁĄCZANIE

- Włączanie: Nacisnąć wyłącznik spustowy (5) we wskazanym kierunku.
- Wyłączanie: Nacisnąć wyłącznik we wskazanym kierunku.



**UWAGA:** Przy niskich temperaturach około lub poniżej 0°C, lub w przypadku, gdy elektronarzędzie nie było używane przez długi okres (po składowaniu w magazynie/sklepie/domu), po uruchomieniu może nie mieć miejsca działania udaru z powodu zagęszczonego smaru. W takim przypadku pozwolić, aby elektronarzędzie pracowało przez 1,5 minuty przy zerowym obciążeniu w celu rozgrzania się, tym samym osiągając lepsze smarowanie i wydłużony okres eksploatacji elektronarzędzia.

## WYBÓR CZĘSTOTLIWOŚCI I ENERGII UDARU

Obrócić regulator 6, aby wybrać pozycję odpowiednią dla obrabianego materiału. Układ constant electronics utrzymuje częstotliwość i energię udaru na stałym poziomie, niezależnie od obciążenia, zapewniając tym samym równomierny tryb pracy. Zaleca się korzystanie z trybów pracy wymienionych w tabeli.

Obrócić regulator 6 z pozycji A na pozycję F, aby zwiększyć częstotliwość i energię udaru. Wskaźnik 8 będzie migał zielonym światłem. Przy regulatorze 6 w pozycji G wskaźnik 8 będzie świecił stałym zielonym światłem. Ten tryb charakteryzuje zwiększona energia udaru do 9 J.

## RĘKOJEŚĆ POMOCNICZA

Zawsze używać rękojeści pomocniczej.

Aby zmienić pozycję rękojeści pomocniczej, poluzować nakrętkę dokręcającą 11. Obrócić rękojeść w najbardziej dogodnym położeniu, a następnie mocno ją dokręcić.

Nie nosić urządzenia za luźną rękojeść pomocniczą.



## WSKAZÓWKI DOTYCZĄCE PRACY

Stosować umiarkowany nacisk podczas pracy (około 100-150 N)! Większy nacisk nie zwiększy skuteczności wiercenia, ale będzie skutkowało skróceniem okresu eksploatacji urządzenia. Obserwować stopień stopienia dłuta i wymieniać je w przypadku stwierdzenia znaczącego spadku efektywności pracy.

## Obsługa i konserwacja



**UWAGA:** Przed przystąpieniem do czynności obsługowych i konserwacyjnych należy zawsze upewnić się, że elektronarzędzie jest wyłączone i odłączone od źródła zasilania.

## PRZEGLĄD OGÓLNY

Regularnie kontrolować wszystkie mocowania, aby zapewnić odpowiednie dociągnięcie śrub. W przypadku poluzowania którejkolwiek ze śrub, natychmiast ją dokręcić aby uniknąć zagrożenia.

W przypadku konieczności wymiany przewodu zasilającego, czynność tę, w celu uniknięcia zagrożenia bezpieczeństwa użytkownika, może wykonać producent bądź jego przedstawiciel.

## CZYSZCZENIE

Aby zapewnić bezpieczną pracę, należy urządzenie i szczeliny wentylacyjne zawsze utrzymywać w czystości.

Regularnie sprawdzać, czy jakikolwiek pył bądź obce ciała dostały się do szczelin wentylacyjnych i kratek w okolicach przełączników. Używać miękkiej szczotki i/lub dmuchawy, aby usunąć wszelki zaległy kurz. Korzystać z okularów ochronnych w celu chronienia oczu podczas czyszczenia.

Zewnętrzne części plastikowe mogą być czyszczone wilgotną ściereczką i łagodnym środkiem czyszczącym o ile zajdzie taka potrzeba.



**UWAGA:** Nigdy nie używać alkoholu, benzyny lub innych środków czyszczących. Nigdy nie używać środków żrących do czyszczenia części plastikowych.



**UWAGA:** Nie można dopuścić do kontaktu narzędzia z wodą.

**WAŻNE!** Aby zapewnić bezpieczeństwo i niezawodność produktu, naprawy, konserwacja i regulacja powinny być wykonywane przez autoryzowane centra serwisowe bądź inne kompetentne podmioty świadczące tego typu usługi, zawsze przy użyciu oryginalnych części zamiennych.

## WBUDOWANA OSŁONA PRZECIWPYŁOWA

Pierścień ochronny 1 chroni gniazdo narzędzia przed zanieczyszczeniami podczas pracy. Podczas wstawiania narzędzia należy uważać, aby nie uszkodzić pierścienia ochronnego.



**UWAGA:** Uszkodzony pierścień ochronny należy natychmiast wymienić!

Aby wymienić pierścień ochronny 1, odciągnąć gniazdo z tuleją blokującą 2. Chwycić pierścień ochronny i mocno pociągnąć pod skosem do przodu. Umieścić nowy pierścień ochronny na wrzecionie i mocno go zacisnąć.

## WKAŹNIK „OBSŁUGI KONSERWACYJNEJ”

Kiedy dioda emitująca czerwone światło zaczyna migać podczas gdy urządzenie pracuje normalnie, konieczna jest wymiana szczotek. Po około 8 godzinach pracy szczotki są zużyte całkowicie i uruchamia się wyłącznik bezpieczeństwa. Urządzenie zatrzymuje się, a świecąca na czerwono dioda miga nadal. Dostarczyć urządzenie do serwisu celem wymiany szczotek i dokonania profilaktycznych czynności konserwacyjnych.

Jeśli urządzenie nie działa przed upływem okresu ostrzegawczego 8 godzin a dioda emitująca czerwone światło miga, oznacza to prawdopodobnie uszkodzenie silnika. W przypadku, gdy nie ma ostrzeżenia świetlnego a urządzenie nie pracuje, oznacza to, że brak jest zasilania urządzenia bądź wyłącznik automatyczny lub przewód zasilający są uszkodzone.



## PROFILAKTYCZNE CZYNNOŚCI KONSERWACYJNE

---

Niniejsze elektronarzędzie winno być okresowo przekazywane do autoryzowanego centrum serwisowego SPARKY w celu dokonania profilaktycznych czynności konserwacyjnych. Przeglądy profilaktyczne podniosą żywotność zakupionego przez Państwa elektronarzędzia.

*Pierwszy przegląd* – po około 70 godz. pracy. Oceniona zostanie praca urządzenia, a w razie konieczności urządzenie zostanie poddane przeglądowi.

*Drugi przegląd* – po około 140 godz. pracy lub w przypadku zużycia szczotek.

Urządzenie zostanie dokładnie wyczyszczone i poddane przeglądowi. Stwierdzone bądź potencjalne usterki zostaną wyeliminowane (wymienione zostaną szczotki i uszczelki toroidalne O-ring).

*Trzeci przegląd* – po około 250 godz. pracy lub w przypadku zużycia szczotek.

Urządzenie zostanie dokładnie wyczyszczone i poddane przeglądowi. Stwierdzone bądź potencjalne usterki zostaną wyeliminowane (wymienione zostaną szczotki i uszczelki toroidalne O-ring).

*Czwarty przegląd* – po około 350 godz. pracy lub w przypadku zużycia szczotek.

Urządzenie zostanie dokładnie wyczyszczone i poddane przeglądowi. Stwierdzone bądź potencjalne usterki zostaną wyeliminowane (wymienione zostaną szczotki i uszczelki toroidalne O-ring).

## Gwarancja

---

Okres gwarancji elektronarzędzi SPARKY jest określony w karcie gwarancyjnej produktu.

Usterki spowodowane normalnym zużyciem, przeciążeniem lub niewłaściwą obsługą, nie podlegają gwarancji.

Uszkodzenia wynikłe z wady materiałowej lub błędów produkcyjnych zostaną usunięte bezpłatnie w drodze naprawy lub wymiany urządzenia.

Reklamacje uszkodzonych urządzeń SPARKY zostaną rozpatrzone jeśli zostaną dostarczone w stanie w jakim stwierdzono wadę, nie remontowane, wraz z dokumentem zakupu i kartą gwarancyjną do autoryzowanego serwisu lub punktu sprzedaży.

## Informacja

---

Przed użyciem należy dokładnie przeczytać niniejszą instrukcję.

Narzędzia SPARKY są stale ulepszone w związku z tym otrzymany produkt może nieznacznie różnić się od tego ukazanego w niniejszej instrukcji. Producent zapewnia sobie prawo do wprowadzania zmian bez uprzedzenia.

Specyfikacja może się różnić w zależności od kraju.

# Содержание

Введение .....	65
Технические данные .....	66
Общие указания по технике безопасности при работе с электроинструментами .....	67
Дополнительные указания по технике безопасности при работе с отбойными молотками .....	69
Знакомство с электроинструментом .....	A/69
Указания по работе .....	B/70
Обслуживание .....	71
Гарантия .....	73

## РАСПАКОВКА

В соответствие с общепринятыми технологиями крупносерийного производства, почти не существует риска поломки Вашего электроинструмента, или отсутствия какой-либо из его частей. Если вы все же установите повреждение, не используйте электроинструмент до тех пор, пока дефектная часть не будет заменена, а неисправность - устранена. Нарушение этой рекомендации может привести к серьезному трудовому инциденту.

## СБОРКА

Отбойный молоток поставляется в упаковке, в полностью собранном виде..

## Введение

Новоприобретенный Вами электроинструмент SPARKY превзойдет Ваши ожидания. Его производство подчиняется высоким стандартам качества SPARKY, отвечающим строгим требованиям потребителя. Удобный для обслуживания и безопасный в эксплуатации, этот электроинструмент при правильном употреблении будет служить безотказно долгие годы.

## ПРЕДОСТЕРЕЖЕНИЕ!



Прочтите внимательно и целиком инструкцию по эксплуатации перед использованием новоприобретенного электроинструмента SPARKY. Обратите специальное внимание на параграфы, обозначенным словом "Предостережение". У Вашего электроинструмента SPARKY много качеств, которые облегчают работу. При разработке этого инструмента основное внимание было направлено на безопасность, эксплуатационные качества и надежность, которые облегчают его обслуживание и эксплуатацию.



### **Не выбрасывать электроинструменты вместе с бытовыми отбросами!**

Отбросы электрических изделий нельзя собирать вместе с бытовыми отбросами. Они должны быть рециклированы на местах, предназначенных специально для этих целей. Просим обратиться к местным властям или к нашему представителю для получения информации насчет рециклирования.

## ЗАЩИТА ОКРУЖАЮЩЕЙ СРЕДЫ



Для предохранения окружающей среды электроинструменты, принадлежности и упаковки должны быть переработаны подходящим образом для повторно использования содержащихся в них материалов. Для облегчения процесса рециклирования детали, сделанные из искусственных материалов, обозначены соответствующим способом.

## ОПИСАНИЕ СИМВОЛОВ

На табличке с данными электроинструмента нанесены специальные символы, содержащие важную информацию о продукте или инструкции по использованию.



Двойная изоляция для дополнительной защиты.



Гарантированный уровень звуковой мощности  $L_{WA}$  согласно требованиям Директивы 2000/14/ЕС.



Соответствует релевантным европейским директивам.



Соответствует требованиям правил Таможенного союза.



Соответствует требованиям украинских нормативных документов.




Ознакомьтесь с инструкцией по эксплуатации.

YYYY-Www      Период производства, где переменные символы означают:  
YYYY - год производства,  
ww – очередная календарная неделя.

К                      Молоток отбойный.

# Технические данные

Модель	K 615CE	K 920CE
Потребляемая мощность	1300W	1400W
Частота ударов на холостом ходу	1900-3000 min <sup>-1</sup>	1000-2350 min <sup>-1</sup>
Электронное регулирование частоты ударов	да	да
Энергия единичного удара (ЕРТА процедура 05/2009)	9 J	13,5 J
Позиции долота	12	12
Система закрепления инструмента	SDS-max	SDS-max
Вес (ЕРТА процедура 01/2014)	6,6 kg	8,1 kg
Класс защиты (EN 60745-1) 	II	II

## ИНФОРМАЦИЯ О ШУМЕ И ВИБРАЦИИ

Значения, замеренные согласно EN 60745.

### Уровень шума

A-взвешенный уровень звукового давления L <sub>рА</sub>	95,0 dB (A)	97,5 dB(A)
Неопределенность K <sub>рА</sub>	3,0 dB (A)	3,0 dB (A)
A-взвешенный уровень звуковой мощности L <sub>wА</sub>	106,0 dB (A)	108,5 dB (A)
Неопределенность K <sub>wА</sub>	3,0 dB (A)	3,0 dB (A)

### Используйте средства для защиты от шума!

### Излучение вибраций \*

Суммарные значения вибраций (векторная сумма трех направлений) определенные в соответствии с EN 60745:

Отбой		
Значение излученных вибраций a <sub>h,CHeq</sub>	12,7 m/s <sup>2</sup>	16,6 m/s <sup>2</sup>
Неопределенность K <sub>CHeq</sub>	1,5 m/s <sup>2</sup>	1,5 m/s <sup>2</sup>

\* Уровень вибраций определен согласно п. 6.2.7 EN 60745.

Указанный в настоящую инструкцию уровень вибраций измерен в соответствии с установленную EN 60745 методику испытаний и может использоваться для сравнения электроинструментов. Уровень вибраций может использоваться для предварительной оценки воздействия.

Указанный уровень вибраций дан при условии использования инструмента по его прямому назначению. В тех случаях, когда электроинструмент используется для других целей, с другими принадлежностями, уровень вибраций может отличаться от указанного. В этих случаях уровень воздействия может значительно возрасти в рамках общего периода работы.

Для точной оценки воздействия вибраций во время определенного периода работы необходимо учитывать промежутки времени, в которые электроинструмент выключен, либо хотя и включен, но фактически не используется. Это может существенно сократить воздействия вибраций в течение всего периода работы.

Сохраняйте электроинструмент и его принадлежности в хорошем состоянии. Во время работы старайтесь сохранять руки теплыми - это поможет уменьшить вредное воздействие при работе с повышенной вибрацией.

Пыль материалов, как с краски с содержанием свинца, некоторых сортов древесины, минералов и металла может быть вредной для здоровья. Прикосновение к пыли и попадание пыли в дыхательные пути может вызвать аллергические реакции и/или заболевания дыхательных путей оператора или находящегося вблизи персонала.

Определенные виды пыли, как из дуба и бука, считаются канцерогенными, особенно, совместно с присадками для обработки древесины (хромат, средство для защиты древесины). Материал с содержанием асбеста разрешается обрабатывать только специалистам.

- По возможности применяйте отсос пыли.
- Для достижения максимально высокой эффективности собирания пыли при работе с данным электроинструментом, используйте пылесос, предназначенный для сбора пыли из древесины или для пыли из древесины и/или минеральной пыли.

- Следите за хорошей вентиляцией.
  - Рекомендуется пользоваться дыхательной защитной маской с фильтром класса P2.
- Соблюдайте действующие в Вашей стране предписания для обрабатываемых материалов.

## Общие указания по безопасности при работе с электроинструментами



**ПРЕДОСТЕРЕЖЕНИЕ!** Прочитайте все предупреждения и указания по безопасности. Несоблюдение предупреждений и указаний по безопасности может привести к поражению электрическим током, от пожара и/или серьезные ранения.

Сохраните все предупреждения и указания для дальнейшего использования.

Термин “электроинструмент” во всех указанных ниже предупреждениях касается вашего электроинструмента, с питанием от сети (с кабелем) и/или электроинструмент с питанием от аккумуляторной батареи (без кабеля).

### 1) Безопасность рабочего места

- а) Содержите рабочее место в чистоте и хорошо освещенным. Беспорядок и недостаточное освещение являются предпосылками трудовых инцидентов.
- б) Не работайте с электроинструментами во взрывоопасной атмосфере при наличии воспламеняющихся жидкостей, газов или пыли. Электроинструменты создают искры, которые могут воспламенить пыль или пары.
- в) Держите детей и посторонних лиц на расстоянии, когда работаете с электроинструментом. Рассеивание может привести к потере контроля с Вашей стороны.

### 2) Электрическая безопасность

- а) Штепселя электроинструментов должны соответствовать контактным гнездам. Никогда не меняйте штепсель каким-либо способом. Не используйте какие-либо адаптерные штепселя для электроинструментов с защитным за-

землением. Использование оригинальных штепселей и соответствующим им контактов уменьшает риск от удара электрическим током.

- б) Избегайте соприкосновения тела с землей или с заземленными поверхностями, такими как трубы, радиаторы, кухонные плиты и холодильники. Если ваше тело заземлено, существует повышенный риск поражения электрическим током.
  - в) Не оставляйте электроинструменты под дождем или во влажной среде. Проникновение воды в электроинструменты повышает риск от поражения электрическим током.
  - г) Используйте кабель по назначению. Никогда не используйте кабель для переноса электроинструмента, натягивания или отключения штепселя из контактного гнезда. Держите кабель далеко от тепла, масла, острых углов или движущихся частей. Поврежденные или запутанные кабели повышают риск от поражений электрическим током.
  - д) Во время наружной работы с электроинструментом используйте удлинитель, подходящий для этих целей. Использование удлинителя, предназначенного для внешних /наружных/ работ, уменьшает опасность от поражения электрическим током.
  - е) В случае, если работа с электроинструментом во влажной среде неизбежна, используйте предохранительное устройство, которое задействовано от остаточного тока для прерывания подачи тока. Использование предохранительного устройства уменьшает риск от поражения электрическим током.
- ### 3) Личная безопасность
- а) Будьте бдительны, работайте с повышенным вниманием и проявляйте благоразумие, когда работаете с электроинструментом. Не используйте электроинструмент, когда вы устали или находитесь под влиянием наркотиков, алкоголя или медикаментов. Момент невнимания при работе с элек-

троинструментом может привести к серьезной производственной травме.

- b) **Используйте индивидуальные средства защиты. Носите всегда защитные очки.** *Индивидуальные средства защиты, такие как маска против пыли, нескользкая обувь, защитный шлем или средства для защиты слуха, используемые в конкретных условиях, снижают риск от производственных травм.*
  - c) **Избегайте невольного пуска инструмента. Убедитесь, что выключатель находится в положение „выключено“ перед включением к источнику питания и/или аккумуляторной батарее перед тем, как его возьмете в руки или переносите.** *Ношение электроинструмента с пальцем на выключателе или подключение к источнику питания электроинструмента с выключателем во включенном положении является предпосылкой для производственной травмы.*
  - d) **Удалите каждый ключ для затягивания или гаечный ключ перед включением электроинструмента.** *Ключ для затягивания или гаечный ключ, прикрепленный к вращающейся части электроинструмента, может привести к трудовому инциденту.*
  - e) **Не перетягивайтесь. Поддерживайте правильное положение и равновесие в течение всей работы.** *Это позволит лучше управлять электроинструментом при неожиданных ситуациях.*
  - f) **Носите подходящую рабочую одежду. Не носите широкую одежду или украшения. Держите свои волосы, одежду и перчатки далеко от движущихся частей.** *Широкая одежда, бижутерия или длинные волосы могут попасть в движущиеся части.*
  - g) **Если электроинструмент снабжен приспособлением для пыли, убедитесь, что они правильно установлены и правильно используются.** *Использование этих устройств может понизить связанные с пылью опасности.*
- 4) Эксплуатация и уход за электроинструментами**
- a) **Не перегружайте электроинструмент. Используйте правильно выбранный электроинструмент согласно его предназначению.** *Правильно подобранный электроинструмент работает лучше и безопасней для объявленного режима*

*работы, для которого он спроектирован.*

- b) **Не используйте электроинструмент в случае, если выключатель не переключается во включенное и исключенное положение.** *Каждый электроинструмент, который не может управляться с помощью его выключателя, опасен и подлежит ремонту.*
- c) **Отключите штепсель от электросети перед тем, как начать любые настройки, перед заменой принадлежности или перед тем, как убрать электроинструмент для хранения.** *Эти меры предосторожности снижают риск невольного пуска электроинструмента.*
- d) **Сохраняйте неиспользованные электроинструменты в местах, недоступных для детей и не позволяйте обслуживающему персоналу, который не знаком с электроинструментом или инструкциями по эксплуатации, работать с ним.** *Электроинструменты являются опасными в руках необученных потребителей.*
- e) **Проверяйте электроинструменты. Проверяйте, работают ли нормально и движутся ли свободно движущиеся части, находятся ли в целости и исправности части, а также проверяйте все прочие обстоятельства, которые могут неблагоприятно повлиять на работу электроинструмента.** *Если он поврежден, электроинструмент необходимо отремонтировать перед его дальнейшим использованием. Много инцидентов причиняются от плохо обслуживаемых электроинструментов.*
- f) **Поддерживайте режущие инструменты острыми и чистыми.** *Правильно поддержанные режущие инструменты с острыми режущими углами реже блокируются и проще управляются.*
- g) **Используйте электроинструмент, принадлежности и части инструмента и т.д. в соответствии с этими инструкциями и способом, предусмотренным для конкретного типа электроинструмента, имея в виду рабочие условия и работу, которую необходимо выполнять.** *Использование электроинструмента для работы не по предназначению может привести к опасной ситуации.*

## 5) Обслуживание

- а) Ремонтуйте ваш электроинструмент у квалифицированного специалиста по ремонту, при этом используйте только оригинальные запасные части. Это обеспечивает сохранение безопасности электроинструмента.

## Дополнительные указания по технике безопасности при работе с отбойными молотками

Отламывающиеся при работе с электроинструментом отломки и касание движущихся частей, а также потеря контроля могут привести к тяжелым физическим травмам, а шум при продолжительной работе – к повреждению слуха, если не соблюдать инструкции безопасности и перечисленные ниже правила.



**Используйте средства защиты слуха при продолжительной работе.** *Интенсивный шум во время работы может повредить слух.*

- **Всегда используйте дополнительную рукоятку, прилагаемую в комплекте с машиной.** *Потеря контроля может привести к трудовому происшествию.*



**Во время работы используйте средства защиты зрения от разлетающихся частиц.** *Носите защитные очки.*



**Примите меры предосторожности против вдыхания пыли.** *Некоторые материалы могут содержать токсические компоненты. Носите защитную маску. Подключите инструмент к устройству для удаления пыли (если это возможно).*

- **В случае потенциальной возможности касания режущей принадлежности до скрытой электропроводки или до собственного питающего шнура, держите электроинструмент только за изолированные поверхности рукояток.** *Контакт принадлежности с токоведущим проводом ставит под напряжение также*

*открытые металлические части электроинструмента и может привести к поражению оператора электрическим током.*

- Не обрабатывайте материалы содержащих асбеста. Асбест считается канцерогенным веществом.
- Во время работы держать машину крепко двумя руками и поддерживать стабильное положение тела. Электроинструментом можно управлять безопасно единственно держа его обеими руками.
- Вынимать штепсель из контакта перед началом каких-либо работ по регулированию, ремонту или обслуживанию, а также при отпадании напряжения в сети питания.
- Держать кабель питания вне зоны действия отбойного молотка.
- Не допускается работа при повреждении кабеля питания или штепселя. Замену поврежденного кабеля питания должен выполнить производитель или уполномоченный им сервисный специалист, чтобы избежать опасности неподходящей замены.
- Перед началом работы обязательно проверять подходящим металлоискателем наличие скрытой электропроводки, газопроводных или водопроводных труб, или обеспечить содействие соответствующих местных служб. Касание скрытой электропроводки может привести к поражениям электрическим током. Повреждение газопровода может причинить взрыв. Повреждение водопровода может быть причиной материальных ущербов или поражения электрическим током.
- Электроинструмент нельзя использовать под открытым небом при дождливой погоде, во влажной среде (после дождя) или в близости до легковоспламеняющихся жидкостей и газов. Рабочее место должно быть хорошо освещено.

## Знакомство с электроинструментом

До начала работы, ознакомьтесь со всеми оперативными особенностями инструмента и условиями техники безопасности. Используйте электроинструмент и его принадлежности только по предназначению. Любое другое приложение категорически запрещено.



1. Защитное кольцо
2. Замыкающая муфта
3. Переключатель
4. Кнопка выключения
5. Курок выключателя
6. Регулятор частоты вращения
7. Индикатор изнашивания щеток и перегрузки
8. Индикатор режима
9. Вентиляционные отверстия
10. Вентиляционные отверстия
11. Затягивающая гайка
12. Дополнительная рукоятка

## Указания по работе

Этот электроинструмент питается однофазным непостоянным током. Двойная изоляция электроинструмента согласно EN 60745-1 и IEC 60745 позволяет подключение электроинструмента к контактам без защитных клемм. Радиопомехи соответствуют директиве электромагнитной совместимости.

Этот электроинструмент с высокой производительностью предназначен для долбления в кирпичной кладке, бетоне и скалах.



Электроинструмент снабжен механизмом для снижения вибраций, который снижает вибрации более чем на 50%.

### ДО НАЧАЛА РАБОТЫ

- Проверьте напряжение электросети: оно должно соответствовать обозначенным на табличке техническим данным электроинструмента.
- Проверьте, в какой позиции находится переключатель. Электроинструмент следует подключать и отключать от электросети только при выключенном выключателе. Если штепсель будет включен в розетку при включенном выключателе, электроинструмент немедленно приводится в действие, что может привести к нежелательному инциденту.
- Убедитесь в исправности кабеля питания. В случае повреждения кабеля питания, его следует заменить специальным кабелем или узлом, обратившись к производителю или его сервисному специалисту во избежание возможных рисков.



**ПРЕДОСТЕРЕЖЕНИЕ:** Всегда отключайте электроинструмент и вынимайте штепсель из контакта до начала любой настройки или обслуживания.

- Если рабочая зона находится на расстоянии от источника питания, используйте возможно наиболее короткий удлинитель с подходящим сечением.
- Проверьте правильность и надежность монтажа дополнительной рукоятки.

### УСТАНОВКА SDS-MAX ИНСТРУМЕНТА

Почистите и смажьте хвостовую часть инструмента перед тем, как поставить его в гнездо! Во время вставления инструмента замыкающая муфта 2 задерживается в верхнем (переднем) положении. Свободно вставьте инструмент в веретено. Поворачивайте инструмент в веретене до совпадения шлицев. После совпадения шлицев инструмент вставляется вниз до упора (до отчетливого щелчка фиксирующего механизма). Проверьте, хорошо ли закреплен инструмент, сильно дергая его наружу.

### ДЕМОНТАЖ SDS-MAX ИНСТРУМЕНТА

Замыкающая муфта 2 вытягивается назад до конца и инструмент вытаскивается.

### ЗАМЕНА ПОЗИЦИИ ДОЛОТА

- Инструмент помещается в гнездо согласно описанию в пункте "Установка SDS-max инструмента".
  - Переключатель 6 поворачивается в положение "Замена позиции долота".
  - Инструмент повернуть рукой до желаемого положения.
  - Переключатель 6 установить в положение "молоток", после чего патрон инструмента прокрутить слегка рукой влево и вправо для фиксации защелки.
- Более длительную продолжительность годности электроинструмента и высокую производительность можно обеспечить лишь хорошо заточенными инструментами для разрушения и долбления.



## ПУСК-ОСТАНОВКА

- Пуск: Нажмите курок выключателя (5) в указанном направлении.
- Остановка: Нажмите кнопку выключения (4) в указанном направлении.



**ПРЕДОСТЕРЕЖЕНИЕ:** При низких температурах  $\leq 0^{\circ}\text{C}$  ( $32^{\circ}\text{F}$ ) или когда машина не работала продолжительное время (была на сохранении в магазине, складе или дома), при запуске машины возможно не будет ударного действия, так как смазка сгустилась. В этом случае включите машину и оставьте поработать на холостом ходу около 1,5 минуты, пока она не нагреется. Таким образом улучшается смазка и увеличивается продолжительность жизни инструмента.

## ВЫБОР ЧАСТОТЫ И ЭНЕРГИИ УДАРОВ

Поворотом регулятора 6 производится выбор подходящей частоты и энергии ударов в зависимости от обрабатываемого материала. Константная электроника поддерживает частоту и энергию ударов постоянными, независимо от нагрузки, которую обеспечивает оптимальный режим во время работы. Рекомендуется использовать указанные в таблице режимы работы.

Область применения	Позиция регулятора	Частота ударов
Штукатурка / легкие стройматериалы	<b>A-B</b>	1900-2085 min <sup>-1</sup>
Кирпичи / Снятие плитки	<b>C-D</b>	2265-2450 min <sup>-1</sup>
Разбивные работы по бетону	<b>E-G</b>	2630-3000 min <sup>-1</sup>

Поворот регулятора 6 из положения А в положение F вызывает увеличение скорости, частоты и энергии ударов. Индикатор 8 светит мигающим зеленым цветом. Когда регулятор 6 находится в положении G, индикатор 8 постоянно светит зеленым цветом. Режим характеризуется увеличением энергии до 9 J.

## ДОПОЛНИТЕЛЬНАЯ РУКОЯТКА

Всегда используйте дополнительную рукоятку.

Для того, чтобы изменить положение рукоятки, расслабьте затягивающую гайку 11. Поверните рукоятку в наиболее удобную для работы позицию, после чего хорошо ее затяните.

Не носите машину за дополнительную рукоятку, когда оно расшатана.

## РЕКОМЕНДАЦИИ ПО РАБОТЕ

Во время долбления применяйте умеренный натиск (приблизительно 100 - 150N). Значительный по силе натиск не повышает производительность и сокращает срок работы машины.

Наблюдайте степень остроты долота, производите замену долота в случае значительного понижения производительности.

## Обслуживание



**ПРЕДОСТЕРЕЖЕНИЕ:** Всегда выключайте электроинструмент и вынимайте штепсель из розетки перед тем, как приступить к любой проверке или обслуживанию.

## ОБЩАЯ ПРОВЕРКА

Регулярно проводите проверку всей крепежной - они должны быть крепко стянуты. В случае, если какой-либо винт открутился, его следует немедленно закрутить во избежание опасности.

В случае повреждения кабеля питания, его замену должен произвести изготовитель или его сервисный специалист, во избежание опасности.

## УХОД

Для обеспечения безопасной работы всегда поддерживайте в чистоте и машину, и ее вентиляционные отверстия.

Регулярно проверяйте вентиляционные отверстия электродвигателя или переключателей на наличие пыли или чужеродных тел. Используйте мягкую щетку для удалений пыли. Во избежание повреждения глаз, во время ухода за устройством пользуйтесь защитными очками.

Если корпус машины загрязнен, протрите его мягкой влажной салфеткой. Можно использовать щадящий моющий препарат.



**ПРЕДОСТЕРЕЖЕНИЕ:** Не допускается употребление спирта, бензина и прочих растворителей. Никогда не пользуйтесь разъедающими препаратами для чистки пластмассовых частей



**ПРЕДОСТЕРЕЖЕНИЕ:** Не допускается попадание и контакт устройства с водой.

**ВАЖНО!** В целях обеспечения безопасности работы электроинструмента и его надежности, все ремонтные работы, обслуживание и регулировку устройства (включительно проверку и замену щеток) следует проводить в специализированных сервисах SPARKY, используя исключительно оригинальные запасные части.

## ВСТРОЕННАЯ ПРОТИВОПЫЛЕВАЯ ЗАЩИТА

Защитное кольцо 1 предохраняет гнездо инструмента от загрязнения во время работы. При вставлении инструмента соблюдайте осторожность, чтобы не повредить защитное кольцо.



**ПРЕДОСТЕРЕЖЕНИЕ:** Незамедлительно заменяйте защитное кольцо в случае его повреждения!

Для замены защитного кольца 1 вытяните назад замыкающую муфту 2. Ухватите защитное кольцо и сильно вытяните его наискось вперед. Поставьте на веретено в слегка наклоненном положении новое защитное кольцо и сильно его прижмите.

## ИНДИКАЦИЯ “СЕРВИСНОЕ ОБСЛУЖИВАНИЕ”

Если красный светодиод начинает мигать, а машина продолжает работать нормально, необходима замена щеток. Через приблизительно 8 часов работы щетки полностью изнашиваются и задействует выключатель. Машина останавливается, а индикатор продолжает мигать красным цветом. Отнесите машину в авторизованный сервис для замены щеток и проведения профилактики.

Если машина перестает работать до истечения предупредительного 8-часового периода, а красный светодиод мигает, это означает, что электродвигатель вероятно поврежден. Если нет никакой световой индикации и машина не работает, это означает, что отсутствует питание машины или что выключатель или шнур питания повреждены.

## ПРОФИЛАКТИЧЕСКИЙ ОСМОТР

Следует периодически предоставлять электроинструмент авторизованному сервису SPARKY для проведения профилактического осмотра. Профилактические осмотры продлят жизнь вашему электроинструменту.

*Первый осмотр* -приблизительно через 70 часов работы.Проводится оценка функционирования машины и в случае необходимости осуществляется осмотр электроинструмента

*Второй осмотр* -приблизительно через 140 часов работы или после изнашивания щеток. Производится полное очищение электроинструмента, осмотр и устранение возникших или потенциальных деффектов (заменяются щетки и уплотняющие кольца).

*Третий осмотр* - приблизительно через 250 часов работы или после изнашивания щеток. Производится полное очищение электроинструмента, осмотр и устранение возникших или потенциальных деффектов (заменяются щетки и уплотняющие кольца).

*Четвертый осмотр* - через приблизительно 350 часов работы или после изнашивания щеток. Производится полное очищение электроинструмента, осмотр и устранение возникших или потенциальных деффектов (заменяются щетки и уплотняющие кольца).

## Гарантия

---

Гарантийный срок электроинструментов SPARKY указан в гарантийной карте.

Неисправности, появившиеся в результате естественного изнашивания, перегрузки или неправильной эксплуатации, не входят в гарантийные обязательства.

Неисправности, появившиеся вследствие применения некачественных материалов и/или из-за производственных ошибок, устраняются без дополнительной оплаты путем замены или ремонта.

Рекламации дефектного электроинструмента SPARKY принимаются в том случае, если машина будет возвращена поставщику, или специализированному гарантийному сервису в не разобранном (первоначальном) состоянии.

## Замечания

---

Внимательно прочтите всю инструкцию по эксплуатации перед тем, как приступить к использованию этого изделия.

Производитель сохраняет за собой право вносить в свои изделия улучшения и изменения, а также изменять спецификации без предупреждения.

Спецификации для разных стран могут различаться.

## Зміст

Введення .....	74
Технічні дані .....	76
Загальні вказівки з безпеки при роботі з електроприладами .....	77
Додаткові вказівки з техніки безпеки під час роботи з відбійними молотками .....	78
Ознайомлення з електроінструментом .....	A/79
Вказівки щодо роботи .....	B/79
Обслуговування .....	81
Гарантія .....	82

### РОЗПАКУВАННЯ

У відповідності з загальноприйнятими технологіями великосерійного виробництва, майже не існує ризику поломки Вашого електроінструменту, або відсутності будь-якої з його частин. Якщо ви все ж таки знайдете пошкодження, не використовуйте електроінструмент до тих пір, поки дефектна частина не буде замінена, а несправність - усунена. Порушення цієї рекомендації може призвести до нещасного випадку.

### ЗБІРКА

Відбійний молоток постачається в упаковці, у повністю зібраному вигляді.

## Введення

Придбаний Вами електроінструмент SPARKY перевершить Ваші очікування. Він зроблений у відповідності до високих стандартів якості SPARKY, що відповідають суворим вимогам споживача. Його легко обслуговувати і він безпечний при експлуатації, при правильному використанні цей електроінструмент буде служити Вам довгі роки.

### ЗАСТЕРЕЖЕННЯ!



Прочитайте уважно і цілком інструкцію з експлуатації, перед використанням новоприданого електроінструменту SPARKY. Зверніть спеціальну увагу на параграфи, позначених словом "Застереження". У Вашого електроінструменту SPARKY багато якостей, які полегшують роботу. При розробці цього інструменту основну увагу було направлено на безпеку, експлуатаційні якості і надійність, які полегшують його обслуговування і експлуатацію.



#### **Не викидайте електроінструменти разом з побутовими відходами!**

Відходи від електричних виробів не варто збирати разом з побутовими відходами. Будь ласка, викидайте в місцях, призначених для цього. Зв'яжіться з місцевою владою або представником для консультації щодо повторної переробки.

### ОХОРОНА НАВКОЛИШНЬОГО СЕРЕДОВИЩА



З урахуванням охорони навколишнього середовища електроінструмент, приналежності й упаковка повинні надати відповідній переробці для повторного використання сировини, що міститься в них. Для полегшення повторної переробки деталей, зроблених з штучних матеріалів, вони позначені відповідним чином.

## ОПИС СИМВОЛІВ

Табличка з даними електродріля містить спеціальні символи. Вони є важливою інформацією про використання інструмента та його характеристики.



Подвійна ізоляція для додаткового захисту.



Гарантований рівень звукової потужності  $L_{WA}$  відповідає вимогам Директиви 2000/14/ЕС.



Відповідає чинним європейським директивам.



Відповідає регламентам Митного союзу.



Відповідає вимогам українських нормативних документів.




Ознайомтеся з інструкцією з експлуатації.

YYYY-Www Термін виробництва, де змінними символами є:  
YYYY - рік випуску,  
ww - черговий календарний тиждень.

К Молоток відбійний.

# Технічні дані

Модель	K 615CE	K 920CE
Споживана потужність	1300W	1400W
Частота ударів на неробочому ході	1900-3000 min <sup>-1</sup>	1000-2350 min <sup>-1</sup>
Електронне регулювання частоти ударів	так	так
Енергія одиничного удару (ЕРТА процедура 05/2009)	9 J	13,5 J
Позиції долота	12	12
Система закріплення інструменту	SDS-max	SDS-max
Вага (ЕРТА процедура 01/2014)	6,6 kg	8,1 kg
Клас захисту (EN 60745-1) 	II	II

## ІНФОРМАЦІЯ ПРО ШУМ ТА ВІБРАЦІЇ

Значення, заміряні згідно EN 60745.

### Рівень шуму

A-зважений рівень звукового тиску L <sub>рА</sub>	95,0 dB(A)	97,5 dB(A)
Невизначеність K <sub>рА</sub>	3,0 dB(A)	3,0 dB (A)
A-зважений рівень звукової потужності L <sub>вА</sub>	106,0 dB(A)	108,5 dB (A)
Невизначеність K <sub>вА</sub>	3,0 dB(A)	3,0 dB (A)

### Використовуйте засоби для захисту від шуму!

### Випромінювання вібрацій \*

Сумарні значення вібрацій (векторна сума трьох напрямків) визначені відповідно до EN 60745:

Фрезерування бетону		
Значення випромінених вібрацій a <sub>h,СНеq</sub>	12,7 m/s <sup>2</sup>	16,6 m/s <sup>2</sup>
Невизначеність K <sub>СНеq</sub>	1,5 m/s <sup>2</sup>	1,5 m/s <sup>2</sup>

\* Рівень вібрацій визначений згідно п. 6.2.7 EN 60745.

Вказаний в інструкції рівень вібрацій виміряний відповідно до встановлених EN 60745 методик випробувань, і може використовуватися для порівняння електроінструментів. Рівень вібрацій може використовуватися для попередньої оцінки впливу.

Зазначений рівень вібрацій надано за умови використання інструменту за його прямим призначенням. У тих випадках, коли електроінструмент використовується для інших цілей, з іншими речами, рівень вібрацій може відрізнятись від зазначеного. У цих випадках рівень впливу може значно зрости в рамках загального періоду роботи.

Для точної оцінки впливу вібрацій, під час певного періоду роботи необхідно враховувати проміжки часу, в які електроінструмент вимкнено, або хоча і включений, але фактично не використовується. Це може істотно скоротити вплив вібрацій протягом всього періоду роботи.

Зберігайте електроінструмент і його речі в гарному стані. Під час роботи намагайтеся зберігати руки теплими - це допоможе зменшити шкідливий вплив при роботі з підвищеною вібрацією.

Пил матеріалів, наприклад - фарби з вмістом свинцю, деяких сортів деревини, мінералів і металу може бути шкідливим для здоров'я. Дотик до пилу і потрапляння пилу в дихальні шляхи може викликати алергічні реакції та / або захворювання дихальних шляхів оператора або персоналу, що знаходиться поблизу.

Певні види пилу, наприклад, з дуба та бука, вважаються канцерогенними, особливо, спільно з присадками для обробки деревини (хромат, засіб для захисту деревини, тощо). Матеріал з вмістом азбесту дозволяється обробляти тільки фахівцям.

- По можливості застосовуйте відсмоктування пилу.
- Для досягнення максимально високої ефективності збирання пилу при роботі з даним приладом, використовуйте пиლოსос, призначений для збору пилу з деревини або для пилу з деревини та / або мінерального пилу.
- Слідкуйте за хорошою вентиляцією.
- Рекомендується користуватися дихальною захисною маскою з фільтром класу P2.

Дотримуйтесь розпорядження щодо оброблюваних матеріалів, що діють у Вашій країні.

# Загальні вказівки з безпеки при роботі з електроприладами



**ЗАСТЕРЕЖЕННЯ!** Прочитайте всі попередження і вказівки з безпеки. Недодержання попереджень і вказівок з безпеки може призвести до ураження електричним струмом, пожежі та / або важкого поранення.

**Збережіть всі попередження та вказівки для подальшого використання.**

Термін “електроприлад” у всіх зазначених нижче попередженнях стосується вашого електроприладу, з живленням від мережі (з кабелем), та / або електроприладу з живленням від акумуляторної батареї (без кабелю).

## 1) Безпека робочого місця

- a) Утримайте робоче місце в чистоті і добре освітленим. Безлад і недостатнє освітлення є передумовою виникнення трудових інцидентів.
- b) Не працюйте з електроприладами у вибухонебезпечній атмосфері при наявності займих рідин, газів або пилу. Електроприлади створюють іскри, що можуть займати пил або пари.
- c) Тримайте дітей та сторонніх осіб на відстані, коли працюєте з електроприладом. Розсіювання уваги може призвести до втрати контролю з Вашого боку.

## 2) Електрична безпека

- a) Штепселі електроприладів повинні відповідати контактним гніздам. Ніколи не змінюйте штепсель у будь-який спосіб. Не використовуйте будь-які адаптерні штепселі для електроприладів із захисним заземленням. Використання оригінальних штепселів і відповідних їм контактів зменшує ризик удару електричним струмом.
- b) Уникайте дотику тіла з землею або заземленими поверхнями, такими як труби, радіатори, кухонні плити та холодильники. Якщо ваше тіло заземлене, існує підвищений ризик ураження електричним струмом.
- c) Не залишайте електроприлади під

дощем або у вологому середовищі. Проникнення води в електроприлади підвищує ризик ураження електричним струмом.

- d) Використовуйте кабель за призначенням. Ніколи не використовуйте кабель для перенесення електроприладу, нагягування або відключення штепселя з контактного гнізда. Тримайте кабель далеко від тепла, олії, гострих кутів, що рухаються. Пошкоджені або заплутані кабелі підвищують ризик поразок електричним струмом.
- e) Під час зовнішніх робіт використовуйте подовжувач, що підходить для цих цілей. Використання подовжувача, призначеного для зовнішніх робіт, зменшує небезпеку від ураження електричним струмом.
- f) У випадку, якщо робота з електроприладом у вологому середовищі неминуча, використовуйте запобіжний пристрій, який робить на залишковому струмі для переривання подачі струму. Використання запобіжного пристрою зменшує ризик ураження електричним струмом.

## 3) Особиста безпека

- a) Будьте пильні, працюйте з підвищеною увагою і проявляйте розсудливість, коли працюєте з електроприладом. Не використовуйте електроприлад, коли ви стомлені, або під впливом наркотиків, алкоголю, медикаментів, тощо. Одна мить не уваги при роботі з електроприладом може призвести до серйозної виробничої травми.
- b) Використовуйте індивідуальні засоби захисту. Носіть завжди захисні окуляри. Індивідуальні засоби захисту, такі як маска проти пилу, неслизьке взуття, захисний шолом або засоби для захисту слуху, що використовуються в конкретних умовах, знижують ризик виникнення виробничих травм.
- c) Уникайте мимовільного пуску інструменту. Переконайтеся, що вимикач знаходиться в положенні “вимкнено” перед включенням в джерело живлення та / або акумуляторної батареї, перед тим, візьмете в руки або перенесите. Носіння електроприладу з пальцем на вимикачі або підключення до джерела живлення електроінструменту з вимикачем у включеному положенні

є передумовою для виробничої травми.

- d) **Видаліть кожен гайковий ключ перед включенням електроприладу.** Ключ для затягування або гайковий ключ, прикріплений до частини електроприладу, що обертається, може призвести до трудового інциденту.
- e) **Не простягайтесь занадто.** Підтримуйте правильне положення і рівновагу протягом всієї роботи. Це дозволить краще керувати електроприладом у несподіваних ситуаціях.
- f) **Носіть придатний одяг. Не носіть широкий одяг або прикраси.** Тримайте своє волосся, одяг і рукавички далеко від рухомих частин. Широкий одяг, біжутерія та довге волосся можуть потрапити в рухомі частини.
- g) **Якщо електроприлад має пристосування для пилу, переконайтеся, що воно правильно встановлено і правильно використовується.** Використання цих пристроїв може знизити пов'язані з пилом небезпеки.

#### 4) Експлуатація і догляд за електроприладами

- a) **Не перевантажуйте електроприлад.** Використовуйте правильно вибраний електроприлад згідно з його призначенням. Правильно підібраний електроприлад працює краще і безпечніше для оголошеного режиму роботи, для якого він спроектований.
- b) **Не використовуйте електроприлад у випадку, якщо вимикач не переходить у включену і виключену позицію.** Кожен електроприлад, який не може управлятися за допомогою вимикача, є небезпечним і підлягає ремонту.
- c) **Вимкніть штепсель від електромережі перед тим, як почати будь-які налаштування, перед заміною приладдя або перед тим, як приборати електроприлад для зберігання.** Ці запобіжні заходи знижують ризик мимовільного пуску електроприладу.
- d) **Зберігайте невикористані електроприлади в місцях, недоступних для дітей, і не дозволяйте користуватися ним обслуговуючому персоналу, який не знайомий з електроприладом або інструкціями з експлуатації.** Електроприлади є небезпечними в руках ненавчених споживачів.
- e) **Перевіряйте електроприлади.** Перевіряйте, чи працюють нормально і

рухаються вільно рухомі частини, чи знаходяться в цілості і справності усі частини, а також перевіряйте всі інші обставини, які можуть негативно вплинути на роботу електроприладу. У разі ушкоджень електроприлад необхідно відремонтувати перед його подальшим використанням. Багато інцидентів заподіюються у випадку поганого обслуговування електроприладів.

- f) **Підтримуйте різучі інструменти гострими і чистими.** Правильно підтримані різучі інструменти з гострими кутами рідше блокуються і простіше управляються.
- g) **Використовуйте електроприлад, приналежності (комплектуючі) і частини інструменту і т.д. відповідно до цих інструкцій та у засіб, передбачений для конкретного типу електроприладу, маючи на увазі робочі умови і роботу, яку необхідно виконувати.** Використання електроприладу для роботи не за призначенням може призвести до небезпечної ситуації.

#### 5) Технічне обслуговування

- a) **Ремонтуйте ваш електроприлад у кваліфікованого фахівця з ремонту, при цьому використовуйте тільки оригінальні запасні частини.** Це забезпечує безпеку електроприладу.

## Додаткові вказівки з техніки безпеки під час роботи з відбійними молотками

Відламки, що відламуються при роботі з електроінструментом і торкання рухомих частин, а також втрата контролю можуть призвести до важких фізичних травм, а шум під час тривалої роботи - до пошкодження слуху, якщо не дотримуватися інструкцій з безпеки і перерахованих нижче правил.



**Використовуйте засоби захисту слуху під час тривалої роботи.** Інтенсивний шум під час роботи може пошкодити слух.



- **Завжди використовуйте додаткову рукоятку, що йде у комплект із машиною.** Втрата контролю може призвести до нещасного випадку.



Під час роботи використовуйте засоби захисту зору від частинок, що розлітаються. Носіть захисні окуляри.



Прийміть запобіжні заходи проти вдихання пилу. Деякі матеріали можуть містити токсичні компоненти. Носіть захисну маску. Підключіть інструмент до пристрою для видалення пилу (якщо це можливо).

- **Якщо існує можливість контакту ріжучого приладдя з прихованою електропроводкою або з власним дротом живлення, тримайте електроінструмент тільки за ізольовані поверхні рукояток.** Контакт приладдя зі струмоведучим проводом ставить під напругу також відкриті металеві частини електроінструменту і може призвести до ураження оператора електричним струмом.
- Не обробляйте матеріали, що містять азбест. Азбест вважається канцерогенною речовиною.
- Під час роботи тримати машину міцно двома руками і підтримувати стабільне положення тіла. Електроінструментом можна управляти безпечно тільки тримаючи його обома руками.
- Вийміть штепсель із контакту перед початком будь-яких робіт з регулювання, ремонту або обслуговування, а також у разі падіння напруги у мережі живлення.
- Тримати кабель живлення поза зоною дії відбійного молотка.
- Не допускається робота у разі пошкодження кабелю живлення або штепселя. Заміну пошкодженого кабелю живлення повинен виконати виробник або уповноважений ним сервісний фахівець, щоб уникнути небезпеки невідповідної заміни.
- Перед початком роботи обов'язково перевірте відповідним металощукачем наявність прихованої електропроводки, газопровідних або водопровідних труб, або забезпечте сприяння відповідних місцевих служб. Дотик прихованої електропроводки може призвести до ураження електричним струмом. Пошкодження газопроводу може призвести до вибуху. Пошкодження водопроводу може бути причиною матері-

альних збитків або ураження електричним струмом.

- Електроінструмент не можна використовувати під відкритим небом під час дощової погоди, у вологому середовищі (після дощу) або у близькості до легкозаймистих рідин і газів. Робоче місце має бути добре освітлене.

## Ознайомлення з електроінструментом

До початку роботи, ознайомтеся з усіма робочими характеристиками інструменту та умовами техніки безпеки.

Використовуйте електроінструмент і його приладдя тільки за призначенням. Будь-яке інше застосування категорично заборонене.

1. Захисне кільце
2. Замикаюча муфта
3. Перемикач
4. Кнопка вимикання
5. Курок вимикача
6. Регулятор частоти обертання
7. Індикатор зношування щіток і перевантаження
8. Індикатор режиму
9. Вентиляційні отвори
10. Вентиляційні отвори
11. Затягуюча гайка
12. Додаткова рукоятка

## Вказівки щодо роботи

Цей електроінструмент живиться однофазним непостійним струмом. Подвійна ізоляція електроінструмента згідно EN 60745-1 й IEC 60745 дозволяє підключення електроінструменту до контактів без захисних клем. Радіоперешкоди відповідають директиві електромагнітної сумісності.

Цей електроінструмент із високою продуктивністю призначений для довбання у цегляні кладці, бетоні і скелях.

Електроінструмент оснащений механізмом для зниження вібрацій, який знижує вібрації більш ніж на 50%.

## ДО ПОЧАТКУ РОБОТИ

- Перевірте напругу електромережі: вона повинна відповідати позначеним на табличці технічним даним електроінструменту.
- Перевірте, в якій позиції знаходиться перемикач. Електроінструмент слід підключати та відключати від електромережі тільки, коли вимкнено перемикач. Якщо штепсель буде вставлений у розетку при увімкненому перемикачі, електроінструмент негайно почне працювати, що може призвести до небажаного інциденту.
- Переконайтеся у справності кабелю живлення. У разі пошкодження кабелю живлення, його слід замінити спеціальним кабелем або вузлом, звернувшись до виробника або спеціаліста сервісного центру, щоб уникнути можливих ризиків.



**ЗАСТЕРЕЖЕННЯ:** Завжди вимикайте електроінструмент та виймайте штепсель з розетки перед тим, як здійснювати будь-які налаштування або обслуговування.

- Якщо робоча зона знаходиться на відстані від джерела живлення, використовуйте найкоротший подовжувач із відповідним перерізом.
- Перевірте правильність і надійність монтажу додаткової рукоятки.

## УСТАНОВКА SDS-MAX ІНСТРУМЕНТУ

Почистіть і змастіть хвостову частину інструменту перед тим, як поставити його у гніздо! Під час вставляння інструменту замикаюча муфта 2 затримується у верхньому (передньому) положенні. Вільно вставте інструмент у веретено. Повертайте інструмент у веретені до збігу шліців. Після збігу шліців інструмент вставляється вниз до упору (до виразного клацання фіксуючого механізму). Перевірте, чи добре закріплений інструмент, сильно смикаючи його назовні.

## ДЕМОНТАЖ SDS-MAX ІНСТРУМЕНТУ

Замикаюча муфта 2 витягується назад до кінця й інструмент витягується.

## ЗАМІНА ПОЗИЦІЇ ДОЛОТА

- Інструмент встановлюється у гніздо згідно з описом в пункті “Установка SDS-max інструменту”.
  - Перемикач 6 повертається у положення “Заміна позиції долота”.
  - Поверніть інструмент вручну до бажаного положення.
  - Перемикач 6 встановити у положення “молоток”, після чого патрон інструменту прокрутити злегка рукою вліво і вправо для фіксування засувки.
- Більший термін придатності електроінструменту і високу продуктивність можна забезпечити лише добре заточеними інструментами для руйнування і довбання.

## ПУСК - ЗУПИНКА

- Пуск: Натисніть курок перемикача (5) у зазначеному напрямку.
- Зупинка: Натисніть кнопку вимкнення (4) у зазначеному напрямку.



**ЗАСТЕРЕЖЕННЯ:** За низьких температур  $\leq 0^{\circ}\text{C}$  ( $32^{\circ}\text{F}$ ) або коли машина не працювала тривалий час (перебувала на збереженні у магазині, складі або будинку), у разі запуску машини можливо не буде ударної дії, оскільки змащення згустилося. У цьому випадку увімкніть машину і залиште працювати на холостому ходу близько 1,5 хвилини, поки вона не нагріється. Таким чином поліпшується змащення і збільшується термін експлуатації інструменту.

## ВИБІР ЧАСТОТИ ТА СИЛИ УДАРІВ

Поворотом регулятора 6 здійснюється вибір відповідної частоти та сили ударів у залежності від оброблюваного матеріалу. Константна електроніка підтримує частоту та силу ударів постійними, незалежно від навантаження, що забезпечує оптимальний режим під час виконання роботи. Рекомендується використовувати зазначені у таблиці режими роботи.

Сфера застосування	Позиція регулятора	Частота ударів
Штукатурка / легкі будматеріали	A-B	1900-2085 min <sup>-1</sup>
Цегла / Зняття плитки	C-D	2265-2450 min <sup>-1</sup>
Руйнуючі роботи по бетону	E-G	2630-3000 min <sup>-1</sup>

Поворот регулятора 6 з положення А у положення F викликає збільшення швидкості, частоти та енергії ударів. Індикатор 8 світить миготливим зеленим кольором.

Коли регулятор 6 знаходиться у положенні G, індикатор 8 постійно світиться зеленим кольором. Режим характеризується збільшенням енергії до 9 J.

### ДОДАТКОВА РУКОЯТКА

Завжди використовуйте додаткову рукоятку. Для того, щоб змінити положення рукоятки, послабте затягуючи гайку 11. Поверніть рукоятку у найбільш зручну для роботи позицію, після чого добре її затягніть. Не несіть машину за додаткову рукоятку, якщо вона розхитана.

### РЕКОМЕНДАЦІЇ ЩОДО РОБОТИ

Під час довбання застосовуйте помірний натиск (приблизно 100 - 150N). Значний за силою натиск не підвищує продуктивність і скорочує термін експлуатації машини. Пильнуйте за ступенем гостроти долота, здійснюйте заміну долота у разі значного зниження продуктивності.

## Обслуговування



**ЗАСТЕРЕЖЕННЯ:** Завжди ви-микайте електроінструмент та виймайте штепсель із розетки перед тим, як розпочати будь-яку перевірку або обслуговування.

### ЗАГАЛЬНА ПЕРЕВІРКА

Регулярно проводьте перевірку всіх кріплень: вони повинні бути міцно стягнуті. У випадку, якщо який-небудь гвинт відкрутиться, його слід негайно закрутити щоб уникнути небезпеки.

У разі пошкодження кабелю живлення, його заміну повинен здійснити виробник або його сервісний фахівець, щоб уникнути небезпеки.

### ДОГЛЯД

Для забезпечення безпечної роботи завжди підтримуйте у чистоті і машину, і її вентиляційні отвори.

Регулярно перевіряйте вентиляційні отвори електродвигуна або перемикачів на наявність пилу або сторонніх тіл. Використовуйте м'яку щітку для видалення пилу. Щоб уникнути пошкодження очей, під час догляду за пристроєм користуйтеся захисними окулярами.

Якщо корпус машини забруднений, протріть його м'якою вологою серветкою. Можна використовувати м'який миючий препарат.



**ЗАСТЕРЕЖЕННЯ:** Не допускається застосування спирту, бензину та інших розчинників. Ніколи не користуйтеся їдкими препаратами для чищення пластмасових частин.



**ЗАСТЕРЕЖЕННЯ:** Не допускається попадання і контакт пристрою з водою.

**ВАЖЛИВО!** З метою забезпечення безпеки роботи електроінструменту і його надійності, всі ремонтні роботи, обслуговування і регулювання пристрою (враховуючи перевірку і заміну щіток) слід проводити у спеціалізованих сервісах SPARKY, використовуючи виключно оригінальні запасні частини.

### ВБУДОВАНИЙ ПРОТИПИЛОВИЙ ЗАХИСТ

Захисне кільце 1 захищає гніздо інструменту від забруднення під час роботи. Під час вставляння інструменту поведіться обережно, щоб не пошкодити захисне кільце.



**ЗАСТЕРЕЖЕННЯ:** Негайно замініть захисне кільце у разі його пошкодження!

Для заміни захисного кільця 1, переведіть назад замикаючу муфту 2. Вхопіть захисне кільце і сильно витягніть його навкіс вперед. Поставте на веретено у злегка нахиленому положенні нове захисне кільце і сильно його притисніть.

## ІНДИКАЦІЯ “СЕРВІСНЕ ОБСЛУГОВУВАННЯ”

Якщо червоний світлодіод починає блимати, а машина продовжує працювати нормально, необхідна заміна щіток. Через приблизно 8 годин роботи щітки повністю зношуються і задіюють вимикач. Машина зупиняється, а індикатор продовжує блимати червоним кольором. Віднесіть машину в авторизований сервіс для заміни щіток і проведення профілактики.

Якщо машина перестає працювати до закінчення попереджувального 8-годинного періоду, а червоний світлодіод блимає, це означає, що електродвигун ймовірно пошкоджений. Якщо немає ніякої світлової індикації і машина не працює, це означає, що відсутнє живлення машини або що вимикач або шнур живлення пошкоджені.

## ПРОФІЛАКТИЧНИЙ ОГЛЯД

Слід періодично відносити електроінструмент до авторизованого сервісу SPARKY для проведення профілактичного огляду. Профілактичні огляди продовжать термін експлуатації вашому електроінструменту.

*Перший огляд* - приблизно через 70 годин роботи. Проводиться оцінка функціонування машини й у разі необхідності здійснюється огляд електроінструменту.

*Другий огляд* - приблизно через 140 годин роботи або після зношування щіток. Проводиться повне очищення електроінструменту, огляд та усунення виниклих або потенційних дефектів (замінюються щітки й ущільнюючі кільця).

*Третій огляд* - приблизно через 250 годин роботи або після зношування щіток. Проводиться повне очищення електроінструменту, огляд та усунення виниклих або потенційних дефектів (замінюються щітки й ущільнюючі кільця).

*Четвертий огляд* - через приблизно 350 годин роботи або після зношування щіток. Проводиться повне очищення електроінструменту, огляд й усунення виниклих або потенційних дефектів, замінюються щітки і ущільнюючі кільця).

## Гарантія

Гарантійний термін електроприладів SPARKY вказаний в гарантійній карті.

Несправності, що з'явилися в результаті природного зношування, перевантаження або неправильного користування, не входять до гарантійних зобов'язань.

Несправності, що з'явилися внаслідок застоювання неякісних матеріалів та / або через виробничі помилки, усуваються без додаткової оплати шляхом заміни або ремонту.

Рекламації дефектного електроприладу SPARKY приймаються у тому випадку, якщо прилад буде повернуто постачальнику, або спеціалізованому гарантійному сервісу в не розібраному (початковому) стані.

## Примітки

Уважно прочитайте всю інструкцію з експлуатації, перед тим, як приступити до використання виробу.

Виробник зберігає за собою право вносити у свої вироби поліпшення і зміни, а також змінювати специфікації без попередження.

Специфікації для різних країн можуть відрізнятися.

## Съдържание

Въведение .....	83
Технически данни .....	85
Общи указания за безопасност при работа с електроинструменти .....	86
Допълнителни правила за безопасност при работа с ударни чукове .....	87
Запознаване с електроинструмента .....	A/88
Указания за работа .....	B/89
Поддръжка .....	90
Гаранция .....	92

### РАЗОПАКОВАНЕ

В съответствие с общоприетите технологии на производство е малко вероятно Вашият електроинструмент да бъде неизправен или някоя от частите му да липсва. Ако забележите, че нещо не е наред, не работете с електроинструмента, докато повредената част не бъде заменена или неизправността не бъде отстранена. Неспазването на тази препоръка може да доведе до сериозна трудова злополука.

### СГЛОБЯВАНЕ

Ударният чук се доставя опакован и напълно сглобен.

## Въведение

Новопридобитият от Вас електроинструмент SPARKY ще надхвърли Вашите очаквания. Той е произведен в съответствие с високите стандарти на качеството на SPARKY, отговарящи на строгите изисквания на потребителя. Лесен за обслужване и безопасен при експлоатация, при правилна употреба този електроинструмент ще Ви служи надеждно дълги години.

### ПРЕДУПРЕЖДЕНИЕ!



Внимателно прочетете цялата инструкция за използване преди да използвате новопридобития си електроинструмент SPARKY. Обърнете специално внимание на текстовете, които започват с думата “Предупреждение”. Вашият електроинструмент SPARKY притежава много качества, които ще улеснят Вашата работа. При разработката на този електроинструмент най-голямо внимание е обърнато на безопасността, експлоатационните качества и надеждността, които го правят лесен за поддръжка и експлоатация.



#### Не изхвърляйте електроинструменти заедно с битовите отпадъци!

Отпадъците от електрически изделия не трябва да се събират заедно с битовите отпадъци. Моля, рециклирайте на местата, предназначени за това. Свържете се с местните власти или представител за консултация относно рециклирането.

### ОПАЗВАНЕ НА ОКОЛНАТА СРЕДА



С оглед опазване на околната среда електроинструментът, принадлежностите и опаковката трябва да бъдат подложени на подходяща преработка за повторно използване на съдържащите се в тях суровини.

За облекчаване на рециклирането детайлите, произведени от изкуствени материали, са обозначени по съответния начин.

## ОПИСАНИЕ НА СИМВОЛИТЕ

Върху табелката с данни на електроинструмента са означени специални символи. Те предоставят важна информация за изделието или инструкциите за неговото ползване.



Двойна изолация за допълнителна защита.



Гарантирано ниво на звукова мощност  $L_{WA}$  съгласно изискванията на Директива 2000/14/ЕС.



Съответства на приложимите европейски директиви.



Съответства на изискванията на регламентите на Митническия съюз.



Съответства на изискванията на украинските нормативни документи.




Запознайте се с инструкцията за използване.

YYYY-Www      Период на производство, където променливи символи са:

YYYY - година на производство,  
ww - поредна календарна седмица.

К                    Ударен чук.

# Технически данни

Модел	K 615CE	K 920CE
Консумирана мощност	1300W	1400W
Честота на ударите на празен ход	1900-3000 min <sup>-1</sup>	1000-2350 min <sup>-1</sup>
Електронно регулиране на честотата на ударите	да	да
Енергия на единичен удар (ЕРТА процедура 05/2009)	9 J	13,5 J
Позиции на длетото	12	12
Система на закрепване на инструмента	SDS-max	SDS-max
Тегло (ЕРТА процедура 01/2014)	6,6 kg	8,1 kg
Клас на защита (EN 60745-1) 	II	II

## ИНФОРМАЦИЯ ЗА ШУМ И ВИБРАЦИИ

Стойностите са измерени съгласно EN 60745.

### Излъчване на шум

A-претеглено ниво на звуково налягане $L_{pA}$	95,0 dB (A)	97,5 dB(A)
Неопределеност $K_{pA}$	3,0 dB (A)	3,0 dB (A)
A-претеглено ниво на звукова мощност $L_{wA}$	106,0 dB (A)	108,5 dB (A)
Неопределеност $K_{wA}$	3,0 dB (A)	3,0 dB (A)

### Използвайте средства за защита от шума!

### Излъчване на вибрации \*

Обща стойност на вибрациите (векторна сума по трите оси), определена съгласно EN 60745:

Къртене		
Стойност на излъчените вибрации $a_{h,CHeg}$	12,7 m/s <sup>2</sup>	16,6 m/s <sup>2</sup>
Неопределеност $K_{CHeg}$	1,5 m/s <sup>2</sup>	1,5 m/s <sup>2</sup>

\* Вибрациите са определени съгласно т. 6.2.7 на EN 60745.

Посоченото в тази инструкция ниво на вибрации е измерено в съответствие с методиката за изпитване, указана в EN 60745 и може да се използва за сравняване на електроинструменти. Нивото на вибрации може да се използва за предварителна оценка на степента на въздействие. Декларираното ниво на вибрации се отнася за основното предназначение на електроинструмента. В случаите, при които електроинструментът се използва за друго предназначение, с други принадлежности или ако електроинструментът не се поддържа добре, нивото на вибрации може се различава от посоченото. В тези случаи нивото на въздействие може значително да нарасне в границите на общия период на работа.

При оценката на нивото на въздействие на вибрации трябва също да се отчита времето, през което електроинструментът е изключен или е включен, но не се използва. Това може значително да понижи нивото на въздействие в границите на общия период на работа.

Поддържайте електроинструмента и принадлежностите в добро състояние. Пазете ръцете си топли по време на работа - това ще намали вредното въздействие при работа с повишени вибрации.

Прахът, отделян при обработването на материали като оловосъдържащи бои, някои видове дървесина, минерали и метали, може да бъде опасен за здравето. Допирът или вдишването на праха може да предизвика алергични реакции и/или заболявания на дихателните пътища на оператора или на намиращи се в близост лица.

Някои видове прах, например от дъб или бук, се считат за канцерогенни, особено в комбинация с добавки за обработка на дървесина (хромат, консерванти). Материал, който съдържа азбест, трябва да се обработва само от специалисти.

- Когато това е възможно, използвайте прахоотвеждане.
- За да се постигне висока степен на прахоулавяне, при работа с този електроинструмент използвайте прахосмукачка, предназначена за събиране на прах от дървесина или за прах от дървесина и/или минерален прах.
- Осигурете добра вентилация на работното място.
- Препоръчва се използването на защитна маска за прах с филтър клас P2.

Спазвайте действащите във вашата страна разпоредби за обработване на съответните материали.



# Общи указания за безопасност при работа с електро- инструменти



**ПРЕДУПРЕЖДЕНИЕ!** Четете всички предупреждения и указания за безопасност. Неспазването на предупрежденията и указанията за безопасност може да предизвика поражение от електрически ток, пожар и/или сериозно нараняване.

Запазете всички предупреждения и указания за бъдещо ползване.

Терминът “електроинструмент” във всички описани по-долу предупреждения се отнася до вашия електроинструмент, захранван от мрежата (с шнур) и/или електроинструмент, захранван от акумулаторна батерия (без шнур).

## 1) Безопасност на работното място

- Поддържайте работното място чисто и добре осветено. Безпорядъкът и недостатъчното осветление са предпоставка за трудови злополуки.
- Не работете с електроинструменти в експлозивни атмосфери при наличие на запалими течности, газове или прах. Електроинструментите образуват искри, които могат да възпламенят праха или парите.
- Дръжте децата и страничните лица на разстояние, когато работите с електроинструмент. Разсейването може да доведе до загуба на контрол от Ваша страна.

## 2) Електрическа безопасност

- Щепселите на електроинструментите трябва да съответстват на контактите. Никога не променяйте щепсела по какъвто и да било начин. Не използвайте каквито и да са адаптерни щепсели за електроинструменти със защитно заземяване. Употребата на непроменени щепсели и съответстващите им контакти намалява риска за поражение от електрически ток.
- Избягвайте допир на тялото до земя или до заземени повърхности, такива като тръби, радиатори, кухненски

печки и хладилници. Ако тялото ви е заземено, съществува повишен риск от поражение от електрически ток.

- Не излагайте електроинструментите надъжд или във влажна среда. Проникването на вода в електроинструмента повишава риска от поражение от електрически ток.
- Използвайте шнура по предназначение. Никога не използвайте шнура за носене на електроинструмента, опъване или изваждане на щепсела от контактното гнездо. Дръжте шнура далече от топлина, масло, остри ръбове или движещи се части. Уредени или оплетени шнурове повишават риска за поражение от електрически ток.
- При работа с електроинструмента на открито, използвайте удължител, подходящ за работа на открито. Използването на удължител, подходящ за работа на открито, намалява риска от поражение от електрически ток.
- Ако работата с електроинструмента във влажна среда е неизбежна, използвайте предпазно устройство, задействано от остатъчен ток, за прекъсване на захранването. Използването на предпазно устройство намалява риска от поражение от електрически ток.

## 3) Лична безопасност

- Бъдете бдителни, работете с повишено внимание и проявявайте благоразумие, когато работите с електроинструмент. Не използвайте електроинструмента, когато сте уморени или под влияние на наркотици, алкохол или медикаменти. Момент на невнимание при работа с електроинструмент може да предизвика сериозна трудова злополука.
- Използвайте лични предпазни средства. Носете винаги средства за защита на очите. Лични предпазни средства, като маска против прах, непълзаещи се безопасни обувки, защитен шлем или средства за защита на слуха, използвани при конкретните условия, намаляват риска от трудови злополуки.
- Избягвайте неволно пускане. Убедете се, че прекъсвачът е в изключено положение преди включване към източник на захранване и/или акумулаторна батерия, преди да го вземете или пренасяте. Носенето на

електроинструмент с пръст върху прекъсвача или свързането към източник на хранване на електроинструмент с прекъсвач във включено положение е предпоставка за трудова злополука.

- d) **Отстранете всеки ключ за затягане или гаечен ключ преди включване на електроинструмента.** Ключ за затягане или гаечен ключ, прикрепен към въртяща се част на електроинструмента, може да предизвика трудова злополука.
- e) **Не се пресягайте.** Поддържайте правилен стоеж и равновесие през цялото време. Това позволява по-добро управление на електроинструмента при неочаквани ситуации.
- f) **Носете подходящо работно облекло.** Не носете широки дрехи или бижута. Дръжте косите си, дрехите и ръкавиците далеч от движещи се части. Широки дрехи, бижута или дълги коси могат да се захванат от движещи се части.
- g) **Ако електроинструментът е снабден с приспособления за засмукване и улавяне на прах, убедете се, че те са свързани и правилно използвани.** Използването на тези устройства може да намали свързаните с прах опасности.

#### 4) Използване и грижи за електроинструментите

- a) **Не претоварвайте електроинструмента.** Използвайте правилно избрания електроинструмент според приложението. Правилно избраният електроинструмент работи по-добре и по-безопасно при обявения режим на работа, за който е проектиран.
- b) **Не използвайте електроинструмента, ако прекъсвачът не превключва във включено и изключено положение.** Всеки електроинструмент, който не може да бъде управляван с прекъсвач, е опасен и трябва да бъде ремонтиран.
- c) **Разединете щепсела от захранващата мрежа преди да извършите всякакви настройки, преди замяна на принадлежности или преди да приберете електроинструмента за съхранение.** Тези предпазни мерки за безопасност намаляват риска от неволно пускане на електроинструмента.
- d) **Съхранявайте неизползваните електроинструменти на места, недос-**

тъпни за деца и не позволявайте на обслужващи лица, които не познават електроинструмента или не са запознати с тези инструкции, да работят с него. Електроинструментите са опасни в ръцете на необучени потребители.

- e) **Поддържайте електроинструментите.** Проверявайте движещите се части дали функционират нормално и се движат свободно, целостта и изправността на частите, както и за всякакво друго обстоятелство, което може неблагоприятно да повлияе на работата на електроинструмента. Ако е повреден, електроинструментът трябва да бъде ремонтиран преди по-нататъшно използване. Много злополуки са причинени от лошо поддържани електроинструменти.
- f) **Поддържайте режещите инструменти остри и чисти.** Правилно поддържаните режещи инструменти с остри режещи ръбове е по-малко вероятно да блокират и са по-лесни за управление.
- g) **Използвайте електроинструмента, принадлежностите и частите на инструмента и т.н. в съответствие с тези инструкции и по начин, предвиден за конкретния тип електроинструмент, като вземате предвид работните условия и работата, която трябва да се извършва.** Използването на електроинструмента за работа, различна от тази, за която е проектиран, може да предизвика опасна ситуация.

#### 5) Обслужване

- a) **Поддържайте вашия електроинструмент при квалифициран специалист по ремонта, като използвате само оригиналните резервни части.** Това осигурява запазването на безопасността на електроинструмента.

## Допълнителни указания за безопасност при работа с ударни чукове

Отделящите се при работа с електроинструмента отломки и докосването на движещи се негови части, както и загубата на контрол, могат да предизвикат тежки физи-

чески травми, а шумът при продължителна работа – слухови увреждания, ако не се спазват инструкциите за безопасност и долуприложените правила.



**Използвайте средства за защита на слуха при работа с ударни чукове. Интензивният шум по време на работа може да предизвика слухови увреждания.**

▪ **Винаги използвайте допълнителната ръкохватка, доставена с машината. Загубата на контрол може да предизвика трудова злополука**



**По време на работа използвайте средства за защита на зрението, за да се предпазите от хвърчащи частици. Носете защитни очила.**



**Вземете предпазни мерки срещу вдихване на прах. Някои материали могат да съдържат токсични съставки. Носете прахозащитна маска. Използвайте устройство за прахоотвеждане.**

▪ **Дръжте електроинструмента само за изолираните повърхности за захващане когато извършвате операция, при която режещата принадлежност може да допре до скрита ел.инсталация или до собствения шнур. Допирът на режещата принадлежност до проводник под напрежение ще постави откритите метални части на електроинструмента под напрежение и операторът ще получи токов удар.**

▪ Не обработвайте материали, съдържащи азбест. Азбестът се счита за канцерогенно вещество.

▪ Докато работите винаги дръжте машината здраво с двете си ръце и поддържайте стабилно положение на тялото. Електроинструментът се направлява безопасно, когато го държите с две ръце.

▪ Изключвайте щепсела от контакта, преди да извършвате каквито и да било настройки, ремонт или поддръжка и при отпадане на захранващото напрежение.

▪ Дръжте захранващия кабел извън работния обсег на ударния чука.

▪ Не се допуска работа с повреден захранващия кабел и щепсел. Ако захранващия кабел е повреден, замената трябва да се извърши от производителя или от негов сервизен специалист, за да се избегнат опасностите от замената.

▪ Преди започване на работа проверявайте с подходящ металотърсач за наличието на скрита електроинсталация, газопровод или водопровод или потърсете съдействие от съответните местни служби. Допирът до скрита електроинсталация може да предизвика поражение от електрически ток. Повредата на газопровод може да предизвика експлозия. Пробиването на водопровод ще предизвика повреда на собственост или поражение от електрически ток.

▪ Електроинструментът е предназначен за работа в помещения и зони с нормална пожарна опасност съгласно "НАРЕДБА № 13-1971 за строително-технически правила и норми за осигуряване на безопасност при пожар". Не се допуска използването му във взривоопасна и пожароопасна среда, при температура на околния въздух над 40°C, в особено влажна среда, при наличие на валяжи и в химически активна среда. Работното място трябва да е добре осветено.

## Запознаване с електроинструмента

Преди да започнете да работите с електроинструмента се запознайте с всички оперативни особености и условия за безопасност. Използвайте електроинструмента и принадлежностите му само по предназначение. Всяко друго приложение е изрично забранено.

1. Защитен пръстен
2. Заклучваща муфта
3. Превключвател
4. Изключващ бутон
5. Спусък на прекъсвача
6. Регулатор на честотата на въртене
7. Индикатор за износване на четките и претоварване
8. Индикатор за режимите
9. Вентилационни отвори
10. Вентилационни отвори
11. Затягаща гайка
12. Допълнителна ръкохватка

## Указания за работа

Този електроинструмент се захранва само с еднофазно променливо напрежение. Той е с двойна изолация съгласно EN 60745-1 и IEC 60745 и може да се присъединява към контакти без защитни клеми. Радиосмущенията съответстват на Директивата за електромагнитна съвместимост.

Този електроинструмент е предназначен за къртене в зидария, бетон и скали с голяма производителност.



Електроинструментът е снабден с механизъм за снижаване на вибрациите, който намалява вибрациите с над 50%.

### ПРЕДИ ДА ЗАПОЧНЕТЕ РАБОТА

- Проверете дали напрежението на електрическата мрежа отговаря на това, означено върху табелката с технически данни на електроинструмента.
- Проверете в какво положение се намира прекъсвачът. Електроинструментът трябва да се присъединява и отделя от захранващата мрежа само при изключен прекъсвач. Ако поставите щепсела в контакт докато прекъсвачът е във включено положение, електроинструментът веднага ще се задейства, което е предпоставка за злополука.
- Убедете се в изправността на захранващия кабел и щепсел. Ако захранващият кабел е повреден, замяната трябва да се извърши от производителя или от негов сервизен специалист, за да се избегнат опасностите от замяната.



**ПРЕДУПРЕЖДЕНИЕ:** Винаги изключвайте електроинструмента и изваждайте щепсела от контакта преди извършване на всякаква настройка, обслужване или поддръжка.

- Ако зоната на работа е отдалечена от източника на захранване, използвайте колкото е възможно по-къс удължител с подходящо сечение.
- Проверете дали допълнителната ръкохватка е правилно поставена и надеждно затегната.

## ПОСТАВЯНЕ НА SDS-MAX ИНСТРУМЕНТ

Почистете и смажете опашката на инструмента преди поставянето му в гнездото!

По време на поставяне на инструмента заключващата муфа 2 да се задържа в горно (предно) положение.

Свободно поставете инструмента във вретеното.

Завъртете инструмента във вретеното до съвпадане на шлиците.

След съвпадане на шлиците, инструментът се вкарва надолу до упор (до отчетливо прецраване на фиксиращия механизъм). Проверете дали инструментът е добре закрепен като го издърпате силно навън.

## СЧЕМАНЕ НА SDS-MAX ИНСТРУМЕНТ

Заключващата муфа 2 се изтегля назад до край и инструментът се изважда.

## СМЯНА НА ПОЗИЦИЯТА НА ДЛЕТОТО

- поставя се инструмента в гнездото както е описано в точка "Поставяне на SDS-max инструмент".

- превключвателят 3 се завърта в положение "Смяна на позицията на длетото".

- инструментът се завърта с ръка до желаното положение.

- превключвателят 3 се завърта в положение "чук", след което инструментът се завърта леко с ръка наляво-надясно докато се заключи.

По-голяма дълготрайност на електроинструмента и висока производителност могат да се постигнат само с добре заточени инструменти за къртене и дълбаене.

## ПУСКАНЕ - СПИРАНЕ

- Пускане: Спусък 5 се натиска в указаната посока.
- Спиране: Изключващият бутон 4 се натиска в указаната посока.



**ПРЕДУПРЕЖДЕНИЕ:** При ниски температури  $\leq 0^{\circ}\text{C}$  ( $32^{\circ}\text{F}$ ) или ако електроинструментът не е работил дълго време (бил е съхраняван в склад/магазин/дом), е възможно при пускането да няма ударно действие, тъй като смазката се е сгъстила. В този случай включете и оставете електроинструмента да поработи около 1,5 минути на празен ход, за да загрее. Така се подобрява смазването и удължава живота на електроинструмента.

## ИЗБОР НА ЧЕСТОТА И ЕНЕРГИЯ НА УДАРИТЕ

Чрез завъртането на регулатор 6 се избира подходяща честота и енергия на ударите в зависимост от обработвания материал. Константната електроника поддържа честотата и енергията на ударите постоянни, независимо от натоварването, което осигурява еднакъв режим при работа. Препоръчително е да се използват посочените в таблицата режими на работа.

Област на приложение	Положение на регулатора	Честота на ударите
Мазилка / леки строителни материали	<b>A-B</b>	1900-2085 min <sup>-1</sup>
Тухли / къртене на плочки	<b>C-D</b>	2265-2450 min <sup>-1</sup>
Къртене на бетон	<b>E-G</b>	2630-3000 min <sup>-1</sup>

Завъртането на регулатор 6 от положение А до F предизвиква нарастване на честотата и енергията на ударите. Индикаторът 8 свети с мигаща зелена светлина.

При регулатор 6 завъртан в положение G индикаторът 8 свети с постоянна зелена светлина. Режимът се характеризира с увеличена енергия на удара до 9 J.

## ДОПЪЛНИТЕЛНА РЪКОХВАТКА

Използвайте винаги допълнителната ръкохватка.

За да промените позицията на ръкохватката разхлабете затягащата гайка 11.

Завъртете ръкохватката в най-удобната за работа позиция, след което добре я затегнете.

Не носете машината за допълнителната ръкохватка, когато тя е разхлабена.

## ПРЕПОРЪКИ ПРИ РАБОТА

Прилагайте умерен натиск при къртене (приблизително 100 - 150N). Големият натиск не повишава производителността и води до намаляване живота на машината.

Да се следи степента на затъпяване на длетото и да се сменя, когато се забележи значително намаляване на производителността.

## Поддръжка



**ПРЕДУПРЕЖДЕНИЕ:** Винаги изключвайте електроинструмента и изважвайте щепсела от контакта преди всякаква проверка или поддръжка.

## ОБЩА ПРОВЕРКА

Проверявайте редовно всички крепежни елементи и се уверете, че те са здраво притегнати. В случай, че някой от винтовете се е разхлабил, го затегнете незабавно, за да избегнете рискови ситуации.

Ако охранващият кабел е повреден, замяната трябва да се извърши от производителя или негов сервизен специалист, за да се избегнат опасностите от замяната.

## ПОЧИСТВАНЕ

За безопасна работа поддържайте винаги чисти машината и вентилационните отвори. Редовно проверявайте дали във вентилационната решетка близо до електродвигателя или около превключвателите не е проникнал прах или чужди тела. Използвайте мека четка за да отстраните събрания се прах. За да предпазите очите си, по време на почистването носете защитни очила.

Ако корпусът на машината се нуждае от почистване, извършете го с мека влажна кърпа. Може да се използва слаб препарат за миене.



**ПРЕДУПРЕЖДЕНИЕ:** Не се допуска употребата на спирт, бензин или други разтворители. Никога не използвайте разяждащи препарати за почистване на пластмасовите части.



**ПРЕДУПРЕЖДЕНИЕ:** Не се допуска влизането на вода в контакт с машината.

**ВАЖНО!** За да се осигури безопасната работа с електроинструмента и неговата надеждност, всички дейности по ремонта, поддръжката и регулирането (включително проверката и подмяната на четките) трябва да се извършват в оторизираните сервиси на SPARKY с използване само на оригинални резервни части.

## **ВГРАДЕНА ПРОТИВОПРАХОВА ЗАЩИТА**

Защитният пръстен 1 предпазва гнездото за инструмента от замърсяване по време на работа. При поставяне на инструмента, внимавайте да не повредите защитния пръстен.



**ПРЕДУПРЕЖДЕНИЕ:** Незабавно заменяйте защитния пръстен ако се повреди!

За да замените защитния пръстен 1 издърпайте назад заключващата муфа 2. Захванете защитния пръстен и го издърпайте силно косо напред. Поставете на вретеното леко наклонен новия защитен пръстен и го притиснете силно.

## **ИНДИКАЦИЯ “СЕРВИЗНО ОБСЛУЖВАНЕ”**

Когато червеният светодиод започне да мига, а машината продължава да работи нормално, необходима е подмяна на четките. След приблизително 8 часа работа четките се износват напълно и се задейства изключателя. Машината спира, а индикаторът продължава да мига с червена светлина. Занесете машината в оторизиран сервис за смяна на четките и профилактика.

Ако машината не работи без да е минал предупредителния период от 8 часа, а червеният светодиод мига, това означава, че електродвигателят вероятно е повреден. Ако няма никаква светлинна индикация и машината не работи, това означава, че липсва захранване до машината или прекъсвачът или захранващият шнур са повредени.

## **ПРОФИЛАКТИЧЕН ПРЕГЛЕД**

Периодично електроинструмента да се представя в оторизиран сервис на SPARKY за извършване на профилактичен преглед. Профилактичните прегледи ще удължат живота на вашия електроинструмент.

*Първи преглед* - след приблизително 70 часа работа.

Извършва се оценка на функционирането на машината и при необходимост се прави преглед на електроинструмента

*Втори преглед* - след приблизително 140 часа работа или след износване на четките.

Извършва се основно почистване на електроинструмента, преглед и отстраняване на възникнали или потенциални дефекти (заменят се четки и уплътнителни пръстени).

*Трети преглед* - след приблизително 250 часа работа или след износване на четките. Извършва се основно почистване на електроинструмента, преглед и отстраняване на възникнали или потенциални дефекти (заменят се четки и уплътнителни пръстени).

*Четвърти преглед* - след приблизително 350 часа работа или след износване на четките.

Извършва се основно почистване на електроинструмента, преглед и отстраняване на възникнали или потенциални дефекти (заменят се четки и уплътнителни пръстени).

## Гаранция

---

Гаранционният срок на електроинструментите SPARKY се определя в гаранционна карта.

Неизправности, появили се в следствие на естествено износване, претоварване или неправилна експлоатация, се изключват от гаранционните задължения.

Неизправности, появили се в следствие на влагане на некачествени материали и/или производствени грешки, се отстраняват без допълнително заплащане чрез замяна или ремонт.

Рекламация на дефектирал електроинструмент SPARKY се признава, когато машината се върне на доставчика или се представи на оторизиран гаранционен сервиз в неразглобено (първоначално) състояние.

## Забележки

---

Внимателно прочетете цялата инструкция за експлоатация преди да използвате това изделие.

Производителят си запазва правото да въвежда подобрения и промени в своите изделия и да променя спецификациите без предупреждение.

Спецификациите могат да се различават за отделните страни.