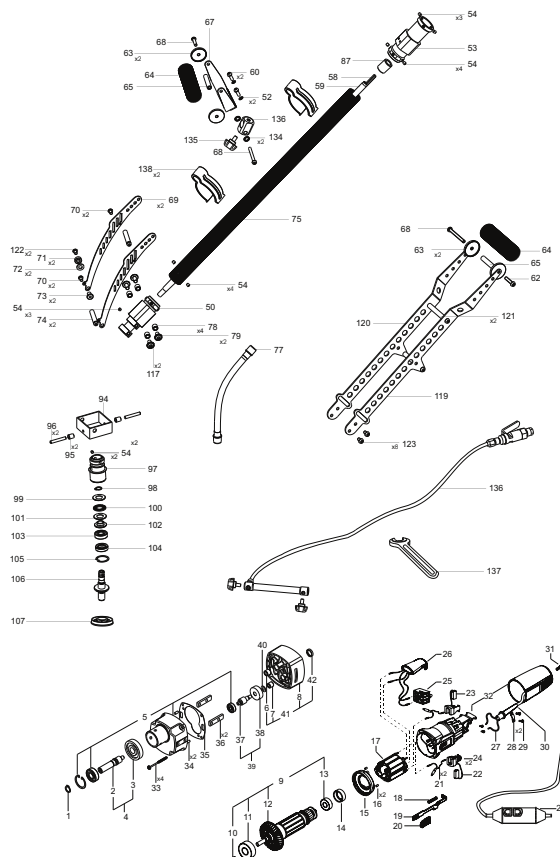


HD PROFESSIONAL CMW 715CE HD - 141746

Pos. No.	Ref. No.	Description	Pos. No.	Ref. No.	Description
1	330483	Circlip B12	59	179627	INNER PROTECTIVE PIPE SET
2	154845	Spindle	60	361344	Screw M 4x10 ISO 7380 Steel
3	154846	Spindle gear	62	361288	Screw M 6x30 ISO7380
4	154856	Spindle set	63	179613	Stoppie
5	154854	Gear box set	64	179611	Pipe
6	933756	Bearing HK0709	65	179614	Bush
7	330119	Bearing HK0609	67	179019	Plate
8	141753	Bearing shield HD	68	361269	Screw M 6x60 ISO7380
9	154862	Armature set	69	156569	Support
10	130784	Bush	70	361271	Screw M 6x16 ISO7380
11	330269	Bearing 629-2Z P63 LDS 18	71	179609	Spacer washer
12	152579	Fan	72	272834	Spacer washer
13	330582	Bearing 6262ZP6E LDS18 SKF	73	361267	Special nut M6
14	129087	Elastic sleeve	74	155247	Bush
15	152756	Diffuser	75	155987	Pipe L645
16	272960	Claming pin	77	179630	OUTER PROTECTIVE PIPE SET
17	120831	Stator set	78	155246	Space bush
18	131214	Pressure spring 0,5x4x25	79	361320	Screw M 8x20 FABORY 07141080025 M Zn A3A
19	152758	Guiding switch lever	87	158462	Bush
20	170117	Slide	94	179607	Console
21	124083	Choke	95	179625	Space bush
22	129092	Brush	96	361321	Screw M 6x45 DIN 427 Steel
23	129093	Brush with a switch	97	158452	Enclosure
24	129082	Brush holder set	98	330483	Circlip B12
25	102100	Switch PS8	99	331319	Washer AS1528
26	179299	Electronic block	100	331318	Bearing AXK 1528
27	141725	Cord with plug and PRCD device EU	101	331319	Washer AS1528
28	256500	Cord clamp	102	179641	Space bush
29	361360	Screw K 4X9,5 TORX 20	103	330312	Bearing 6001-2RSC3
30	152759	Cord protector	104	330608	Gasket AS15x28x7 NBR
31	361328	Screw K4x18 TORX 20	105	330588	Circlip A28
32	152770	Body with cover	106	158461	Spindle
33	361404	Screw K4X50 TORX 20	107	176175	Protective washer
34	115865	Pin	117	361319	Screw M 8x20 FABORY 07141080020 M Zn A3A
35	154851	Gasket	119	155985	Holder
36	154852	Plate	120	155983	Holder
37	154847	Gear shaft	121	179667	Bush
38	154848	Large intermediate gear	122	361323	Screw M 6x8 ISO7380
39	154849	Gear shaft complement	123	361272	Screw M 6x10 ISO7380
40	154850	Washer	134	361327	Washer M6-DIN 6978A
41	154855	Bearing shield set	135	155850	Screw M 6x10
42	330641	Gasket 12x16x3	136	158849	Water feed system
50	158455	Console	137	113135	Spanner 17
52	361277	Washer 1-M4	138	155289	Belt clip
53	158456	Adaptor	201	141784	Operating instruction
54	361273	Screw M6X6 DIN 913	202	141841	Packaging
58	179631	Shaft			



CMW 715CE HD