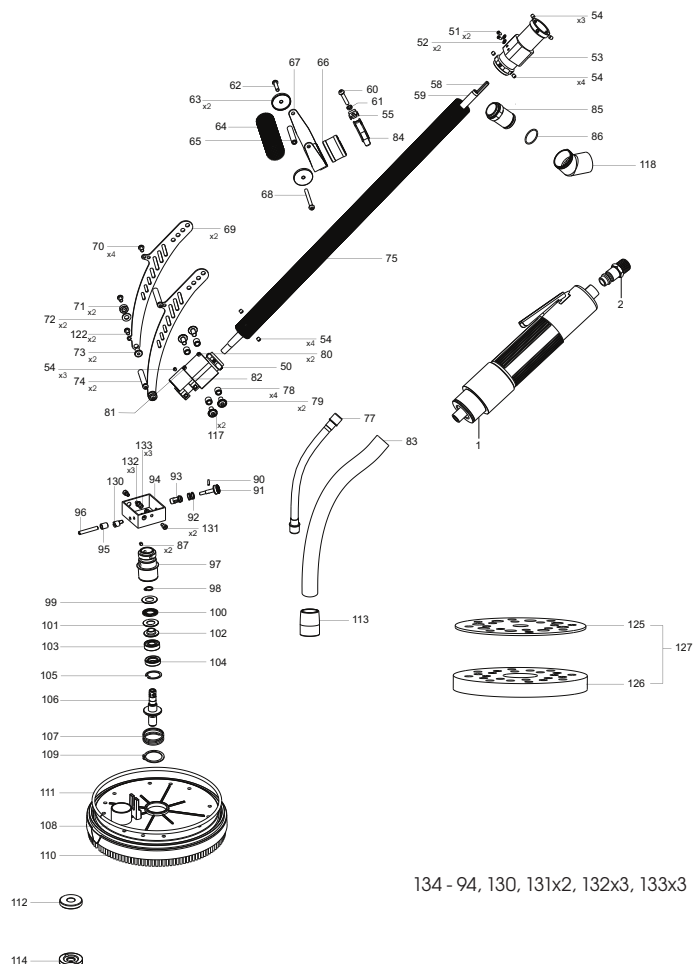


Pos. No.	Ref. No.	Description	Pos. No.	Ref. No.	Description
1	157841	Pneumatic actuator OBER	91	179644	Lock button
2	158353	Adaptor	92	115165	Spring
50	155254	Console	93	179642	Bearing Bushing
51	361280	Screw M 4x6	94	155287	Console
52	361277	Washer 1-M4	95	179625	Space bush
53	179620	Adaptor	96	361265	Screw M6X42 DIN 927
54	361273	Screw M6X6 DIN 913	97	179652	Enclosure
55	151272	Strip	98	330483	Circlip B12
58	155219	Shaft L650	99	331319	Washer AS1528
59	155222	INNER PROTECTIVE PIPE SET L 260	100	331318	Bearing AXK 1528
60	361288	Screw M 6x30 ISO7380	101	331319	Washer AS1528
61	179649	Washer	102	179641	Space bush
62	361288	Screw M 6x30 ISO7380	103	330820	Bearing 2RSR
63	179613	Stoppie	104	330608	Gasket AS15x28x7 NBR
64	179611	Pipe	105	330588	Circlip A28
65	179614	Bush	106	155258	Spindle
66	179645	Bush	107	179628	Spring
67	179647	Handle set	108	155285	Protective cover Ø220
68	361269	Screw M 6x60 ISO7380	109	330486	Circlip B35
69	156569	Support	110	155294	Brush
70	361271	Screw M 6x16 ISO7380	111	155295	Gasket
71	179609	Spacer washer	112	155296	Collar
72	179610	Washer	113	156570	Bush
73	361267	Special nut M6	114	121838	Locking nut
74	179614	Bush	117	361319	Screw M 8x20 FABORY 07141080020 M Zn A3A
75	156551	Pipe L185	118	184121	Dust Extraction Adaptor
77	179630	OUTER PROTECTIVE PIPE SET	122	361323	Screw M 6x8 ISO7380
78	155246	Space bush	125	155989	Disk
79	361320	Screw M 8x20 FABORY 07141080025 M Zn A3A	126	179741	Disk
80	361291	Screw C1-M4x30	127	155991	Disks set 200mm
81	361294	Screw C1-M4x35	130	141966	Depth gauge
82	155255	Adaptor	131	361350	Screw C1-M5x8
83	155293	Hose L400	132	360078	Spring washer 5H
84	179674	Lever set	133	361353	Nut M5 ISO 10511 Zn
85	179658	Adaptor	134	159541	Service pack
86	330330	O-ring 31X2B	201	157858	Operating instruction
90	361136	Pin Ø3x8 DIN7343	202	156561	Packaging



SM 10