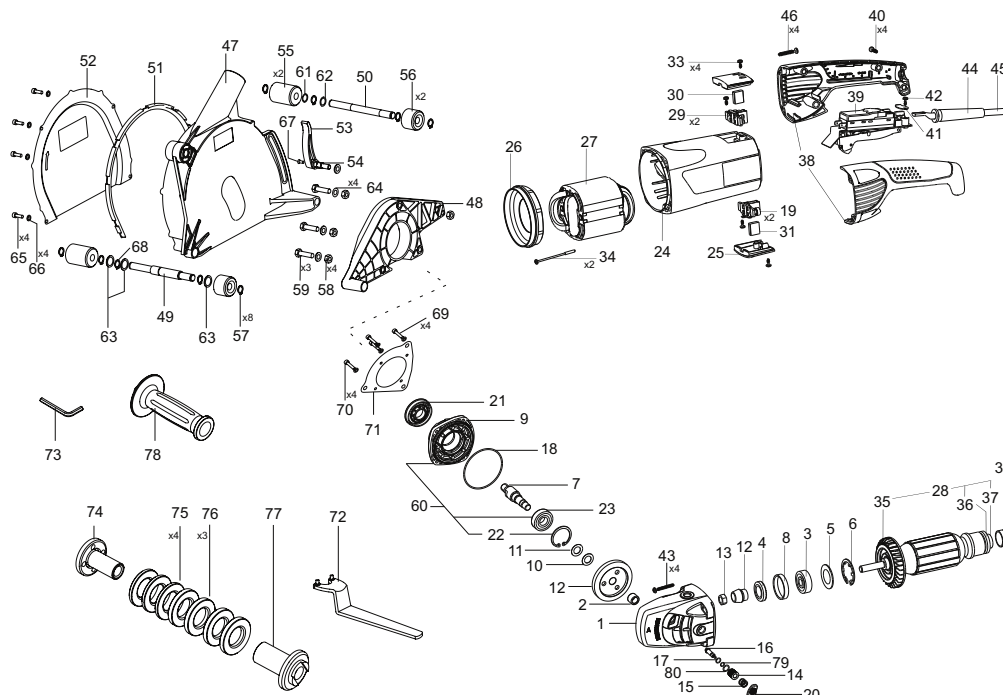


**PROFESSIONAL, HD PROFESSIONAL**  
**FK 6522 - 154822; FK 6524 - 154824; FK 6526 - 154826;**  
**FK 6522 HD - 158794; FK 6524 HD - 158795; FK 6526 HD - 158796**

| POS. No.  | Ref.No. | Description                           | POS. No.    | Ref.No. | Description                         |
|-----------|---------|---------------------------------------|-------------|---------|-------------------------------------|
| (1)(2)(3) | 1       | 178878 Gear box                       | 40          | 361328  | Screw K4x18 TORX 20                 |
| (4)(5)(6) | 1       | 158701 Gear box HD                    | 41          | 151671  | Cord clamp                          |
|           | 2       | 330125 Bearing HK 1212                | 42          | 361360  | Screw K 4X9,5 TORX 20               |
|           | 3       | 330944 Bearing 6300 2RSL P63 LDS18SpA | 43          | 361371  | Screw K5X40(D10) TORX 20            |
|           | 4       | 153341 Gasket                         | 44          | 120724  | Cord protector                      |
|           | 5       | 173936 Inner Flange                   | (1)(2)(3)45 | 152574  | Cord with a plug                    |
|           | 6       | 173934 Circlip                        | (4)(5)(6)45 | 158695  | Cord with a plug euro plug RAL 3020 |
|           | 7       | 154758 Spindle                        | 46          | 361369  | Screw A-K 5x25 TORX 20              |
|           | 8       | 173935 Rubber bush                    | 47          | 172764  | Guard                               |
| (1)(2)(3) | 9       | 154761 Bearing bed                    | 48          | 172766  | Console                             |
| (4)(5)(6) | 9       | 158720 Bearing bed HD                 | 49          | 172770  | Axle                                |
|           | 10      | 117504 Spacer washer                  | 50          | 172771  | Axle                                |
|           | 11      | 117505 Spacer washer                  | 51          | 172769  | Gasket                              |
|           | 12      | 152666 Gear set                       | 52          | 172768  | Cover                               |
|           | 13      | 113256 Nut                            | 53          | 125006  | Lever                               |
|           | 14      | 174007 Bush                           | 54          | 172772  | Special Screw                       |
|           | 15      | 174021 Spring                         | 55          | 154323  | Roller L 50                         |
|           | 16      | 174008 Pin                            | 56          | 154324  | Roller L 28                         |
|           | 17      | 330344 O-ring 6X1,5B NBR70            | 57          | 330483  | Circlip B12                         |
|           | 18      | 330352 O-ring 80X2B                   | 58          | 360173  | Nut M8                              |
|           | 19      | 113244 Spiral spring                  | 59          | 361009  | Bolt D1-M8x30                       |
| (1)(2)(3) | 20      | 174006 Button                         | (1)(2)(3)60 | 154764  | Bearing bed set                     |
| (4)(5)(6) | 20      | 175915 Button                         | (4)(5)(6)60 | 158730  | Bearing bed set HD                  |
|           | 21      | 174020 Protective washer              | 61          | 140005  | Washer                              |
|           | 22      | 330473 Circlip A40-1D                 | 62          | 115431  | Spacer washer                       |
|           | 23      | 330124 Bearing 6203-2RS               | 63          | 152085  | Spacer washer                       |
| (1)(4)    | 24      | 177333 Body                           | 64          | 360054  | Washer M8                           |
| (2)(3)    | 24      | 174000 Body                           | 65          | 360246  | Screw M5x16                         |
| (5)(6)    | 24      | 174000 Body                           | 66          | 360385  | Washer M5                           |
|           | 25      | 174005 Brush holder cover             | 67          | 360672  | Screw M4x10                         |
|           | 26      | 174004 Diffuser                       | 68          | 330484  | Circlip B15                         |
| (1)(4)    | 27      | 177406 Stator set                     | 69          | 360385  | Washer M5                           |
| (2)(5)    | 27      | 176330 Stator set                     | 70          | 361012  | Screw C1-M5x25                      |
| (3)(6)    | 27      | 176452 Stator set                     | 71          | 154765  | Plate                               |
| (1)(4)    | 28      | 177405 Armature set                   | 72          | 150015  | Special spanner 200                 |
| (2)(5)    | 28      | 175423 Armature set                   | 73          | 606738  | Spanner 4                           |
| (3)(6)    | 28      | 175040 Armature set                   | 74          | 127220  | Collar                              |
|           | 29      | 190020 Brush holder set               | 75          | 127217  | Spacer washer                       |
|           | 30      | 153014 Brush                          | 76          | 127218  | Spacer washer                       |
|           | 31      | 153015 Brush with a switch            | 77          | 127219  | Locking nut                         |
|           | 32      | 164934 Rubber bush                    | (1)(2)(3)78 | 121265  | Handle                              |
|           | 33      | 361360 Screw K 4X9,5 TORX 20          | (4)(5)(6)78 | 173725  | Handle AVR M14/L12                  |
| (1)(4)    | 34      | 361428 Screw 3,9X60                   | 79*         | 330704  | O-ring 5x1,5 NBR 70                 |
| (2)(3)    | 34      | 361433 Screw 3,9X80                   | 80*         | 330331  | O-ring 2-10x1,5-2                   |
| (5)(6)    | 34      | 361433 Screw 3,9X80                   | 201         | 141233  | Operating instruction               |
|           | 35      | 154350 Fan                            | 202         | 141219  | Packaging                           |
|           | 36      | 151648 Protective washer              | 204         | 141745  | Grease 8 - 1,00 kg.                 |
|           | 37      | 331149 Bearing 608-2RS-P63 LDS18SpA   |             |         |                                     |
|           | 38      | 174002 Handle                         |             |         |                                     |
| (1)(4)    | 39      | 154815 Switch PS16 E03                |             |         |                                     |
| (2)(5)    | 39      | 154816 Switch PS16 E03                |             |         |                                     |
| (3)(6)    | 39      | 154817 Switch PS16 E03                |             |         |                                     |

Note: \* - from 01.02.2010  
(1) - only for FK 6522; (2) - only for FK 6524; (3) - only for FK 6526  
(4) - only for FK 6522 HD; (5) - only for FK 6524 HD;  
(6) - only for FK 6526 HD



**FK 6522**  
**FK 6524**  
**FK 6526**  
**FK 6522 HD**  
**FK 6524 HD**  
**FK 6526 HD**