

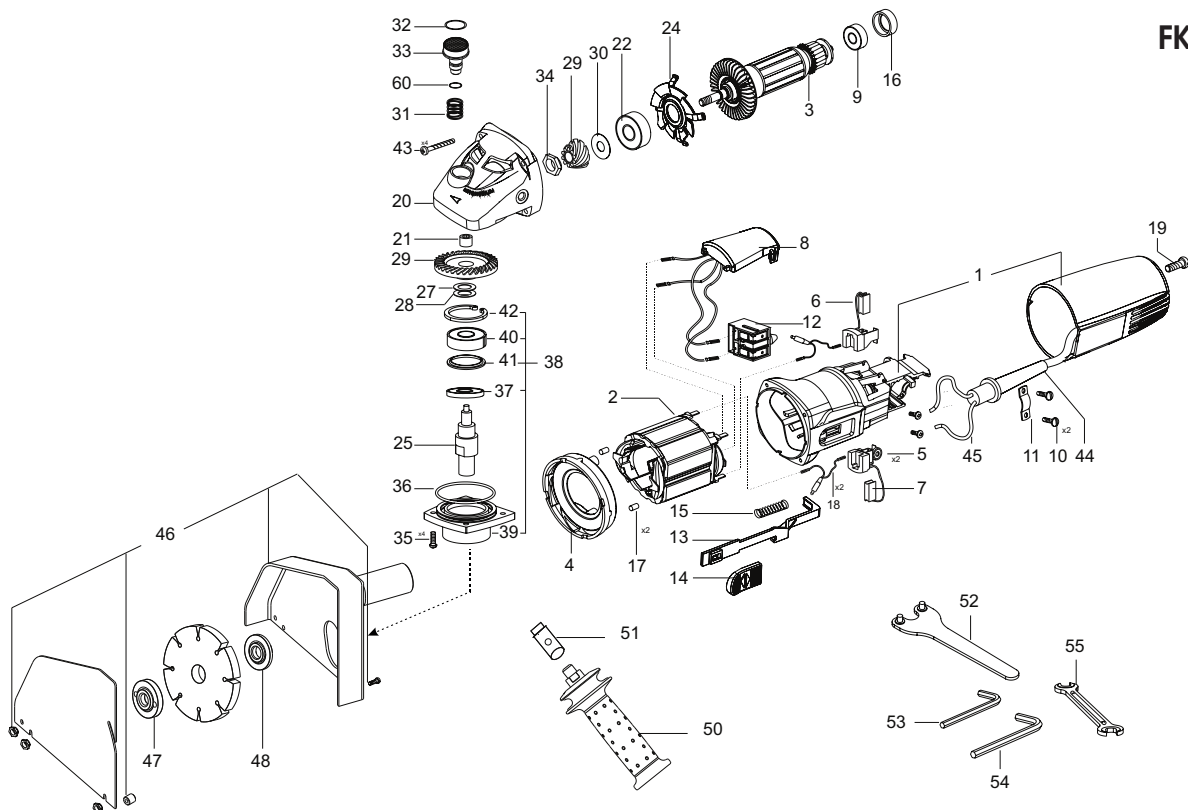
**PROFESSIONAL, HD PROFESSIONAL
FK 180 - 157873; FK 180 HD - 158791**

POS. No.	Ref.No.	Description
1	153423	Body with cover
2	153478	Stator set
3	153870	Armature set
4	152756	Diffuser
5	129082	Brush holder set
6	153056	Brush
7	153057	Brush with a switch
8	153917	Electronic block
9	330582	Bearing 6262ZP6E LDS18 SKF
10	361360	Screw K 4X9.5 TORX 20
11	256500	Cord clamp
12	102100	Switch PS8
13	152758	Guiding switch lever
14	170117	Slide
15	131214	Pressure spring 0,5xE4x25
16	129087	Elastic sleeve
17	272960	Claming pin
18	151196	Choke
19	361328	Screw K4x18 TORX 20
20	178874	Gear box
21	933756	Bearing HK0709
22	330942	Bearing 609 2RSL P63 LDS18SpA
24	152755	Bearing cover
25	152772	Spindle
27	117798	Spacer washer
28	117799	Spacer washer
29	153428	Gear set
30	153421	Spacer washer
31	115165	Spring
32	330335	O-ring 16X2B
(1)	33	121259 Lock button
(2)	33	117795 Lock button

POS. No.	Ref.No.	Description
34	117800	Nut M8x1
35	361131	Screw H2-M4x12
36	330336	O-ring 50X2B
37	153586	Felt 30x19.2x6
(1)	38	154218 Bearing bed set
(2)	38	158729 Bearing bed set HD
(1)	39	153504 Bearing bed
(2)	39	158719 Bearing bed HD
40	330718	Bearing 6300-2RS
41	113091	Spacer washer
42	330732	Circlip A35-1D
43	361366	Screw K 4X25 TORX 20
44	152759	Cord protector
(1)	45	116549 Cord with a plug
(2)	45	158698 Cord with a plug euro plug RAL 3020
46	179254	Cutting attachment
47	121838	Locking nut
48	121837	Back up disc washer
50	173726	Handle AVR M8/L10
51	179409	Handle extension
52	154268	Spanner 173 set
53	179257	Spanner D911-3A ZN6
54	606738	Spanner 4
55	370093	Spanner 10x11
60	330704	O-ring 5x1,5 NBR 70
100	146774	Labyrinth Washer
201	141624	Operating instruction
202	141657	Tool case
204	179864	Grease Liver T-0 - 1,00 kg.

Note:

(1) - only for FK 180; (2) - only for FK 180 HD



**FK 180
FK 180 HD**