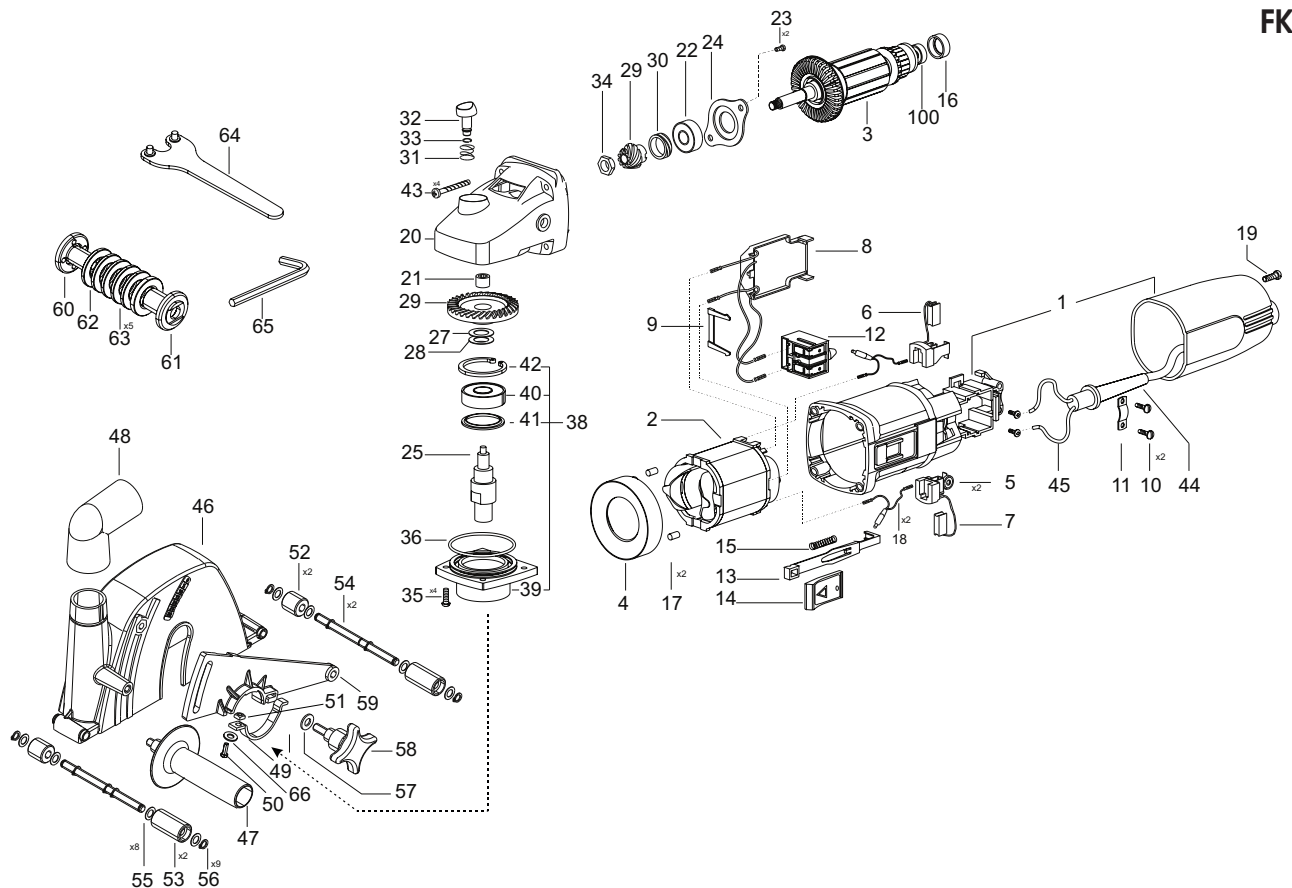


POS. No.	Ref.No.	Description
1	162493	Body with cover
2	152663	Stator set
3	152662	Armature set
4	129079	Diffuser
5	129082	Brush holder set
6	153056	Brush
7	153057	Brush with a switch
8	153449	Electronic block
9	129090	Bracket
10	361360	Screw K 4X9.5 TORX 20
11	256500	Cord clamp
12	129086	Switch
13	129089	Guiding switch lever
14	129088	Slide
15	129094	Spring
16	129087	Elastic sleeve
17	272960	Claming pin
18	151196	Choke
19	361328	Screw K4x18 TORX 20
20	152309	Gear box set
21	933756	Bearing HK0709
22	330289	Bearing 6092ZP63LDS18
23	361390	Screw J2-M4x12
24	152230	Bearing cover
25	117788	Spindle
26	117797	Spacer washer
27	117798	Spacer washer
28	117799	Spacer washer
29	126532	Gear set
30	128846	Bush
31	115165	Spring
32	129109	Lock button
33	330342	O-ring 6X2B
34	117800	Nut M8x1

POS. No.	Ref.No.	Description
35	361390	Screw J2-M4x12
36	330336	O-ring 50X2B
38	153505	Bearing bed
39	153504	Bearing bed
40	330624	Bearing 6202-2RSR FA 117 INA
41	113091	Spacer washer
42	330732	Circlip A35-1D
43	361366	Screw K 4X25 TORX 20
44	206687	Cord protector
45	116549	Cord with a plug
46	152647	Disk guard
47	114134	Handle
48	152651	Pipe
49	152654	Bracket
50	360855	Screw M5x20
51	360789	Nut DIN557-M5
52	152656	Roller L 20
53	152657	Roller L 40
54	152655	Axle
55	886465	Washer 8.2x14x0.5
56	330692	Circlip B8
57	153503	Padding washer
58	152653	Screw
59	152650	Console
60	153088	Locking nut
61	153089	Collar
62	127217	Spacer washer
63	127218	Spacer washer
64	154268	Spanner 173 set
65	606738	Spanner 4
66	360078	Spring washer 5H
100	330582	Bearing 6262ZP6E LDS18 SKF
204	179864	Grease Liver T-0 - 1,00 kg.



FK 30