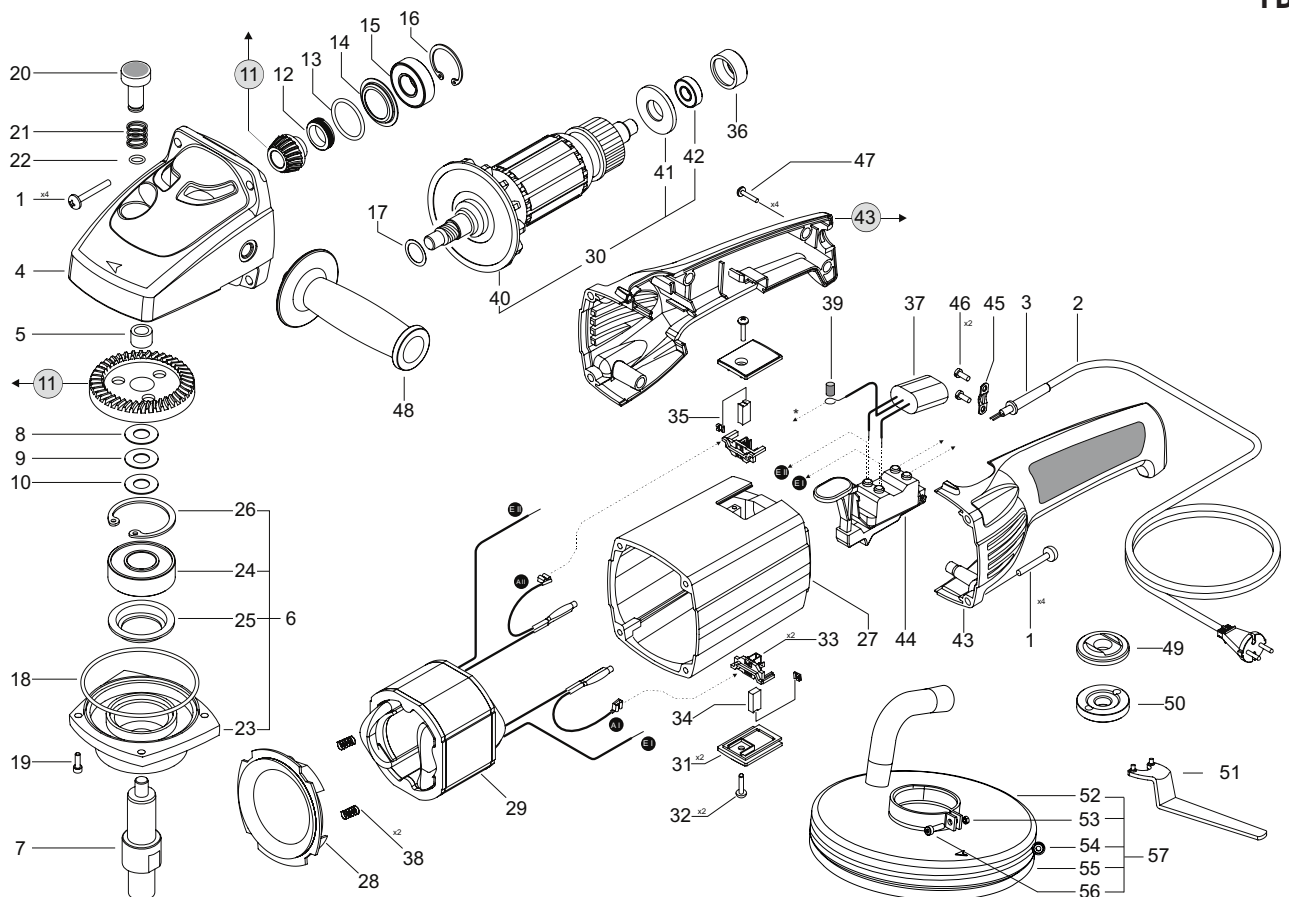


POS. No.	Ref.No.	Description	POS. No.	Ref.No.	Description
1	361369	Screw A-K 5x25 TORX 20	31	121263	Brush holder cover
2	117246	Cord with a plug	32	361360	Screw K 4X9.5 TORX 20
3	206687	Cord protector	33	112242	Brush holder set
4	152044	Gear box	34	120964	Brush with a switch
5	933756	Bearing HK0709	35	120965	Brush
6	152169	Bearing bed	36	164934	Rubber bush
7	112218	Spindle	37	127544	Capacitor
8	112913	Spacer washer	38	112278	Spring
9	112914	Spacer washer	39	244946	Claming pin
10	112915	Spacer washer	40	100429	Fan
11	114226	Gear set	41	115147	Protective washer
12	115162	Bush	42	330287	Bearing 627-2ZP6LDS18
13	330334	O-ring 22X2B	43	151992	Casing handle set
14	115721	Washer	44	170663	Switch KD10-RED
15	330291	Bearing 60002ZP63LDS18	45	256500	Cord clamp
15*	330945	Bearing 6000 2RSL P63 LDS18SpA	46	361360	Screw K 4X9.5 TORX 20
16	330471	Circlip A26-1	47	361328	Screw K4x18 TORX 20
17	260097	Spacer washer	48	121265	Handle
18	330379	O-ring 66X2B	49	152929	Back up disc washer
19	360409	Screw M 5X12 8.8	50	121838	Locking nut
20	152141	Lock button	51	150015	Special spanner 200
21	115165	Spring	52	152723	Disk guard 6
22	330342	O-ring 6X2B	53	360816	Nut M6 DIN 557
23	152138	Bearing bed	54	153038	Bracket
24	331669	Bearing 6202-2RSL (15x35x11)	55	152727	Gasket 6"
25	113091	Spacer washer	56	360661	Screw A1 M6x30
26	330472	Circlip A35	57	152922	Disk guard 6"
26**	330732	Circlip A35-1D	201	170740	Operating instruction
27	127633	Body	202	171144	Packaging
28	122938	Diffuser	204	179864	Grease Liver T-0 - 1,00 kg.
29	152187	Stator set			
30	152189	Armature set			

Note:
*- from 01.02.2007; **- from 01.02.2008



FB 6