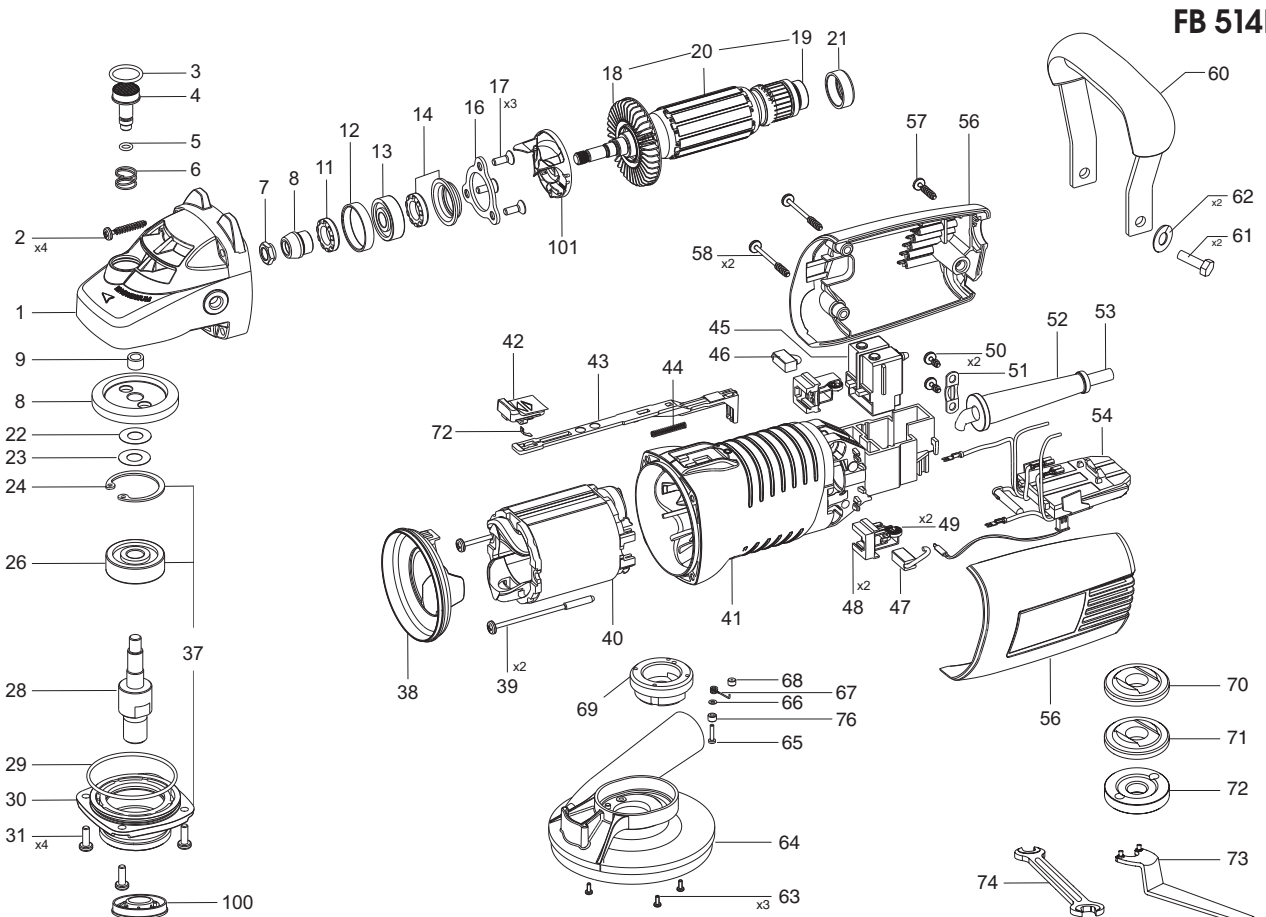


HD PROFESSIONAL FB 514P/HD - 147442

POS. No.	Ref.No.	Description	POS. No.	Ref.No.	Description
1	141922	Gear box HD	45	102100	Switch PS8
2	361366	Screw K 4X25 TORX 20	46	153056	Brush
3	330335	O-ring 16X2B	47	153057	Brush with a switch
4	117795	Lock button	48	142187	Brush holder set
5	330704	O-ring 5x1,5 NBR 70	49	254364	Spiral spring
6	115165	Spring	50	361360	Screw K 4X9.5 TORX 20
7	117800	Nut M8x1	51	256500	Cord clamp
8	158636	Gear set 3,44	52	152759	Cord protector
9	933756	Bearing HK0709	53	158699	Cord with a plug RAL 3020
11	157335	Gasket 13,5	54	159098	Electronic block
12	156478	Rubber bush	56	157296	Couple cover set
13	331437	Bearing 629 2RSL P63 LDS 18SpA	57	361328	Screw K4x18 TORX 20
14	157339	Profile washer set	58*	361367	Screw K 4X37/25 TORX 20
16	157311	Bearing cover	59	116757	Rubber bush
17	361495	Screw G2-M4x12 MK	60	143518	Handle Bugelgriff(755A1590)
18	152579	Fan	61	360396	Bolt D-2 M8X16
19	331509	Bearing 626 2RSL	62	361086	Washer 1-8
20	157320	Armature set	63	361389	Screw J1-M4x10
21	129087	Elastic sleeve	64	147441	Disk guard set
22	117798	Spacer washer	65	361439	Screw J2-M4x 20
23	117799	Spacer washer	66	939405	Washer A 4,3x9x0,5
24	330732	Circlip A35-ID	67	147435	Spring
26	331665	Bearing 6300 - 2RSL	68	147436	Roller
28	147437	Spindle	69	147434	Flange
29	330336	O-ring 50X2B	70	157990	Spring
30	147938	Bearing bed HD	71	121837	Back up disc washer
31	361189	Screw H2-M4X20	72	174267	Inner Flange
37	147937	Bearing bed set HD	73	121838	Locking nut
38	157299	Diffuser L 50-55	74	150015	Special spanner 200
39	361430	Screw 3.9x69	75	146454	Spanner SW 13 DIN 894
40	159064	Stator set HD	76	147705	Space bush
41	157294	Body L50-55	100	146774	Labyrinth Washer
42	157301	Button	101	147001	Diffuser
43	157300	Guiding switch lever L			
44	146782	Pressure spring 0,4x4x25			

Note: *- till 01.02.2016



FB 514P HD