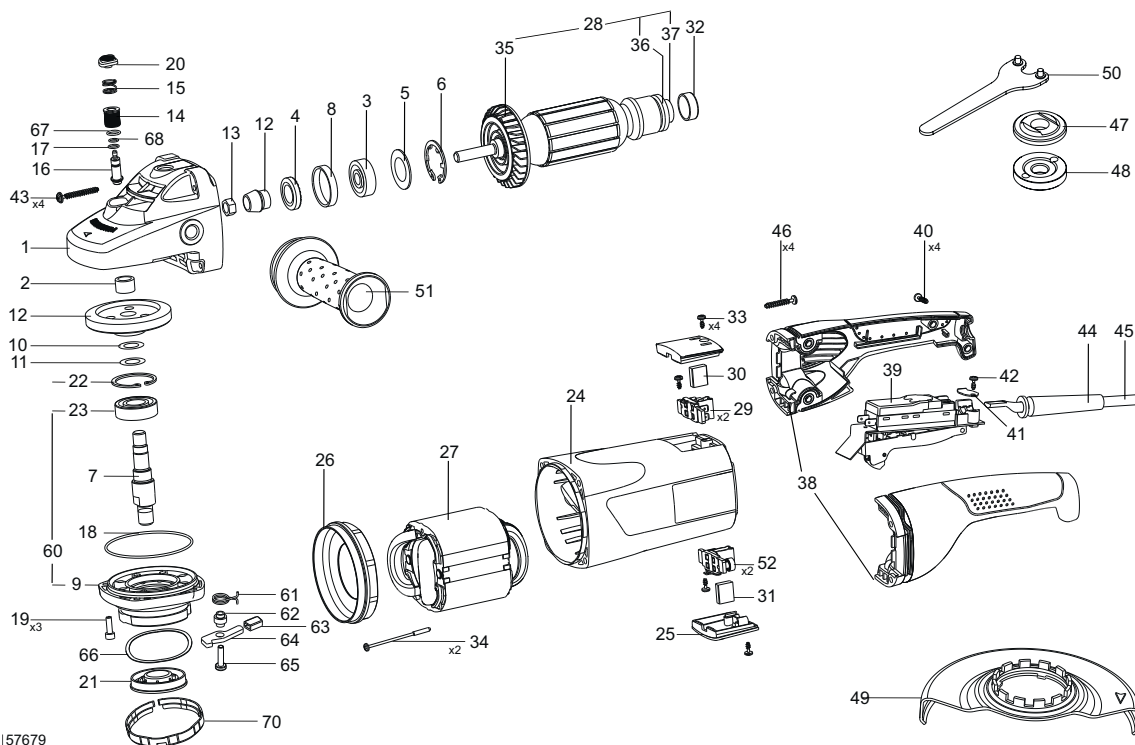


POS. No.	Ref.No.	Description	POS. No.	Ref.No.	Description
(1)(2)	1	178878 Gear box	(1)(3)	38	174002 Handle
(3)(4)	1	158701 Gear box HD	(2)(4)	38	156419 Casing handle set AVS
	2	330125 Bearing HK 1212	39	170669	Switch PS16E02
	3	330944 Bearing 6300 2RSL P63 LDS18SpA	40	361328	Screw K4x18 TORX 20
	4	153341 Gasket	41	151671	Cord clamp
	5	173936 Inner Flange	42	361360	Screw K 4X9,5 TORX 20
	6	173934 Circlip	43	361371	Screw K5X40(D10) TORX 20
	7	174022 Spindle	44	120724	Cord protector
	8	173935 Rubber bush	(1)(2)	45	152574 Cord with a plug
(1)(2)	9*	177360 Bearing bed	(3)(4)	45	158695 Cord with a plug euro plug RAL 3020
(1)(2)	9**	142598 Bearing bed	46	361369	Screw A-K 5x25 TORX 20
(3)(4)	9*	158713 Bearing bed HD	47	121837	Back up disc washer
(3)(4)	9**	142270 Bearing bed HD	48	121838	Locking nut
	10	117504 Spacer washer	(1)(2)	49	178777 Guard Φ230 T20
	11	117505 Spacer washer	(3)(4)	49	158855 Guard Φ230 T20/HD
	12	152666 Gear set	50	154269	Special spanner 240
	13	113256 Nut	51	173725	Handle AVR M14/L12
	14	174007 Bush	52	113244	Spiral spring
	15	174021 Spring	(1)(2)	60*	177368 Bearing bed set
	16	174008 Pin	(1)(2)60**	142602	Bearing bed set
	17	330344 O-ring 6X1.5B NBR70	(3)(4)	60*	158723 Bearing bed set HD
	18	330352 O-ring 80X2B	(3)(4)60**	142273	Bearing bed set HD
	19	360246 Screw M5x16	61	154790	Spring
(1)(2)	20	174006 Button	62	177337	Bush
(3)(4)	20	175915 Button	63	177366	Button
	21	174020 Protective washer	64	177338	Lock lever
	22	330473 Circlip A40-1D	65	361201	Screw M5x30-8,8okc
	23	330124 Bearing 6203-2RS	66	177335	Spring
	24	174000 Body	67	330331	O-ring 2-10x1,5-2
	25	174005 Brush holder cover	68	330704	O-ring 5x1,5 NBR 70
	26	174004 Diffuser	70**	142063	Circlip M
	27	176452 Stator set	(1)	201	179242 Operating instruction
	28	175040 Armature set	(3)	201	141226 Operating instruction
	29	190020 Brush holder set	(2)	201	156447 Operating instruction
	30	153014 Brush	(4)	201	141234 Operating instruction
	31	153015 Brush with a switch	202	174349	Tool case
	32	164934 Rubber bush	204	141745	Grease 8 - 1,00 kg.
	33	361360 Screw K 4X9,5 TORX 20			
	34	361433 Screw 3,9X80			
	35	154350 Fan			
	36	151648 Protective washer			
	37	331149 Bearing 608-2RS-P63 LDS18SpA			

Note:
 (1) - only for MBA 2600P-AVR c 01.02.2010;
 (2) - only for MBA 2600PA-AVR;
 (3) - only for MBA 2600P c 01.02.2010; (4) - only for MBA 2600PA
 *- till 01.11.2013; **- from 01.11.2013

MBA 2600P AVR (from 01.02.10)
MBA 2600PA AVR
MBA 2600P HD
MBA 2600PA HD



157679