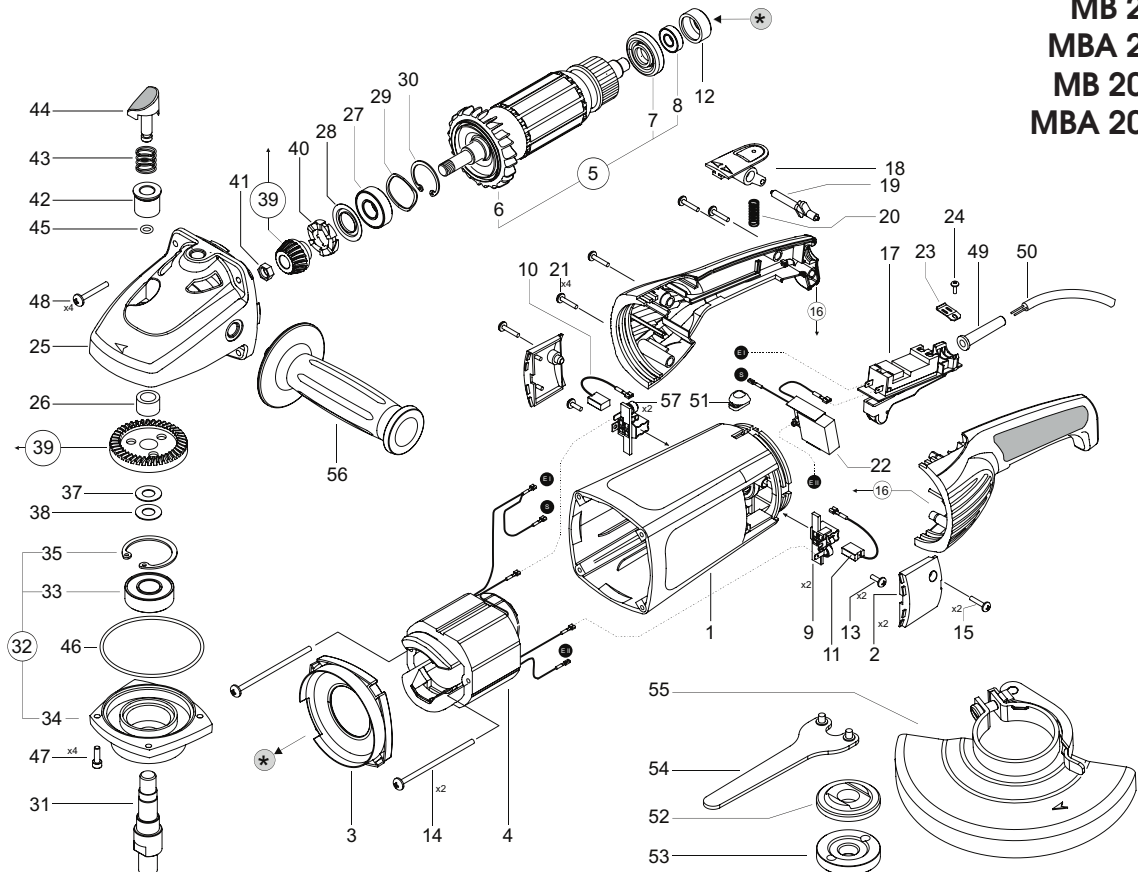


MB 2001V - 170167, MBA 2001V - 170307, MB 2001PV - 170865, MBA 2001PV - 170171

POS. No.	Ref.No.	Description	POS. No.	Ref.No.	Description		
1	151649	Body	35	124720	Circlip A40		
2	151650	Brush holder cover	35****	330473	Circlip A40-1D		
3	151651	Diffuser	36	117503	Spacer washer		
4	152806	Stator set	37	117504	Spacer washer		
5	151679	Armature set	38	117505	Spacer washer		
6	152160	Fan	(1)(3)	39	117506	Gear set	
7	151648	Protective washer	(2)(4)	39	117509	Gear set	
8	330308	Bearing 6082ZP63LDS18	40	113540	Oil - churning bush		
9	151644	Brush holder set	41	113256	Nut		
9****	190020	Brush holder set	42	151615	Bush		
10	151681	Brush	42**	154663	Bush		
10*	153014	Brush	43	117277	Spring		
11	151682	Brush with a switch	44	151613	Lock button		
11*	153015	Brush with a switch	45	330342	O-ring 6X2B		
12	164934	Rubber bush	46	330352	O-ring 80X2B		
13	361360	Screw K 4X9,5 TORX 20	47	360246	Screw M5x16		
14	361433	Screw 3,9X80	48	361370	Screw K5X25(D10) TORX 20		
15	361402	Screw K4X13 TORX 20	49	120724	Cord protector		
16	151656	Casing handle set	(1)(2)	50	152574	Cord with a plug	
17	170660	Switch PS 16 E00	(3)				
18	151655	Lock button	(4)	50	122051	Cord with a plug	
19	151654	Lock lever	51	151658	Rubber pad		
20	151413	Spring	52	121837	Back up disc washer		
21	361328	Screw K4x18 TORX 20	53	121838	Locking nut		
(1)(2)	22	152959	Electronic block	54	154269	Special spanner 240	
(3)(4)	22	152957	Electronic block	(1)(2)	55	151276	Disk guard 180E
23	151671	Cord clamp	(3)				
24	361360	Screw K 4X9,5 TORX 20	(4)	55	151268	Disk guard 230E	
25	151657	Gear box set	56	121265	Handle		
26	330125	Bearing HK 1212	57	152513	Plate		
27	330943	Bearing 6202 2RSL P63 LDS18SpA	57****	113244	Spiral spring		
28	330126	Dust protector/NILOS-ring 6202	201	170497	Operating instruction		
29	117268	Spring washer	202	170377	Packaging		
30	330472	Circlip A35	204	141745	Grease 8 - 1,00 kg.		
30****	330732	Circlip A35-1D					
31	117269	Spindle					
32	152125	Bearing bed					
33	330124	Bearing 6203-2RS					
34	151611	Bearing bed					

Note:  
 \*- from 01.10.2004; \*\* - from 08.08.2006; \*\*\* - from 01.02.2007;  
 \*\*\*\* - from 01.02.2008; \*\*\*\*\* - from 01.02.2009  
 (1) - only for MB 2001V; (2) - only for MBA 2001V;  
 (3) - only for MB 2001PV; (4) - only for MBA 2001PV



**MB 2001V  
 MBA 2001V  
 MB 2001PV  
 MBA 2001PV**