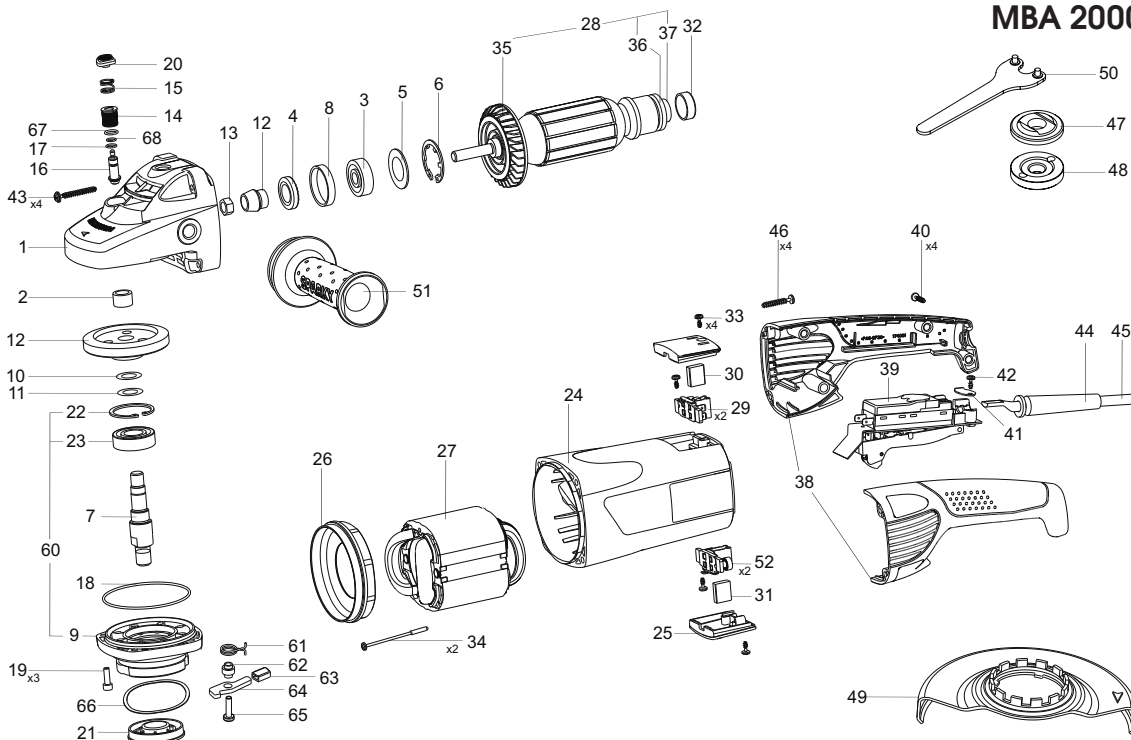


PROFESSIONAL
MB 2000/AVR - 178753; MB 2000 - 178753; MBA 2000/AVR - 178755; MBA 2000 (from 01.02.2010) - 178755;
MB 2000P/AVR - 157365; MB 2000P - 157365; MBA 2000P/AVR - 157366; MBA 2000P - 157366

POS. No.	Ref.No.	Description	POS. No.	Ref.No.	Description
	1	178878 Gear box		40	361328 Screw K4x18 TORX 20
	2	330125 Bearing HK 12I2		41	151671 Cord clamp
	3	330944 Bearing 6300 2RSL P63 LDS18SpA		42	361360 Screw K 4X9.5 TORX 20
	4	153341 Gasket		43	361371 Screw K5X40(D10) TORX 20
	5	173936 Inner Flange		44	120724 Cord protector
	6	173934 Circlip		45	152574 Cord with a plug
	7	174022 Spindle		46	361369 Screw A-K 5x25 TORX 20
	8	173935 Rubber bush		47	121837 Back up disc washer
	9*	177360 Bearing bed		48	121838 Locking nut
	9**	142598 Bearing bed	(1)(2)	49	178768 Guard Φ180 T20
	10	117504 Spacer washer	(5)(6)		
	11	117505 Spacer washer	(3)(4)	49	178777 Guard Φ230 T20
(1)(2)	12	152668 Gear set	(7)(8)		
(5)(6)				50	154269 Special spanner 240
(3)(4)	12	152666 Gear set	(1)(3)	51	173725 Handle AVR M14/L12
(7)(8)			(5)(7)		
	13	113256 Nut	(2)(4)	51	121265 Handle
	14	174007 Bush	(6)(8)		
	15	174021 Spring		52	113244 Spiral spring
	16	174008 Pin	60*	177368 Bearing bed set	
	17	330344 O-ring 6X1.5B NBR70	60**	142602 Bearing bed set	
	18	330352 O-ring 80X2B	61	154790 Spring	
	19	360246 Screw M5x16	62	177337 Bush	
	20	174006 Button	63	177366 Button	
	21	174020 Protective washer	64	177338 Lock lever	
	22	330473 Circlip A40-1D	65	361201 Screw M5x30-8,8okc	
	23	330124 Bearing 6203-2RS	66	177335 Spring	
	24	174010 Body	67	330331 O-ring 2-10x1,5-2	
	25	174005 Brush holder cover	68	330704 O-ring 5x1,5 NBR 70	
	26	174004 Diffuser	(1)(3)	70**	142063 Circlip M
	27	176451 Stator set	(5)(7)		
	28	174040 Armature set	(1)(3)	201	179242 Operating instruction
	29	190020 Brush holder set	(5)(7)		
	30	153014 Brush	(2)(4)	201	179241 Operating instruction
	31	153015 Brush with a switch	(6)(8)		
	32	164934 Rubber bush	202	174349 Tool case	
	33	361360 Screw K 4X9.5 TORX 20	204	141745 Grease 8 - 1,00 kg.	
	34	361433 Screw 3,9X80			
	35	154350 Fan			
	36	151648 Protective washer			
	37	331149 Bearing 608-2RS-P63 LDS18SpA			
	38	174002 Handle			
(1)(2)	39	170668 Switch PS16E01			
(3)(4)					
(5)(6)	39	170669 Switch PS16E02			
(7)(8)					

Note:
 (1) - only for MB 2000/AVR c 01.02.2010; (2) - only for MB 2000 c 01.02.2010;
 (3) - only for MBA 2000/AVR c 01.02.2010; (4) - only for MBA 2000 c 01.02.2010
 (5) - only for MB 2000P/AVR; (6) - only for MB 2000P;
 (7) - only for MBA 2000P/AVR ; (8) - only for MBA 2000P
 *- fill 01.11.2013; **- from 01.11.2013



MB 2000 AVR
MB 2000
MBA 2000 AVR
MBA 2000 (from 01.02.2010)
MB 2000P AVR
MB 2000P
MBA 2000P AVR
MBA 2000P