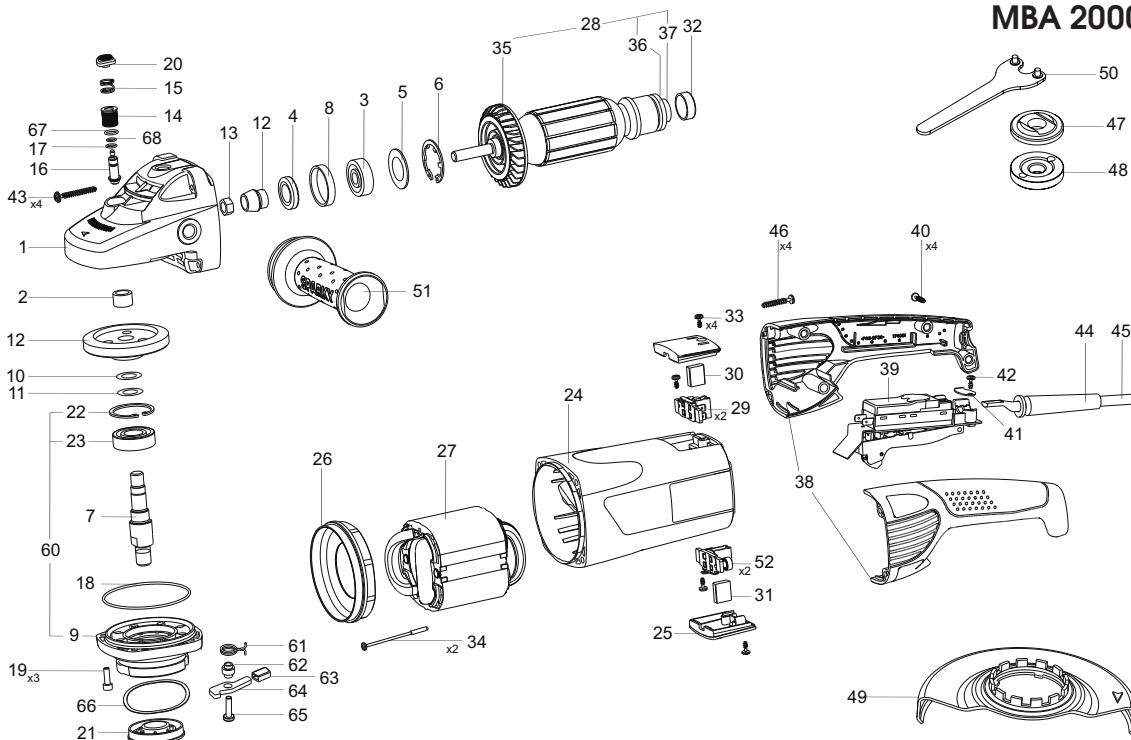


**PROFESSIONAL**  
**MB 2000/AVR - 178753; MB 2000 - 178753; MBA 2000/AVR - 178755; MBA 2000 (from 01.02.2010) - 178755;**  
**MB 2000P/AVR - 157365; MB 2000P - 157365; MBA 2000P/AVR - 157366; MBA 2000P - 157366**

POS. No.	Ref.No.	Description	POS. No.	Ref.No.	Description
	1	178878 Gear box	40	361328	Screw K4x18 TORX 20
	2	330125 Bearing HK 12I2	41	151671	Cord clamp
	3	330944 Bearing 6300 2RSL P63 LDS18SpA	42	361360	Screw K 4X9.5 TORX 20
	4	153341 Gasket	43	361371	Screw K5X40(D10) TORX 20
	5	173936 Inner Flange	44	120724	Cord protector
	6	173934 Circlip	45	152574	Cord with a plug
	7	174022 Spindle	46	361369	Screw A-K 5x25 TORX 20
	8	173935 Rubber bush	47	121837	Back up disc washer
	9*	177360 Bearing bed	48	121838	Locking nut
	9**	142598 Bearing bed	49	178768	Guard Φ180 T20
	10	117504 Spacer washer	(1)(2)		
	11	117505 Spacer washer	(5)(6)		
(1)(2)	12	152668 Gear set	(3)(4)	49	178777 Guard Φ230 T20
(5)(6)			(7)(8)		
(3)(4)	12	152666 Gear set		50	154269 Special spanner 240
(7)(8)			(1)(3)	51	173725 Handle AVR M14/L12
	13	113256 Nut	(5)(7)		
	14	174007 Bush	(2)(4)	51	121265 Handle
	15	174021 Spring	(6)(8)		
	16	174008 Pin		52	113244 Spiral spring
	17	330344 O-ring 6X1.5B NBR70	60*	177368	Bearing bed set
	18	330352 O-ring 80X2B	60**	142602	Bearing bed set
	19	360246 Screw M5x16	61	154790	Spring
	20	174006 Button	62	177337	Bush
	21	174020 Protective washer	63	177366	Button
	22	330473 Circlip A40-1D	64	177338	Lock lever
	23	330124 Bearing 6203-2RS	65	361201	Screw M5x30-8,8okc
	24	174010 Body	66	177335	Spring
	25	174005 Brush holder cover	67	330331	O-ring 2-10x1,5-2
	26	174004 Diffuser	68	330704	O-ring 5x1,5 NBR 70
	27	176451 Stator set	(1)(3)	70**	142063 Circlip M
	28	174040 Armature set	(5)(7)		
	29	190020 Brush holder set	(1)(3)	201	179242 Operating instruction
	30	153014 Brush	(5)(7)		
	31	153015 Brush with a switch	(2)(4)	201	179241 Operating instruction
	32	164934 Rubber bush	(6)(8)		
	33	361360 Screw K 4X9.5 TORX 20	202	174349	Tool case
	34	361433 Screw 3,9X80	204	141745	Grease 8 - 1,00 kg.
	35	154350 Fan			
	36	151648 Protective washer			
	37	331149 Bearing 608-2RS-P63 LDS18SpA			
	38	174002 Handle			
(1)(2)	39	170668 Switch PS16E01			
(3)(4)					
(5)(6)	39	170669 Switch PS16E02			
(7)(8)					

Note:  
 (1) - only for MB 2000/AVR c 01.02.2010; (2) - only for MB 2000 c 01.02.2010;  
 (3) - only for MBA 2000/AVR c 01.02.2010; (4) - only for MBA 2000 c 01.02.2010  
 (5) - only for MB 2000P/AVR; (6) - only for MB 2000P;  
 (7) - only for MBA 2000P/AVR ; (8) - only for MBA 2000P  
 \*- fill 01.11.2013; \*\*- from 01.11.2013



**MB 2000 AVR**  
**MB 2000**  
**MBA 2000 AVR**  
**MBA 2000 (from 01.02.2010)**  
**MB 2000P AVR**  
**MB 2000P**  
**MBA 2000P AVR**  
**MBA 2000P**