

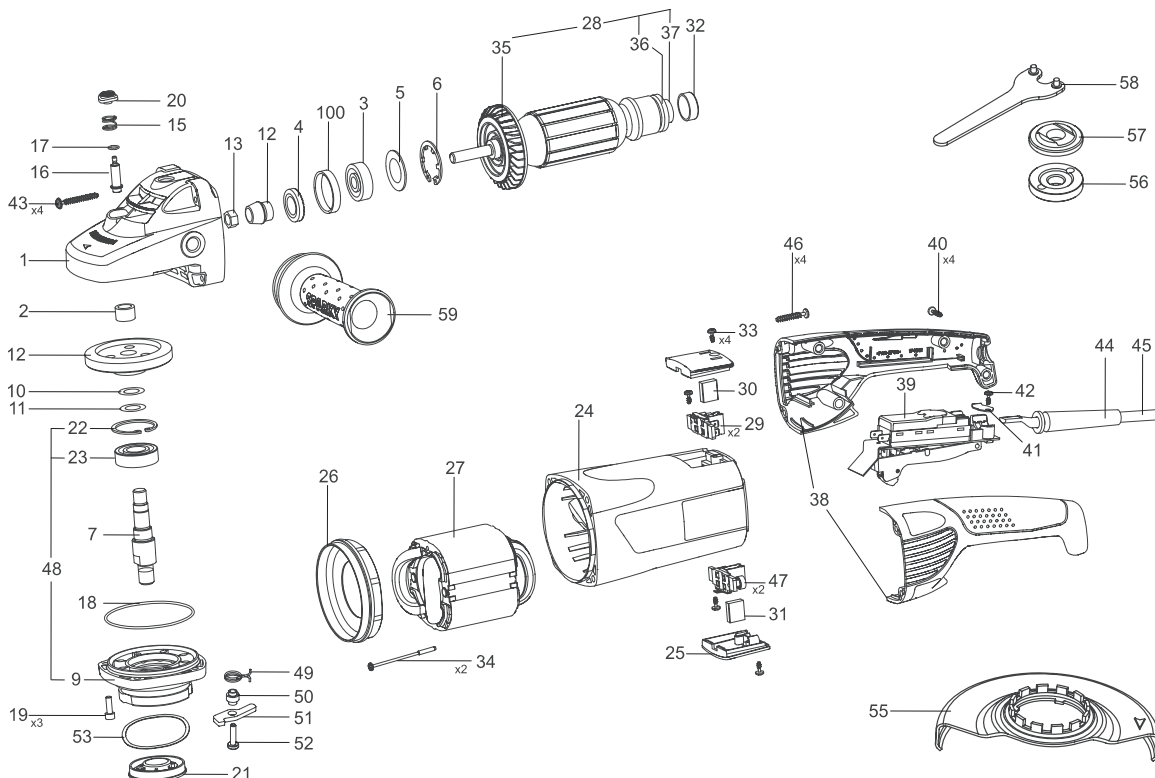
PROFESSIONAL, HD PROFESSIONAL
M 1010 - 176553; MB 1010 - 176554; MB 1010PA - 176555;
M 1010 HD - 158746; MB 1010 HD - 158747; MB 1010PA HD - 158748

POS. No.	Ref.No.	Description	POS. No.	Ref.No.	Description
(1)(2)(3)	1*	175821 Gear box	(3)(6)	38	175777 Casing handle set AVS
(1)(2)(3)	1**	156479 Gear box	(1)(4)	39	170660 Switch PS 16 E00
(4)(5)(6)	1	158700 Gear box HD	(2)(5)	39	170668 Switch PS16E01
	2	330603 Bearing HK0912	(3)(6)	39	170669 Switch PS16E02
	3	330945 Bearing 6000 2RSL P63 LDS18SpA	40	361328	Screw K4x18 TORX 20
	4	176563 Gasket	41	151671	Cord clamp
	5*	176176 Inner Flange S 19x26 DIN 988	42	361360	Screw K 4X9,5 TORX 20
	5**	156480 Inner Flange	43	361408	Screw K5X40 TORX 20
	6*	331289 Circlip JL 27-BLS	44	131939	Cord protector
	6**	154796 Circlip SPARKY 30	(1)(2)(3)	45	175759 Cord with a plug
	7	176174 Spindle	(4)(5)(6)	45	158694 Cord with a plug euro plug RAL 3020
(1)(2)(3)	9***	175823 Bearing bed	46	361369	Screw A-K 5x25 TORX 20
(1)(2)	9****	142596 Bearing bed	47	112257	Spiral spring
(3)			(1)(2)	48***	176590 Bearing bed set
(4)(5)(6)	9****	158709 Bearing bed HD	(3)		
(4)(5)	9****	142269 Bearing bed HD	(1)(2)	48****	142600 Bearing bed set
(6)			(3)		
	10	114023 Spacer washer	(4)(5)	48***	158722 Bearing bed set HD
	11	114024 Spacer washer	(6)		
	12	176565 Gear set	(4)(5)	48****	142272 Bearing bed set HD
	13	176562 Nut M9	(6)		
	15	113344 Spring		49	154790 Spring
	16	176168 Pin		50	154789 Bush
	17	330345 O-ring 7X1.5B		51	154788 Lock lever
	18	330379 O-ring 66X2B		52	361188 Screw H1-M5X20
	19	361132 Screw H1-M5X12		53	154791 Spring
(1)(2)(3)	20	176167 Button	(1)(2)(3)	55	178609 Disk guard 150
(4)(5)(6)	20	155609 Button	(4)(5)(6)	55	158853 Disk guard 150 T20/HD
	21	176175 Protective washer		56	121838 Locking nut
	22	331136 Circlip A37-1D		57	121837 Back up disc washer
	23	331120 Bearing 6301-2RS		58	154269 Special spanner 240
	24	175725 Body		59	173725 Handle AVR M14/L12
	25	175726 Brush holder cover	100**	156478	Rubber bush
	26	175727 Diffuser	101****	142062	Circlip L
	27	175764 Stator set		201	141225 Operating instruction
	28	175745 Armature set		202	141214 Packaging
	29	175826 Brush holder set		204	141745 Grease 8 - 1,00 kg.
	30	120965 Brush			
	31	120964 Brush with a switch			
	32	164934 Rubber bush			
	33	361360 Screw K 4X9,5 TORX 20			
	34	361428 Screw 3,9X60			
	35	131578 Fan			
	36	152531 Protective washer			
	37	330287 Bearing 627-2ZP6LDS18			
(1)(2)	38	175728 Casing handle set			
(4)(5)					

Note:

- (1) - only for M 1010 PROFESSIONAL
- (2) - only for MB 1010 PROFESSIONAL
- (3) - only for MB 1010PA PROFESSIONAL
- (4) - only for M 1010 HD PROFESSIONAL
- (5) - only for MB 1010 HD PROFESSIONAL
- (6) - only for MB 1010PA HD PROFESSIONAL

*- till 01.12.2010; **- from 01.12.2010; ***- till 01.11.2013; ****- from 01.11.2013



M 1010
MB 1010
MB 1010PA
M 1010 HD
MB 1010 HD
MB 1010PA HD