

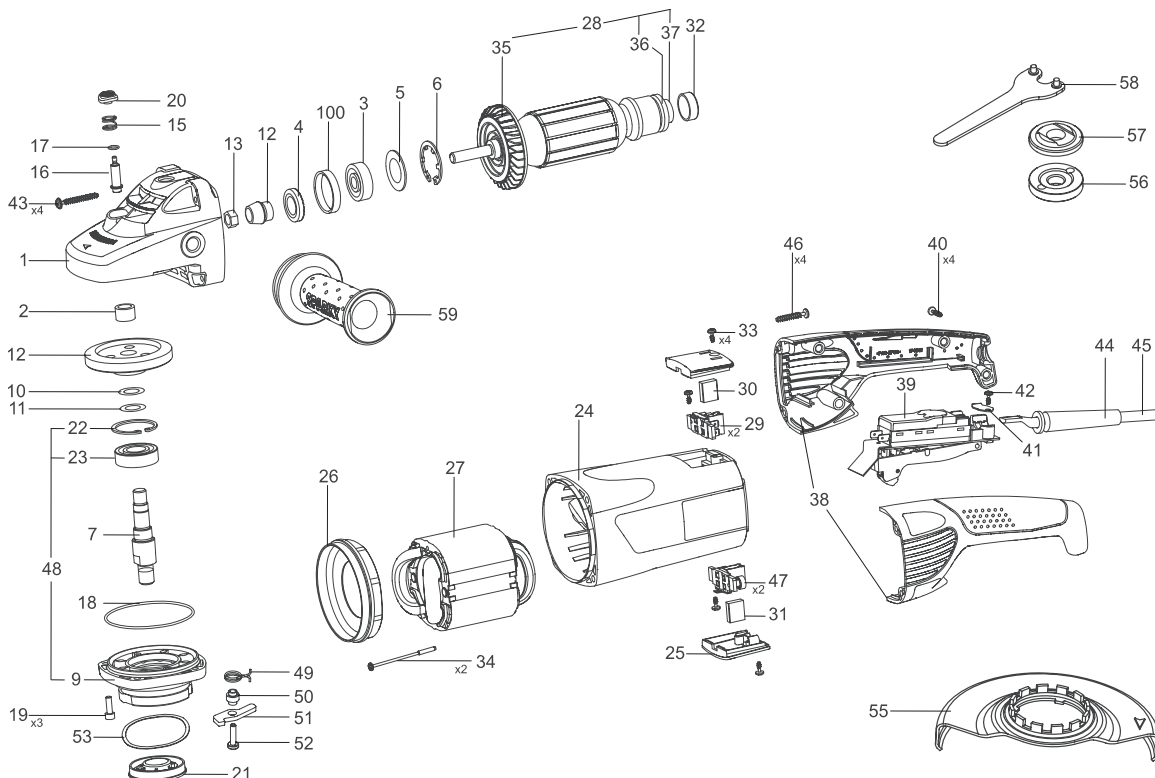
PROFESSIONAL, HD PROFESSIONAL
M 1010 - 176553; MB 1010 - 176554; MB 1010PA - 176555;
M 1010 HD - 158746; MB 1010 HD - 158747; MB 1010PA HD - 158748

| POS. No. | Ref.No. | Description | POS. No. | Ref.No. | Description |
|-----------|---------|---------------------------------------|-----------|---------|--|
| (1)(2)(3) | 1* | 175821 Gear box | (3)(6) | 38 | 175777 Casing handle set AVS |
| (1)(2)(3) | 1** | 156479 Gear box | (1)(4) | 39 | 170660 Switch PS 16 E00 |
| (4)(5)(6) | 1 | 158700 Gear box HD | (2)(5) | 39 | 170668 Switch PS16E01 |
| | 2 | 330603 Bearing HK0912 | (3)(6) | 39 | 170669 Switch PS16E02 |
| | 3 | 330945 Bearing 6000 2RSL P63 LDS18SpA | 40 | 361328 | Screw K4x18 TORX 20 |
| | 4 | 176563 Gasket | 41 | 151671 | Cord clamp |
| | 5* | 176176 Inner Flange S 19x26 DIN 988 | 42 | 361360 | Screw K 4X9,5 TORX 20 |
| | 5** | 156480 Inner Flange | 43 | 361408 | Screw K5X40 TORX 20 |
| | 6* | 331289 Circlip JL 27-BLS | 44 | 131939 | Cord protector |
| | 6** | 154796 Circlip SPARKY 30 | (1)(2)(3) | 45 | 175759 Cord with a plug |
| | 7 | 176174 Spindle | (4)(5)(6) | 45 | 158694 Cord with a plug euro plug RAL 3020 |
| (1)(2)(3) | 9*** | 175823 Bearing bed | 46 | 361369 | Screw A-K 5x25 TORX 20 |
| (1)(2) | 9**** | 142596 Bearing bed | 47 | 112257 | Spiral spring |
| (3) | | | (1)(2) | 48*** | 176590 Bearing bed set |
| (4)(5)(6) | 9**** | 158709 Bearing bed HD | (3) | | |
| (4)(5) | 9**** | 142269 Bearing bed HD | (1)(2) | 48**** | 142600 Bearing bed set |
| (6) | | | (3) | | |
| | 10 | 114023 Spacer washer | (4)(5) | 48*** | 158722 Bearing bed set HD |
| | 11 | 114024 Spacer washer | (6) | | |
| | 12 | 176565 Gear set | (4)(5) | 48**** | 142272 Bearing bed set HD |
| | 13 | 176562 Nut M9 | (6) | | |
| | 15 | 113344 Spring | | 49 | 154790 Spring |
| | 16 | 176168 Pin | | 50 | 154789 Bush |
| | 17 | 330345 O-ring 7X1.5B | | 51 | 154788 Lock lever |
| | 18 | 330379 O-ring 66X2B | | 52 | 361188 Screw H1-M5X20 |
| | 19 | 361132 Screw H1-M5X12 | | 53 | 154791 Spring |
| (1)(2)(3) | 20 | 176167 Button | (1)(2)(3) | 55 | 178609 Disk guard 150 |
| (4)(5)(6) | 20 | 155609 Button | (4)(5)(6) | 55 | 158853 Disk guard 150 T20/HD |
| | 21 | 176175 Protective washer | 56 | 121838 | Locking nut |
| | 22 | 331136 Circlip A37-1D | 57 | 121837 | Back up disc washer |
| | 23 | 331120 Bearing 6301-2RS | 58 | 154269 | Special spanner 240 |
| | 24 | 175725 Body | 59 | 173725 | Handle AVR M14/L12 |
| | 25 | 175726 Brush holder cover | 100** | 156478 | Rubber bush |
| | 26 | 175727 Diffuser | 101**** | 142062 | Circlip L |
| | 27 | 175764 Stator set | 201 | 141225 | Operating instruction |
| | 28 | 175745 Armature set | 202 | 141214 | Packaging |
| | 29 | 175826 Brush holder set | 204 | 141745 | Grease 8 - 1,00 kg. |
| | 30 | 120965 Brush | | | |
| | 31 | 120964 Brush with a switch | | | |
| | 32 | 164934 Rubber bush | | | |
| | 33 | 361360 Screw K 4X9,5 TORX 20 | | | |
| | 34 | 361428 Screw 3,9X60 | | | |
| | 35 | 131578 Fan | | | |
| | 36 | 152531 Protective washer | | | |
| | 37 | 330287 Bearing 627-2ZP6LDS18 | | | |
| (1)(2) | 38 | 175728 Casing handle set | | | |
| (4)(5) | | | | | |

Note:

- (1) - only for M 1010 PROFESSIONAL
- (2) - only for MB 1010 PROFESSIONAL
- (3) - only for MB 1010PA PROFESSIONAL
- (4) - only for M 1010 HD PROFESSIONAL
- (5) - only for MB 1010 HD PROFESSIONAL
- (6) - only for MB 1010PA HD PROFESSIONAL

*- till 01.12.2010; **- from 01.12.2010; ***- till 01.11.2013; ****- from 01.11.2013



M 1010
MB 1010
MB 1010PA
M 1010 HD
MB 1010 HD
MB 1010PA HD