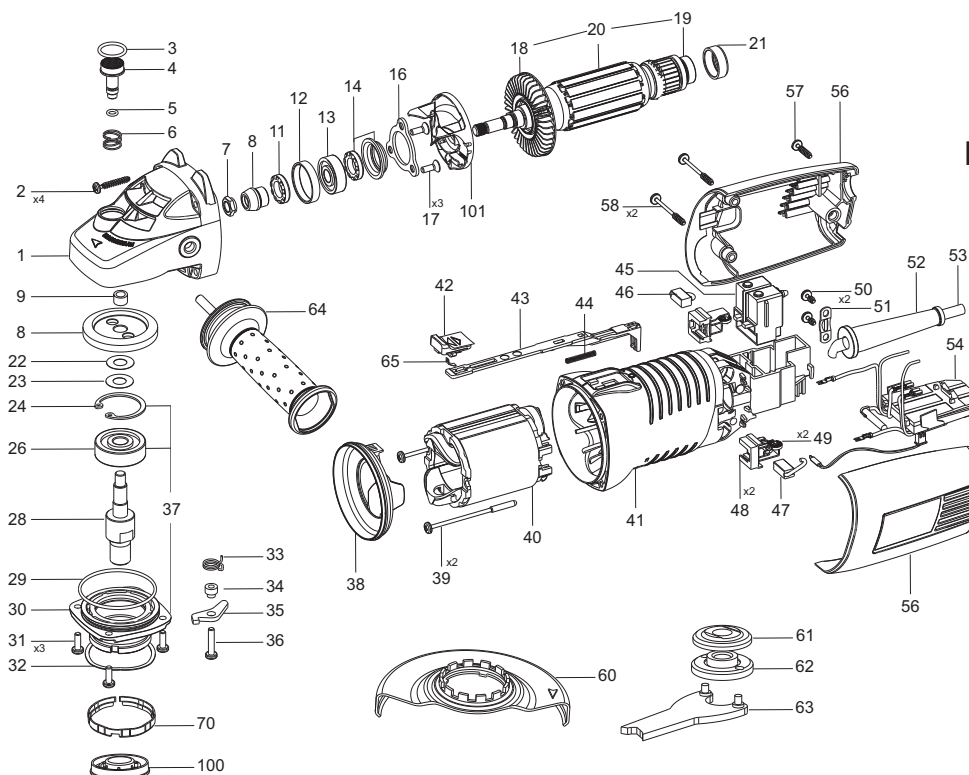


HD PROFESSIONAL
M 850E HD - 158800; M 1050E HD - 158802; M 1200E HD - 158804;
M 1200CES HD - 158805; M 1400CES HD - 158807; M 1400CES PLUS HD - 158808

| POS. No. | Ref.No. | Description | POS. No. | Ref.No. | Description |
|----------|---------|--------------------------------|----------|---------|----------------------------|
| 1 | 158706 | Gear box HD | (1) | 40 | 159059 Stator set HD |
| 2 | 361366 | Screw K 4X25 TORX 20 | (2) | 40 | 159060 Stator set HD |
| 3 | 330335 | O-ring 16X2B | (3) | 40 | 159061 Stator set HD |
| 4 | 117795 | Lock button | (4) | 40 | 159062 Stator set HD |
| 5 | 330704 | O-ring 5x1,5 NBR 70 | (5) | 40 | 159063 Stator set HD |
| 6 | 115165 | Spring | (6) | 40 | 159064 Stator set HD |
| 7 | 117800 | Nut M8x1 | 41 | 157294 | Body L50-55 |
| 8 | 158636 | Gear set 3,44 | 42 | 157301 | Button |
| 9 | 933756 | Bearing HK0709 | 43 | 157300 | Guiding switch lever L |
| 11 | 157335 | Gasket 13,5 | 44 | 146782 | Pressure spring 0.4x4x25 |
| 12 | 156478 | Rubber bush | 45 | 102100 | Switch PS8 |
| 13 | 331437 | Bearing 629 2RSL P63 LDS 18SpA | (1)(2) | 46 | 129092 Brush |
| 14 | 157339 | Profile washer set | (3)(4) | 46 | 153056 Brush |
| 16 | 157311 | Bearing cover | (5)(6) | | |
| 17 | 360673 | Screw M4X12 | (1)(2) | 47 | 129093 Brush with a switch |
| 18 | 152579 | Fan | (3)(4) | 47 | 153057 Brush with a switch |
| 19 | 331509 | Bearing 626 2RSL | (5)(6) | | |
| (1) | 20 | 157331 Armature set | 48 | 129082 | Brush holder set |
| (2) | 20 | 157327 Armature set | 49 | 254364 | Spiral spring |
| (3) | 20 | 157330 Armature set | 50 | 361360 | Screw K 4X9,5 TORX 20 |
| (4) | 20 | 157329 Armature set | 51 | 256500 | Cord clamp |
| (5)(6) | 20 | 157320 Armature set | 52 | 152759 | Cord protector |
| 21 | 129087 | Elastic sleeve | 53 | 158699 | Cord with a plug RAL 3020 |
| 22 | 117798 | Spacer washer | (1)(2) | 54 | 159099 Electronic block |
| 23 | 117799 | Spacer washer | (3) | 54 | 159097 Electronic block |
| 24 | 330732 | Circlip A35-1D | (4) | 54 | 159096 Electronic block |
| 26 | 330117 | Bearing 6202-2RS | (5) | 54 | 159095 Electronic block |
| 26* | 331665 | Bearing 6300 - 2RSL | (6) | 54 | 159094 Electronic block |
| 28 | 117788 | Spindle | 56 | 157295 | Couple cover set |
| 28* | 152772 | Spindle | 57 | 361328 | Screw K4x18 TORX 20 |
| 29 | 330336 | O-ring 50X2B | 58 | 361367 | Screw K 4X37/25 TORX 20 |
| 30** | 158721 | Bearing bed HD | 59 | 116757 | Rubber bush |
| 30*** | 142268 | Bearing bed HD | 60 | 158851 | Guard Φ125 T20/HD |
| 30**** | 147615 | Bearing bed | 61 | 121837 | Back up disc washer |
| 31 | 361131 | Screw H2-M4x12 | 62 | 121838 | Locking nut |
| 32 | 177346 | Spring | 63 | 154268 | Spanner 173 set |
| 33 | 177347 | Spring | 64 | 146375 | Handle AVR M8/L10 |
| 34 | 177344 | Bush | 65 | 157990 | Spring |
| 35 | 177345 | Lock lever | 70*** | 142061 | Circlip S |
| 36 | 361189 | Screw H2-M4X20 | 100**** | 146774 | Labyrinth Washer |
| 37 | 158731 | Bearing bed set HD | 101***** | 147001 | Diffuser |
| 37* | 146723 | Bearing bed set HD | 201 | 141125 | Operating instruction |
| 37** | 146723 | Bearing bed set HD | 202 | 159010 | Packaging |
| 37*** | 142271 | Bearing bed set HD | 204 | 141745 | Grease 8 - 1,00 kg. |
| 37**** | 147616 | Bearing bed set | | | |
| 38 | 157299 | Diffuser L 50-55 | | | |
| (1)(2) | 39 | 361429 Screw 3.9x64 | | | |
| (3)(4) | 39 | 361430 Screw 3.9x69 | | | |
| (5)(6) | | | | | |

Note: (1) - only for M 850E HD; (2) -only for M 1050E HD; (3) -only for M 1200E PLUS HD;
(4) - only for M 1200CES HD; (5) - only for M 1400CES HD; (6) -only for M 1400CES PLUS HD
Note:*-from 14.01.2013; **- till 01.11.2013; *** - from 01.11.2013; ****-from 01.02.2014;
*****-from 01.10.2014; *****- till 01.02.2016



M 850E HD
M 1050E HD
M 1200E HD
M 1200CES HD
M 1400CES HD
M 1400CES PLUS HD