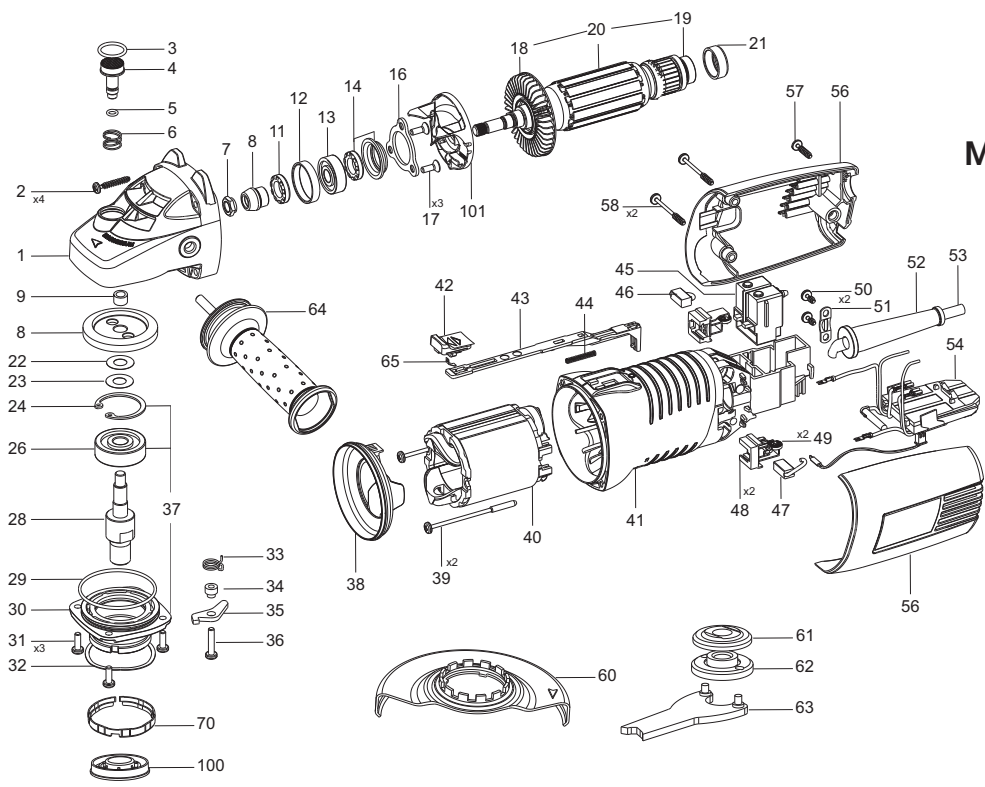


**HD PROFESSIONAL**  
**M 850E HD - 158800; M 1050E HD - 158802; M 1200E HD - 158804;**  
**M 1200CES HD - 158805; M 1400CES HD - 158807; M 1400CES PLUS HD - 158808**

POS. No.	Ref.No.	Description	POS. No.	Ref.No.	Description
1	158706	Gear box HD	(1)	40	159059 Stator set HD
2	361366	Screw K 4X25 TORX 20	(2)	40	159060 Stator set HD
3	330335	O-ring 16X2B	(3)	40	159061 Stator set HD
4	117795	Lock button	(4)	40	159062 Stator set HD
5	330704	O-ring 5x1,5 NBR 70	(5)	40	159063 Stator set HD
6	115165	Spring	(6)	40	159064 Stator set HD
7	117800	Nut M8x1	41	157294	Body L50-55
8	158636	Gear set 3,44	42	157301	Button
9	933756	Bearing HK0709	43	157300	Guiding switch lever L
11	157335	Gasket 13,5	44	146782	Pressure spring 0.4x4x25
12	156478	Rubber bush	45	102100	Switch PS8
13	331437	Bearing 629 2RSL P63 LDS 18SpA	(1)(2)	46	129092 Brush
14	157339	Profile washer set	(3)(4)	46	153056 Brush
16	157311	Bearing cover	(5)(6)		
17	360673	Screw M4X12	(1)(2)	47	129093 Brush with a switch
18	152579	Fan	(3)(4)	47	153057 Brush with a switch
19	331509	Bearing 626 2RSL	(5)(6)		
(1)	20	157331 Armature set	48	129082	Brush holder set
(2)	20	157327 Armature set	49	254364	Spiral spring
(3)	20	157330 Armature set	50	361360	Screw K 4X9,5 TORX 20
(4)	20	157329 Armature set	51	256500	Cord clamp
(5)(6)	20	157320 Armature set	52	152759	Cord protector
21	129087	Elastic sleeve	53	158699	Cord with a plug RAL 3020
22	117798	Spacer washer	(1)(2)	54	159099 Electronic block
23	117799	Spacer washer	(3)	54	159097 Electronic block
24	330732	Circlip A35-1D	(4)	54	159096 Electronic block
26	330117	Bearing 6202-2RS	(5)	54	159095 Electronic block
26*	331665	Bearing 6300 - 2RSL	(6)	54	159094 Electronic block
28	117788	Spindle	56	157295	Couple cover set
28*	152772	Spindle	57	361328	Screw K4x18 TORX 20
29	330336	O-ring 50X2B	58	361367	Screw K 4X37/25 TORX 20
30**	158721	Bearing bed HD	59	116757	Rubber bush
30***	142268	Bearing bed HD	60	158851	Guard Φ125 T20/HD
30****	147615	Bearing bed	61	121837	Back up disc washer
31	361131	Screw H2-M4x12	62	121838	Locking nut
32	177346	Spring	63	154268	Spanner 173 set
33	177347	Spring	64	146375	Handle AVR M8/L10
34	177344	Bush	65	157990	Spring
35	177345	Lock lever	70***	142061	Circlip S
36	361189	Screw H2-M4X20	100****	146774	Labyrinth Washer
37	158731	Bearing bed set HD	101*****	147001	Diffuser
37*	146723	Bearing bed set HD	201	141125	Operating instruction
37**	146723	Bearing bed set HD	202	159010	Packaging
37***	142271	Bearing bed set HD	204	141745	Grease 8 - 1,00 kg.
37****	147616	Bearing bed set			
38	157299	Diffuser L 50-55			
(1)(2)	39	361429 Screw 3.9x64			
(3)(4)	39	361430 Screw 3.9x69			
(5)(6)					

Note: (1) - only for M 850E HD; (2) -only for M 1050E HD; (3) -only for M 1200E PLUS HD;  
(4) - only for M 1200CES HD; (5) - only for M 1400CES HD; (6) -only for M 1400CES PLUS HD  
Note:\*-from 14.01.2013; \*\*- till 01.11.2013; \*\*\* - from 01.11.2013; \*\*\*\*-from 01.02.2014;  
\*\*\*\*\*-from 01.10.2014; \*\*\*\*\*- till 01.02.2016



**M 850E HD**  
**M 1050E HD**  
**M 1200E HD**  
**M 1200CES HD**  
**M 1400CES HD**  
**M 1400CES PLUS HD**