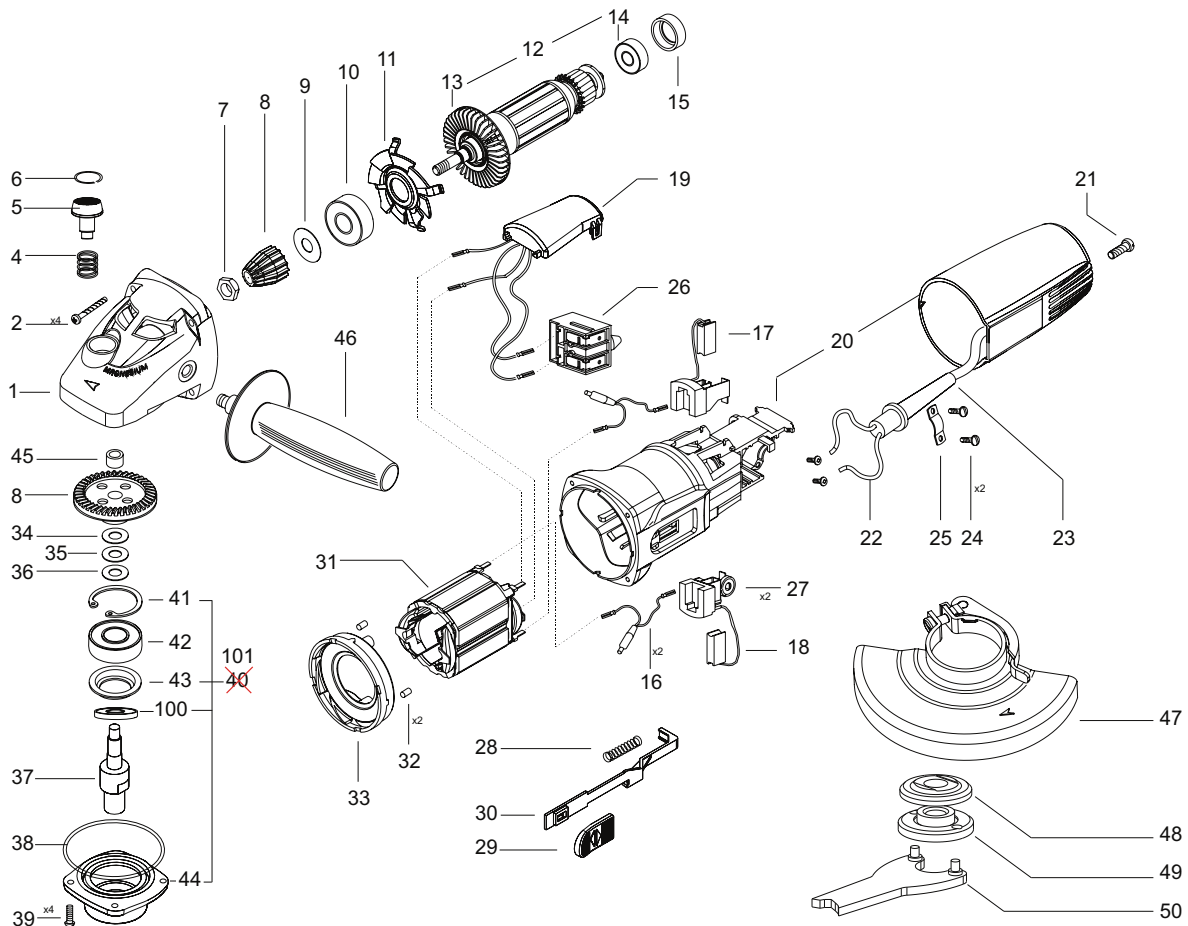


POS. No.	Ref.No.	Description	POS. No.	Ref.No.	Description
1	175498	Gear box	30	152758	Guiding switch lever
2	361366	Screw K 4X25 TORX 20	31	120831	Stator set
4	115165	Spring	32	272960	Claming pin
5	121259	Lock button	33	152756	Diffuser
6	330335	O-ring 16X2B	34	117797	Spacer washer
7	152767	Nut M 7x1	35	117798	Spacer washer
8	151705	Gear set	36	117799	Spacer washer
9	151706	Oil - churning bush	37	152772	Spindle
9***	154261	Oil - churning bush	38	330336	O-ring 50X2B
10	330289	Bearing 6092ZP63LDS18	39	361131	Screw H2-M4x12
10*****	330942	Bearing 609 2RSL P63 LDS18SpA	40*	152773	Bearing bed
11	152755	Bearing cover	41	330472	Circlip A35
12	152764	Armature set	41*****	330732	Circlip A35-1D
13	152579	Fan	42	330718	Bearing 6300-2RS
14	330582	Bearing 6262ZP6E LDS18 SKF	43	113091	Spacer washer
15	129087	Elastic sleeve	44	128105	Bearing bed
16	124083	Choke	45	933756	Bearing HK0709
17	129092	Brush	46	121274	Handle
18	129093	Brush with a switch	47	151193	Disk guard 125
19	170510	Electronic block	48	121837	Back up disc washer
20	152770	Body with cover	49	121838	Locking nut
21	361328	Screw K4x18 TORX 20	50	121841	Special spanner 150
22	116549	Cord with a plug	50****	154268	Spanner 173 set
23	152759	Cord protector	100**	153586	Felt 30x19.2x6
24	361360	Screw K 4X9.5 TORX 20	101**	154380	Bearing bed set
25	256500	Cord clamp	201	170494	Operating instruction
26	129086	Switch	202	170374	Packaging
26****	153548	Switch APB-2114 Defond	204	179864	Grease Liver T-0 - 1,00 kg.
27	129082	Brush holder set			
28	131214	Pressure spring 0,5xE4x25			
29	170117	Slide			

Note:
 *- till 01.08.2005; **- from 01.08.2005;*** - from 01.04.2005;
 **** - from 21.10.2005; ***** - from 01.02.2007; ***** - from 01.02.2008



M 750E