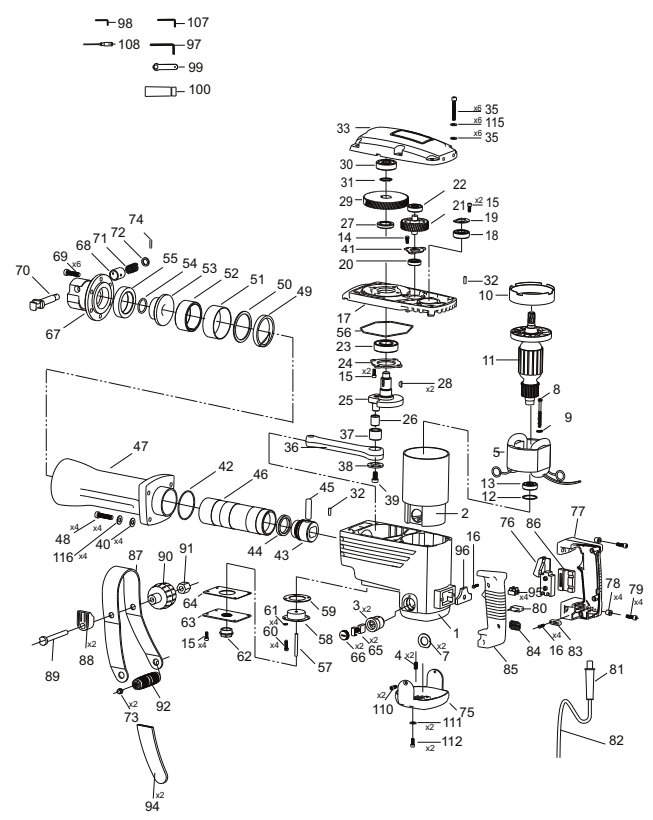


POS. No.	Ref.No.	Description	POS. No.	Ref.No.	Description
1	180854	Housing Ass'y	55	180908	Small Urethane Ring
2	180855	Stator Ass'y	56	180909	Heptagon Ring
3	180856	Brush Holder	57	180910	Oil Felt
4	180857	Hex. Lock Screw M5x8	58	180911	Felt Holder
5	180858	Stator+Brush Terminal	59	180912	Holder Seal
7	180860	Insulate Washer	60	180913	Machine Screw M4x12
8	180861	Tapping Screw ST4.8x65	61	180914	SpringWasher φ4
9	180862	Flat Washer φ5	62	180915	Oil Gauge
10	180863	Fan Guide	63	180916	Cover Plate
11	180864	Armature Ass'y	64	180917	Cover Seal
12	180865	Urethane Washer φ5	65	180918	Carbon Brush
13	180866	Ball bearing 6201 2RS C3	66	180919	Brush Cap
14	180867	Embedding-screws M5x10	67	180920	Front Cover
15	180868	Hex. Socket Bolt M5x12	68	180921	Spring Cover
16	180869	Tapping screw ST4.2x18	69	180922	Hex.SocketBolt M8x30
17	180870	Inner Cover	70	180923	Locking Lever
18	180871	Ball bearing 6203 2RS C3	71	180924	Level Spring
19	180872	6203 2RS C3 Bearing Cover	72	180925	Locking Lever Cover
20	180873	Ball bearing 6001 2RZ C2	73	180926	Hex. Head Screw M8x10
21	180874	Counter Gear	74	180927	Needle Roller φ4x18
22	180875	Ball bearing 6201 2RZ C2	75	180928	Fan Cover
23	180876	Ball bearing 6205 2Z C2	76	180929	Switch
24	180877	6205 2Z C2 Bearing Cover	77	180930	Main Handle
25	180878	Crank Shaft	78	180931	Distance Piece
26	180879	Crank Shaft Ring	79	180932	Hex. Socket Bolt M6x20
27	180880	Distance Ring	80	180933	Electric capacity 0.33uF
28	180881	Woodruff Key 4x16	81	180934	Cord Armor
29	180882	Final Gear	82	180935	Cord
30	180883	Ball bearing 6302 2Z C2	83	180936	Cord Clip
31	180884	φ22 Retaining Ring	84	180937	Electricity Feels 0.18uH
32	180885	Pin φ5x14	85	180938	Main Handle Cover
33	180886	Gear Cover	86	180939	Support (C)
34	180887	φ6 Flat Washer	87	180940	Side Handle Ass'y
35	180888	Hex. Socket Bolt M6x45	88	180941	Plastic clip
36	180889	Connecting rod ass'y	89	180942	Long-Screws M10x125
37	180890	Needle Bearing NK1820	90	180943	Handle Knob
38	180891	Crank Washer	91	180944	U-Nut M10x25
39	180892	Hex.Socket Bolt M8x1x35	92	180945	Grip
40	180893	φ8 Spring Washer	94	180961	Side Handle Ass'y Cover
41	180894	6001 2RZ C2 Bearing Cover	95	180947	Rivet
42	180895	O-ring Φ58x2	96	180948	Insulate the mat
43	180896	Piston	97	180949	6mm Hex. Bar Wrench
44	180897	L-Ring φ32x7	98	180950	5mm Hex. Bar Wrench
45	180898	Piston Pin	99	180951	Wrench For Tank Cover
46	180899	Cylinder	100	180952	Oil Bottle
47	180900	Aluminium head	107	180959	3mm Hex. Bar Wrench
48	180901	Hex. Socket Bolt M8x35	108	180960	Dual Screw Driver
49	180902	Big Urethane Ring	110	182953	Embedding Screw M4x10
50	180903	Mouth Washer	111	182954	φ4 Flat Washer
51	180904	Mouth Cover	112	182955	Hex. Socket Bolt M4x12
52	180905	Mouth	115	183057	Φ6 Spring Washer/ 88210052
53	180906	Shank Sleeve	116	182996	φ8 Spring Washer / 88210053
54	180907	Fluorin O-ring Φ23.5x5.2	204	179868	Grease 5 - 1,00 kg.



K 1640