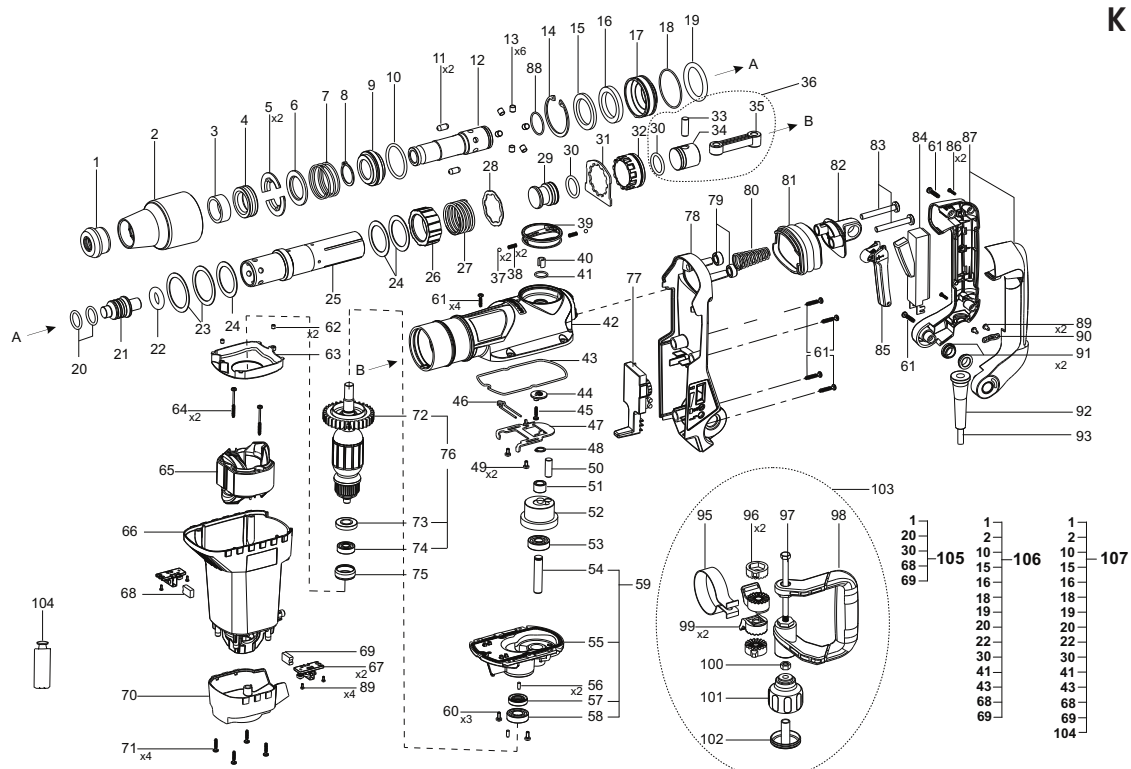


POS. No.	Ref.No.	Description	POS. No.	Ref.No.	Description
1	131082	Rubber bush	55	132758	Bearing shield
2	132337	SDS Cover	56	115865	Pin
3	131121	Elastic ring	57	330608	Gasket AS15x28x7 NBR
4	132795	Carrier ring	58	330853	Bearing 6002
5	131085	Semiring	59	132757	Bearing shield set
6	131088	Backing ring	60	361389	Screw J1-M4x10
7	131084	Spring	61	361370	Screw K5X25(D10) TORX 20
8	331260	Circlip B30	62	272961	Claming pin
9	132394	Locking ring	63	131918	Diffuser
10	330591	O-ring 46X4 NBR70	64	361368	Screw K 4X45/25 TORX 20
11	131089	Round cotter	65	131915	Stator set
12	132393	SDS-Spindle	66	131917	Body
13	330606	Roller 8X8	67	131923	Brush holder set
14	330610	Circlip A60	68	131076	Brush
15	131047	Gasket	69	131966	Brush with a switch
16	330609	Gasket AS40x55x7 NBR	70	131922	Cover
17	131116	Front support	71	361328	Screw K4x18 TORX 20
18	330593	O-ring 56X2 NBR70	72	130960	Fan
19	330601	O-ring 45X7 NBR70	73	131064	Protective washer
20	331281	O-ring 21.82x3.53 - FPM70	74	330953	Bearing 6000 2DDU P63LD18SpA
21	132769	Intermediate stricker	75	131952	Rubber bush
22	330663	O-ring 18X8 FPM70	76	132783	Armature set
23	132368	Spring Washer	77	132774	Electronic block
24	131055	Spacer washer	78	132785	Cover
25	132355	Spindle	79	131950	Tampon
26	132338	Support	80	131934	Spring
27	131054	Spring	81	131935	Gasket
28	132356	Spring Washer	82	131933	Joint
29	132768	Stricker	83	360909	Screw F2-M6x40
30	331282	O-ring 26x4 - FPM70	84	131079	Switch
31	132763	Rack	85	132779	Trigger set
32	132765	Tooth coupling	86	361328	Screw K4x18 TORX 20
33	131044	Pin	87	132782	Casing handle set
34	132353	Piston	88	330350	O-ring 26X2 NBR70
35	131009	Pitman	89	361360	Screw K 4X9.5 TORX 20
36	132397	Piston set	90	256500	Cord clamp
37	330074	Pellet 5-200	91	132150	Rubber bush
38	115862	Spring	92	131939	Cord protector
39	132766	Switch knob	93	158877	Cord with a plug RAL 3020
40	132358	Felt	95	132794	Bracket
41	330335	O-ring 16X2B	96	185298	Disk with gap
42	132754	Gear box set	97	185301	Hexagon head bolt M 8x130
43	132771	Gasket	98	185302	Side handle
44	132366	Spring Washer	99	132793	Vice
45	361328	Screw K4x18 TORX 20	100	185304	Nut M8(THICKNESS 6.4mm)
46	132367	Spring	101	132900	Nut
47	132773	Fork	102	132901	Cover
48	330483	Circlip B12	103	132789	Front handle set
49	360780	Screw F2-M4x8	104	131287	Tube of oil
50	131044	Pin	105	142152	First service pack K 615CE
51	330125	Bearing HK 12I2	106	142153	Second service pack K 615CE
52	132762	Spindle gear	107	142154	Third service pack K 615CE
53	330264	Bearing 62012ZP63LDS18	201	141802	Operating instruction
54	132764	Axle	202	132350	Tool case



## K 615CE HD