

**PROFESSIONAL, HD PROFESSIONAL
BP 750CE - 172827; BP 750CE - 158938**

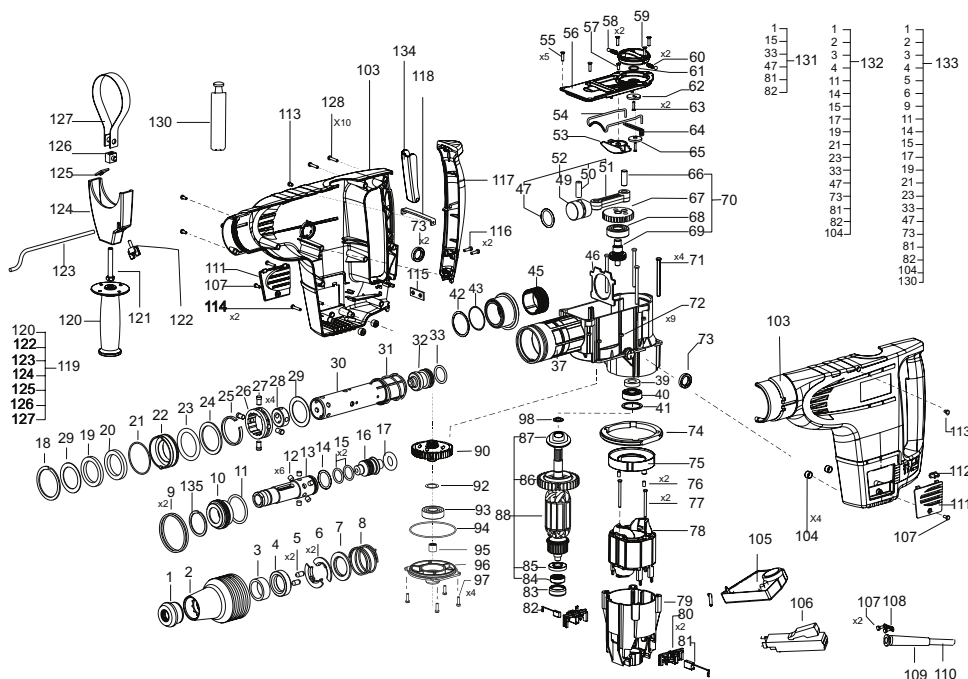
POS. No.	Ref.No.	Description
1	131082	Rubber bush
2	131353	SDS Cover
(1)(2)	172825	SDS Cover
3	131121	Elastic ring
4	131087	Carrier ring
5	131089	Round coffer
6	131085	Semiring
7	131088	Backing ring
8	131084	Spring
9	330379	O-ring 66X28
10	131359	Locking ring
11	330591	O-ring 46X4 NBR70
12	330606	Roller 8X8
13	131081	SDS-Spindle
14	330350	O-ring 26X2 NBR70
15	330662	O-ring 22X3 FPM70
16	131006	Intermediate stricker
17	330663	O-ring 18X8 FPM70
18	330610	Circlip A60
19	131047	Gasket
20	330609	Gasket AS40x55x7 NBR
21	330593	O-ring 56X2 NBR70
22	131116	Front support
23	330601	O-ring 45X7 NBR70
24	131056	Spacer washer
25	131016	Circlip
26	131013	Exterior ring
27	131017	Pin
28	131015	Interior ring
29	131055	Spacer washer
30	131113	Spindle
31	131054	Spring
32	131004	Stricker
33	330595	O-ring 26.58X3.53 FPM80
37	131048	Body set
39	330608	Gasket AS15x28x7 NBR
40	330695	Bearing 6202-2RS-P63-LDS18Sp.A
41	330472	Circlip A35
*	330732	Circlip A35-1D
42	131057	Padding washer
43	131058	Padding washer
45	131053	Tooth coupling
46	131052	Rack
47	330597	O-ring 28X3.5 FPM80
***	131011	Circlip
49	131008	Piston
****	131356	Piston
50	131010	Axle
****	131044	Pin
51	131009	Pitman
****	131007	Piston set
****	157342	Piston set
53	131031	Guide
54	131030	Fork
55	360674	Screw M4x18
56	131032	Cover
57	361360	Screw K 4X9,5 TORX 20
58	330074	Pellet 5-200
59	170110	Operation mode selector switch
60	115862	Spring
61	330337	O-ring 13x1.5
62	131036	Spacer washer
63	360667	Screw BZ2,9x16DIN7982
64	131035	Spring
65	131037	Spacer washer
66	131044	Pin
67	131043	Large intermediate gear
68	330634	Bearing 6203 2RSR FA177/INA
69	131042	Pinion
70	131041	Gear shaft set

POS. No.	Ref.No.	Description	
71	361410	Screw K5X64/20 TORX 20	
72	360149	Nut M4	
73	131097	Rubber insert	
74	131050	Ring	
75	131074	Diffuser	
76	239974	Claming pin	
77	361405	Screw K4X64 TORX 20	
78	172442	Stator set	
79	131073	Motor body	
80	116752	Brush holder set	
81	131076	Brush	
82	131075	Brush	
83	131952	Rubber bush	
84	330291	Bearing 60002ZP63LDS18	
85	131064	Protective washer	
86	130960	Fan	
87	131294	Labyrinth gasket	
88	172441	Armature set	
90	131300	Protective assembly	
92	131028	Compensating washer	
93	330634	Bearing 6203 2RSR FA177/INA	
94	330352	O-ring 80X28	
95	330602	Bearing HK1012	
96	131023	Bearing cover	
97	361439	Screw J2-M4x 20	
98	112915	Spacer washer	
103	131316	Casing set	
104	116757	Rubber bush	
105	170508	Electronic block	
106	131079	Switch	
107	361360	Screw K 4X9,5 TORX 20	
108	256500	Cord clamp	
109	120724	Cord protector	
(1)	110	153314	Cord with a plug
(2)	110	158913	Cord with a plug RAL 3020
111	131094	Couple brush cover set	
112	131098	Light conductor	
113	360780	Screw F2-M4x8	
114	361409	Screw K5X45 TORX 20	
115	131106	Plate	
116	361437	Screw J2-M4x14	
117	131103	Insert	
118	131099	Clamp	
(1)	119	131107	Front handle set
(2)	119	178551	Front handle set
120	146376	Handle AVR M8/L30	
121	360195	Bolt D1-M8X40	
122	111028	Butterfly bolt	
123	131224	Depth gauge	
124	131108	Console	
125	131109	Plate for limiter	
126	131110	Stretching plate	
127	131111	Base clamp	
128	361328	Screw K4x18 TORX 20	
130	131287	Tube of oil	
131	169847	First service pack	
132	172908	Second service pack	
133	172909	Third service pack	
134	170108	Trigger	
*	135	330739	Circlip B30-2B
**	135	331260	Circlip B30
201	141067	Operating instruction	
202	172494	Tool case	
***	204	179864	Grease Liver T-0 - 1,00 kg.
****	204	178672	Grease G34-130 - 1,00 kg.

Note: *- from 01.02.2008;**- from 01.09.2008;***- till- 09.09.2010 ****- from 09.09.2010

(1) - only for BP 750CE PROFESSIONAL;

(2) - only for BP 750CE HD PROFESSIONAL



**BP 750CE
BP 750CE HD**