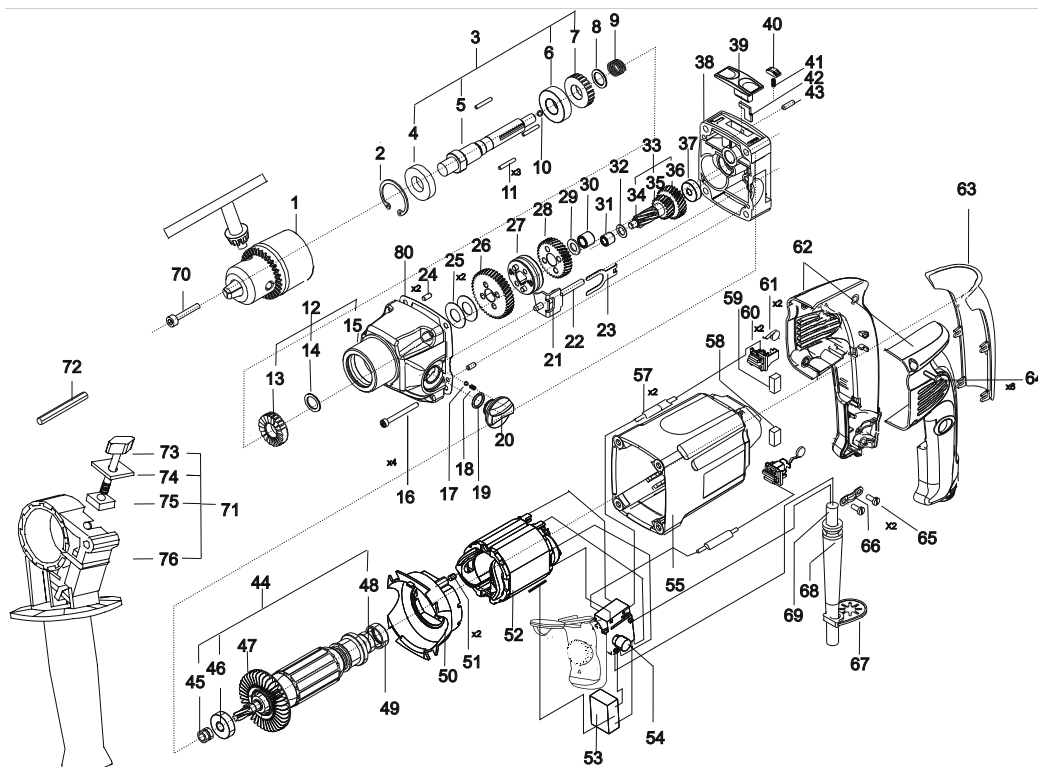


PROFESSIONAL, HD PROFESSIONAL
BU2 250 - 170324; BUR2 250E - 170029; BU2 250 - 141991; BUR2 250E - 158987

| POS. No. | Ref.No. | Description | POS. No. | Ref.No. | Description |
|----------|---------------------------------------|-------------------------------------|-----------|------------------------------|--|
| | 1 | 118984 Chuck B13L | (1)(4) | 44 | 151972 Armature set |
| (1)(2) | 2 | 330747 Circlip A32-5DS | | 45 | 130581 Bush |
| (3)(4) | 2 | 890311 Circlip J32x1.2 | (2)(3) | 46 | 330289 Bearing 6092ZP63LDS18 |
| (1)(3) | 3 | 124074 Spindle set | (1)(4) | 46 | 330942 Bearing 609 2RSL P63 LDS18SpA |
| (2)(4) | 3 | 124075 Spindle set | | 47 | 152579 Fan |
| | 4 | 330266 Gasket R15x32x7UEN TREC00150 | | 48 | 330582 Bearing 6262ZP6E LDS18 SKF |
| | 5 | 124077 Spindle | | 49 | 129087 Elastic sleeve |
| | 6 | 330014 Bearing 6002-2Z | | 50 | 151969 Diffuser |
| | 7 | 119185 Hammer bush | | 51 | 151947 Claming pin |
| | 8 | 140005 Washer | | 52 | 151982 Stator set |
| | 9 | 119022 Spring | (1)(4) | 53 | 152856 Capacitor |
| 10 | 330074 Pellet 5-200 | | (2)(3) | 53 | 152377 Capacitor set |
| 11 | 330267 Needle for bearing B3x19.8 G | | (2)(3) | 54 | 173350 Switch Defond DGQ 1112-HE |
| 12 | 151960 Gear box set | | (1)(4) | 54 | 173348 Switch Defond DGQ 1106HOHBR |
| 13 | 119187 Hammer bush | | | 55 | 152837 Body |
| 14 | 115958 Spacer washer | | (1)(2)(3) | 57 | 151196 Choke |
| 15 | 151953 Gear box | | (4) | 57 | 153323 Choke 7uH,6A,250V |
| 16 | 361409 Screw K5X45 TORX 20 | | | 58 | 153057 Brush with a switch |
| 17 | 330073 Pellet 3.5-200 | | | 59 | 153056 Brush |
| 18 | 130580 Spring | | | 60 | 151971 Brush holder set |
| 19 | 330339 O-ring 2-11x2-2 | | | 61 | 254364 Spiral spring |
| 20 | 170022 Gear switch | | | 62 | 151966 Casing handle set |
| 21 | 151959 Switching plate | | | 63 | 154354 Insert |
| 22 | 122440 Axle | | | 64 | 361425 Screw K4X16 TORX 20 |
| 23 | 122444 Locking panel | | | 65 | 361360 Screw K 4X9.5 TORX 20 |
| 24 | 115865 Pin | | | 66 | 256500 Cord clamp |
| 25 | 117848 Spacer washer | | | 67 | 114292 Key holder |
| 26 | 122427 Spindle gear I | | | 68 | 206687 Cord protector |
| 27 | 124078 Clutch set | | (1)(2) | 69 | 116549 Cord with a plug |
| 28 | 122434 Spindle gear II | | (3)(4) | 69 | 158698 Cord with a plug euro plug RAL 3020 |
| 29 | 122435 Spacer washer | | (1) | 70 | 360582 Screw M6LHX30-8.8 |
| 30 | 330233 Bearing HK0810RS | | | 71 | 121152 Handle set |
| 31 | 330119 Bearing HK0609 | | | 72 | 121134 Depth gauge |
| 32 | 140033 Spacer washer | | | 73 | 121306 Butterfly screw set |
| 33 | 122436 Gear shaft set | | | 74 | 271221 Plate |
| 34 | 122437 Gear shaft | | | 75 | 114032 Nut M6 |
| 35 | 122438 Spindle gear II for Gear shaft | | | 76 | 121133 Handle |
| 36 | 122439 Large intermediate gear | | | 80 | 151958 Gasket |
| 37 | 330017 Bearing 626 | | 201 | 141408 Operating instruction | |
| 38 | 151955 Bearing shield | | 202 | 141406 Packaging | |
| 39 | 170033 Slide | | 204 | 179860 Grease 2 - 1,00 kg. | |
| 40 | 119814 Fixing bit | | | | |
| 41 | 130580 Spring | | | | |
| 42 | 116831 Plate | | | | |
| 43 | 116884 Pin | | | | |
| (3)(2) | 44 | 152849 Armature set | | | |

Note:
 (1) - only for BU2 250;(2) - only for BUR2 250E
 (3) - only for BU2 250 HD PROFESSIONAL;
 (4) - only for BUR2 250E HD PROFESSIONAL



BU2 250
BUR2 250E
BU2 250 HD
BUR2 250E HD