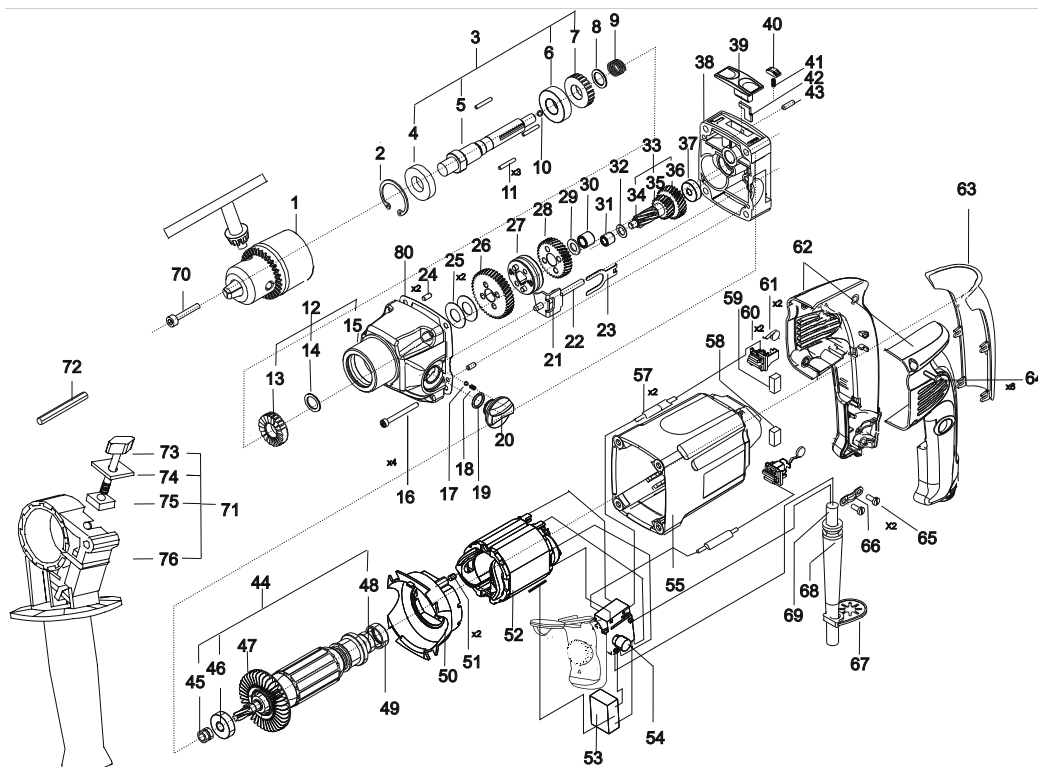


PROFESSIONAL, HD PROFESSIONAL
BU2 250 - 170324; BUR2 250E - 170029; BU2 250 - 141991; BUR2 250E - 158987

POS. No.	Ref.No.	Description	POS. No.	Ref.No.	Description
	1	118984 Chuck B13L	(1)(4)	44	151972 Armature set
(1)(2)	2	330747 Circlip A32-5DS		45	130581 Bush
(3)(4)	2	890311 Circlip J32x1.2	(2)(3)	46	330289 Bearing 6092ZP63LDS18
(1)(3)	3	124074 Spindle set	(1)(4)	46	330942 Bearing 609 2RSL P63 LDS18SpA
(2)(4)	3	124075 Spindle set		47	152579 Fan
	4	330266 Gasket R15x32x7UEN TRECO00150		48	330582 Bearing 6262ZP6E LDS18 SKF
	5	124077 Spindle		49	129087 Elastic sleeve
	6	330014 Bearing 6002-2Z		50	151969 Diffuser
	7	119185 Hammer bush		51	151947 Claming pin
	8	140005 Washer		52	151982 Stator set
	9	119022 Spring	(1)(4)	53	152856 Capacitor
	10	330074 Pellet 5-200	(2)(3)	53	152377 Capacitor set
	11	330267 Needle for bearing B3x19.8 G	(2)(3)	54	173350 Switch Defond DGQ 1112-HE
	12	151960 Gear box set	(1)(4)	54	173348 Switch Defond DGQ 1106HOHBR
	13	119187 Hammer bush		55	152837 Body
	14	115958 Spacer washer	(1)(2)(3)	57	151196 Choke
	15	151953 Gear box	(4)	57	153323 Choke 7uH,6A,250V
	16	361409 Screw K5X45 TORX 20		58	153057 Brush with a switch
	17	330073 Pellet 3.5-200		59	153056 Brush
	18	130580 Spring		60	151971 Brush holder set
	19	330339 O-ring 2-11x2-2		61	254364 Spiral spring
	20	170022 Gear switch		62	151966 Casing handle set
	21	151959 Switching plate		63	154354 Insert
	22	122440 Axle		64	361425 Screw K4X16 TORX 20
	23	122444 Locking panel		65	361360 Screw K 4X9.5 TORX 20
	24	115865 Pin		66	256500 Cord clamp
	25	117848 Spacer washer		67	114292 Key holder
	26	122427 Spindle gear I		68	206687 Cord protector
	27	124078 Clutch set	(1)(2)	69	116549 Cord with a plug
	28	122434 Spindle gear II	(3)(4)	69	158698 Cord with a plug euro plug RAL 3020
	29	122435 Spacer washer	(1)	70	360582 Screw M6LHX30-8.8
	30	330233 Bearing HK0810RS		71	121152 Handle set
	31	330119 Bearing HK0609		72	121134 Depth gauge
	32	140033 Spacer washer		73	121306 Butterfly screw set
	33	122436 Gear shaft set		74	271221 Plate
	34	122437 Gear shaft		75	114032 Nut M6
	35	122438 Spindle gear II for Gear shaft		76	121133 Handle
	36	122439 Large intermediate gear		80	151958 Gasket
	37	330017 Bearing 626	201	141408 Operating instruction	
	38	151955 Bearing shield	202	141406 Packaging	
	39	170033 Slide	204	179860 Grease 2 - 1,00 kg.	
	40	119814 Fixing bit			
	41	130580 Spring			
	42	116831 Plate			
	43	116884 Pin			
(3)(2)	44	152849 Armature set			

Note:
 (1) - only for BU2 250;(2) - only for BUR2 250E
 (3) - only for BU2 250 HD PROFESSIONAL;
 (4) - only for BUR2 250E HD PROFESSIONAL



BU2 250
BUR2 250E
BU2 250 HD
BUR2 250E HD