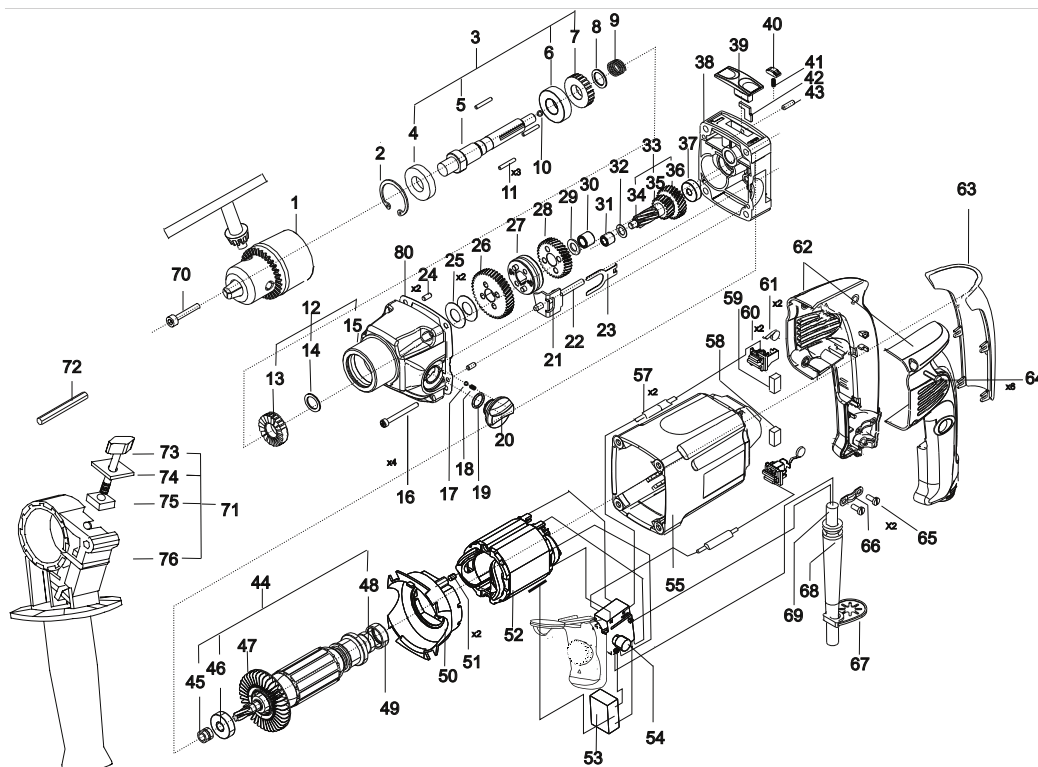


PROFESSIONAL, HD PROFESSIONAL
BU2 250 - 170324; BUR2 250E - 170029; BU2 250 - 141991; BUR2 250E - 158987

POS. No.	Ref.No.	Description	POS. No.	Ref.No.	Description
	1	118984 Chuck B13L	(1)(4)	44	151972 Armature set
(1)(2)	2	330747 Circlip A32-5DS	45	130581 Bush	
(3)(4)	2	890311 Circlip J32x1.2	(2)(3)	46	330289 Bearing 6092ZP63LDS18
(1)(3)	3	124074 Spindle set	(1)(4)	46	330942 Bearing 609 2RSL P63 LDS18SpA
(2)(4)	3	124075 Spindle set	47	152579 Fan	
	4	330266 Gasket R15x32x7UEN TREC00150	48	330582 Bearing 6262ZP6E LDS18 SKF	
	5	124077 Spindle	49	129087 Elastic sleeve	
	6	330014 Bearing 6002-2Z	50	151969 Diffuser	
	7	119185 Hammer bush	51	151947 Claming pin	
	8	140005 Washer	52	151982 Stator set	
	9	119022 Spring	(1)(4)	53	152856 Capacitor
10	330074 Pellet 5-200		(2)(3)	53	152377 Capacitor set
11	330267 Needle for bearing B3x19.8 G		(2)(3)	54	173350 Switch Defond DGQ 1112-HE
12	151960 Gear box set		(1)(4)	54	173348 Switch Defond DGQ 1106HOHBR
13	119187 Hammer bush		55	152837 Body	
14	115958 Spacer washer		(1)(2)(3)	57	151196 Choke
15	151953 Gear box		(4)	57	153323 Choke 7uH,6A,250V
16	361409 Screw K5X45 TORX 20		58	153057 Brush with a switch	
17	330073 Pellet 3.5-200		59	153056 Brush	
18	130580 Spring		60	151971 Brush holder set	
19	330339 O-ring 2-11x2-2		61	254364 Spiral spring	
20	170022 Gear switch		62	151966 Casing handle set	
21	151959 Switching plate		63	154354 Insert	
22	122440 Axle		64	361425 Screw K4X16 TORX 20	
23	122444 Locking panel		65	361360 Screw K 4X9.5 TORX 20	
24	115865 Pin		66	256500 Cord clamp	
25	117848 Spacer washer		67	114292 Key holder	
26	122427 Spindle gear I		68	206687 Cord protector	
27	124078 Clutch set		(1)(2)	69	116549 Cord with a plug
28	122434 Spindle gear II		(3)(4)	69	158698 Cord with a plug euro plug RAL 3020
29	122435 Spacer washer		(1)	70	360582 Screw M6LHX30-8.8
30	330233 Bearing HK0810RS		71	121152 Handle set	
31	330119 Bearing HK0609		72	121134 Depth gauge	
32	140033 Spacer washer		73	121306 Butterfly screw set	
33	122436 Gear shaft set		74	271221 Plate	
34	122437 Gear shaft		75	114032 Nut M6	
35	122438 Spindle gear II for Gear shaft		76	121133 Handle	
36	122439 Large intermediate gear		80	151958 Gasket	
37	330017 Bearing 626		201	141408 Operating instruction	
38	151955 Bearing shield		202	141406 Packaging	
39	170033 Slide		204	179860 Grease 2 - 1,00 kg.	
40	119814 Fixing bit				
41	130580 Spring				
42	116831 Plate				
43	116884 Pin				
(3)(2)	44	152849 Armature set			

Note:
 (1) - only for BU2 250;(2) - only for BUR2 250E
 (3) - only for BU2 250 HD PROFESSIONAL;
 (4) - only for BUR2 250E HD PROFESSIONAL



BU2 250
BUR2 250E
BU2 250 HD
BUR2 250E HD