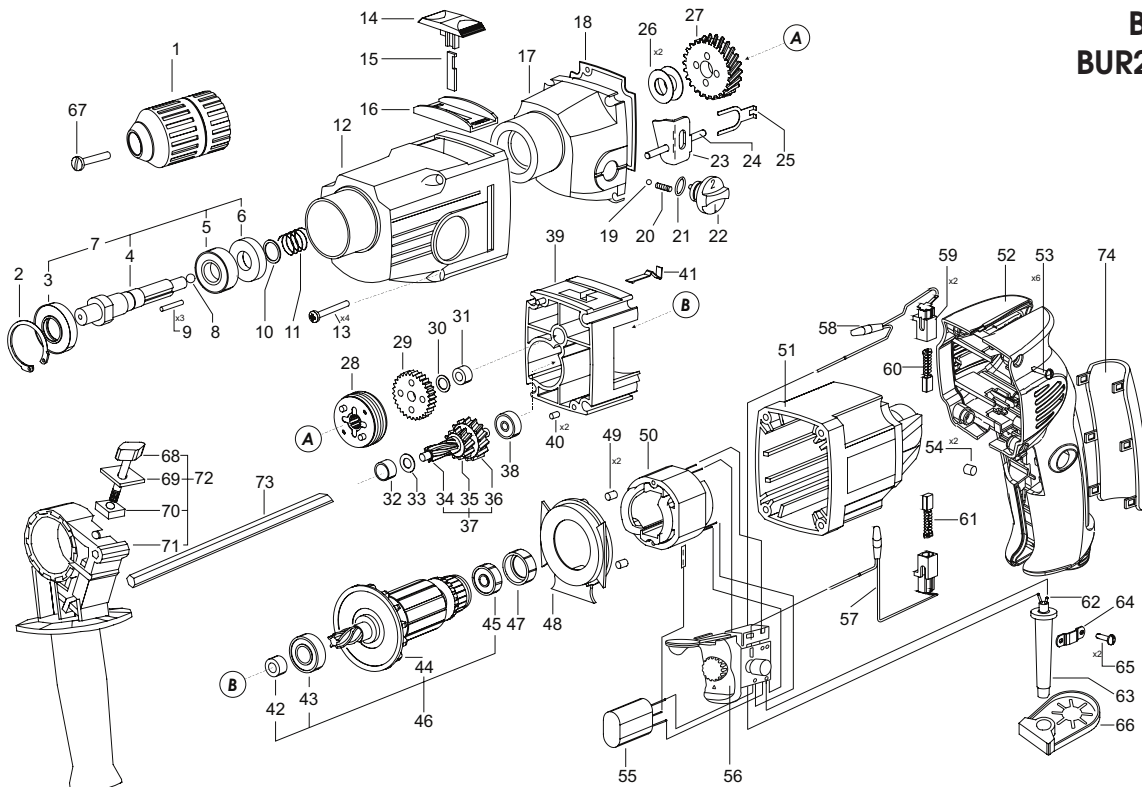


**PROFESSIONAL, HD PROFESSIONAL  
BUR2 200E - 170452; BUR2 200E - 158985**

POS. No.	Ref.No.	Description	POS. No.	Ref.No.	Description
1	118984	Chuck B13L	45	330287	Bearing 627-2ZP6LDS18
2	890311	Circlip J32x1,2	46	150299	Armature set
3	330266	Gasket R15x32x7UEN TREC00150	47	164934	Rubber bush
4	124077	Spindle	48	122828	Diffuser
5	330014	Bearing 6002-2Z	49	239974	Claming pin
6	119185	Hammer bush	50	123216	Stator set
7	124075	Spindle set	51	150301	Body
8	330074	Pellet 5-200	* 52	123513	Handle
9	330267	Needle for bearing B3x19.8 G	** 52	153674	Casing handle set
10	140005	Washer	53	360654	Screw K4x18 TORX 20
11	119022	Spring	54	272960	Claming pin
12	122445	Gear box cover	* 55	117515	Capacitor set
13	151371	Screw AK 5x64x20	** 55	152856	Capacitor
14	170023	Slide	** 56	173348	Switch Defond DGQ 1106HOHBR
15	118884	Support panel	* 57	114867	Brush holder set
16	122449	Insert	** 57	153745	Brush holder 10uH,3A,250V
17	128561	Gear box set	* 58	114866	Brush holder set
18	122446	Gasket	** 58	153744	Brush holder 10uH,3A,250V
19	330073	Pellet 3.5-200	59	271678	Brush holder bush
20	130580	Spring	60	154137	Brush
21	330339	O-ring 2-11x2-2	61	154138	Brush with a switch
22	170022	Gear switch	(1) * 62	114138	Cord with a plug
23	122441	Switching plate	(1)** 62	116549	Cord with a plug
24	122440	Axle	(2) 62	158698	Cord with a plug euro plug RAL 3020
25	122444	Locking panel	63	206687	Cord protector
26	117848	Spacer washer	64	256500	Cord clamp
27	122427	Spindle gear I	65	360646	Screw K 4X9.5 TORX 20
28	124078	Clutch set	66	114292	Key holder
29	122434	Spindle gear II	67	360582	Screw M6LHX30-8.8
30	122435	Spacer washer	68	121306	Butterfly screw set
31	330233	Bearing HK0810RS	69	271221	Plate
32	330314	Bearing BK0609	70	114032	Nut M6
33	140033	Spacer washer	71	121133	Handle
34	122437	Gear shaft	72	121152	Handle set
35	122438	Spindle gear II for Gear shaft	73	121134	Depth gauge
36	122439	Large intermediate gear	** 74	128006	Insert
37	122436	Gear shaft set	201	141410	Operating instruction
38	330017	Bearing 626	202	141409	Packaging
39	122447	Bearing shield	204	179860	Grease 2 - 1,00 kg.
40	115865	Pin			
41	122452	Spring			
42	130581	Bush			
43	330291	Bearing 60002ZP63LDS18			
44	121852	Fan			

Note:  
\*- till 01.02.2005; \*\*- from 01.02.2005  
(1) - only for BUR2 200E PROFESSIONAL;  
(2) - only for BUR2 200E HD PROFESSIONAL



**BUR2 200E  
BUR2 200E HD**