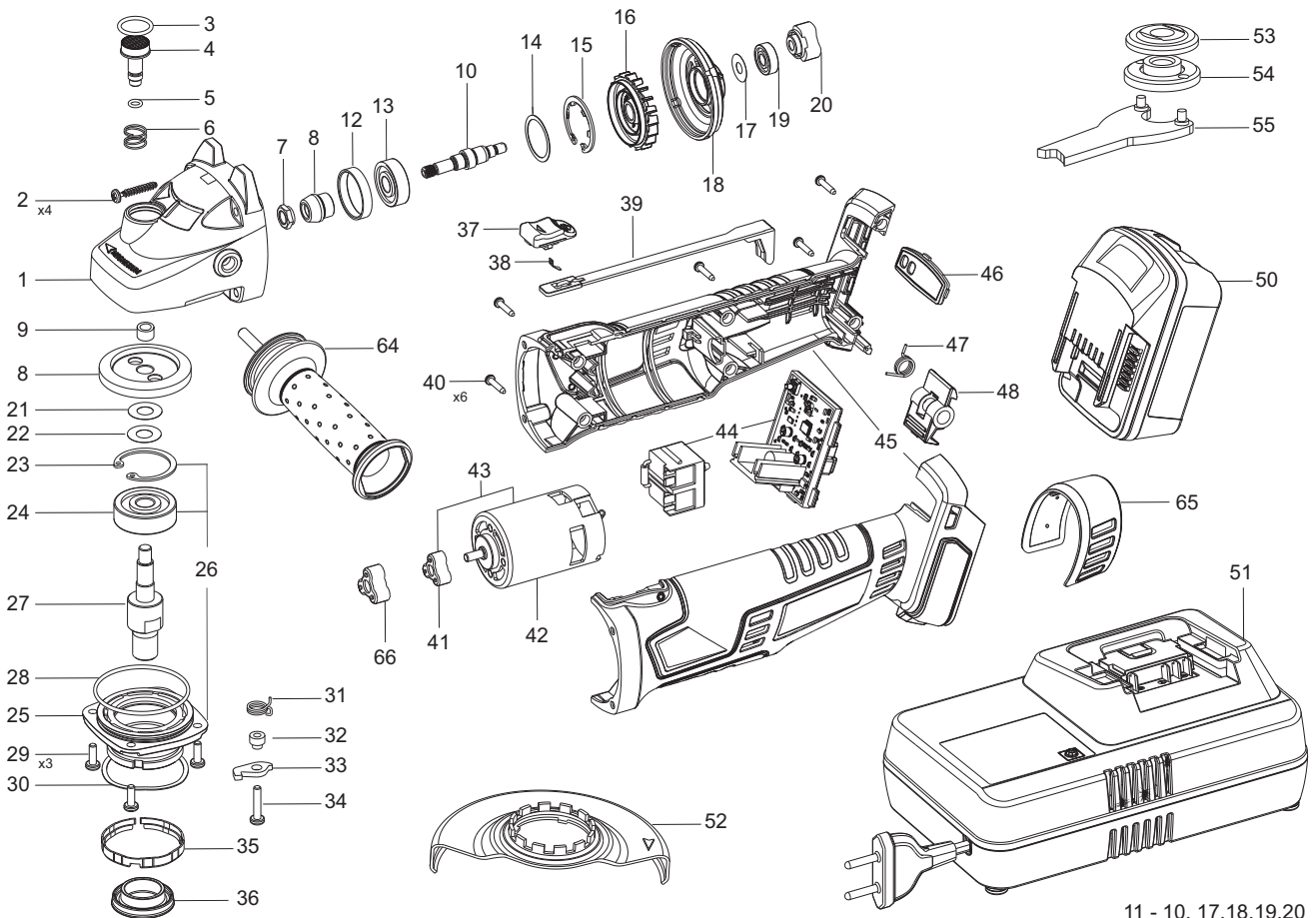


# HD PROFESSIONAL

## M 18Li HD - 142622

POS. No.	Ref.No.	Description	POS. No.	Ref.No.	Description
1	145783	Gear box HD	29	361131	Screw H2-M4x12
2	361468	Screw K4x22 TORX 20	30	177346	Spring
3	330335	O-ring 16X2B	31	177347	Spring
4	145789	Lock button	32	177344	Bush
5	330704	O-ring 5x1,5 NBR 70	33	146755	Lock lever
6	115165	Spring	34	361189	Screw H2-M4X20
7	152767	Nut M 7x1	35	142061	Circlip S
8	146760	Gear set I=1.952	36	146774	Labyrinth Washer
9	933756	Bearing HK0709	37	157301	Button
10	142771	Shaft	38	157990	Spring
11	142784	Shaft set	39	142624	Guiding switch lever
12	156478	Rubber bush	40	361303	Screw
13	331437	Bearing 629 2RSL P63 LDS 18SpA	41	142626	Rivet 2
14	156480	Inner Flange	42	142786	Motor MABUCHI RT-8B7WA
15	154796	Circlip SPARKY 30	43	142789	Motor set
16	142629	Fan	44	142790	PCB+switch set
17	154261	Oil - churning bush	45	142773	Casing set SPARKY
18	142628	Shield - Diffuser	46	142679	Screen
19	331233	Bearing 607 2RSL P63 LDS18SpA	47	142775	Spring
20	142625	Rivet 1	48	142685	Lock button
21	117798	Spacer washer	50	142718	Battery pack ass'y BL 1840
22	117799	Spacer washer	51	159927	Charger.ass'y/ CH 18-3
23	330732	Circlip A35-1D	52	146759	Guard Φ125 T20/HD/1,5
24	331669	Bearing 6202-2RSL (15x35x11)	53	121838	Locking nut
25	145785	Bearing bed HD	54	121837	Back up disc washer
26	145786	Bearing bed set HD	64	146375	Handle AVR M8/L10
27	117788	Spindle	65	142776	Filter, foam
28	330847	O-ring 48x2.0 NBR 70	66	142627	Rivet

## M 18Li HD



11 - 10, 17, 18, 19, 20