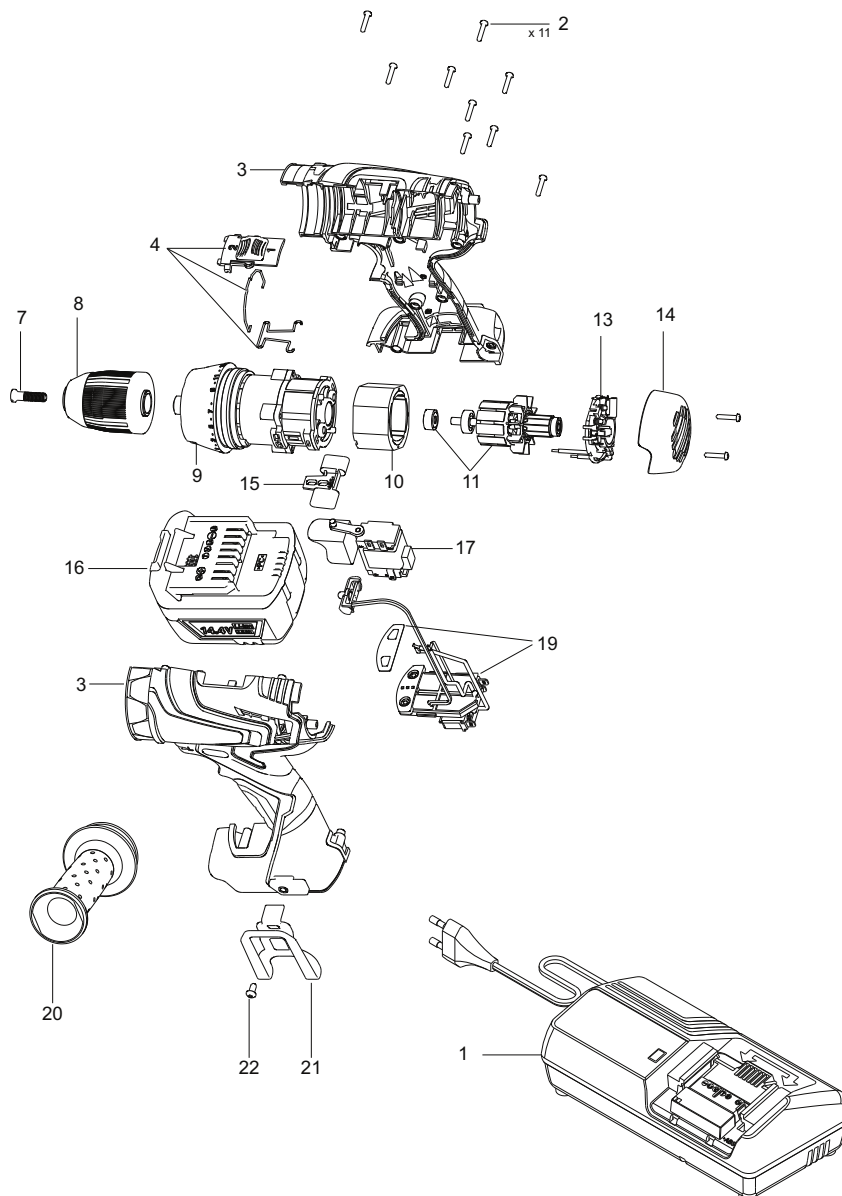


HD PROFESSIONAL BUR2 15Li - 184687; BUR2 18Li - 184688

POS. No.	Ref.No.	Description	POS. No.	Ref.No.	Description					
	1	184696		16	184690	Charger.ass'y/EU (12-18V/1,5-3Ah)Li	(1)	16	184690	Battery pack ass'y 1,5Ah 14.4VLi
	1	184950		16	184693	Charger.ass'y/UK (12-18V/1,5-3Ah)Li	(2)	16	184693	Battery pack ass'y 1,5Ah 14.4VLi
	2	185070		16	184691	Pan HD tap screw (M3x16)	(1)	16	184691	Battery pack ass'y 2,6Ah 14.4VLi
(1)	3	185095		16	184694	Housing ass'y	(2)	16	184694	Battery pack ass'y 2,6Ah 14.4VLi
(2)	3	185112		17	185109	Housing ass'y		17	185109	Switch
	4	185096		(1)	19	Shiff knob ass'y	(1)	19	185110	PCM(D) ass'y(DDH-1441L-2S)
	7	185099		(2)	19	Special screw (M6x24,5)	(2)	19	185115	PCM(D) ass'y(DDH-1801L-2S)
	8	185100		20	185108	Keyless chuck (13mm,1/2)		20	185108	Side handle ass'y BUR2 15Li_18Li
	9	185101		21	185174	Gear box ass'y		21	185174	Belt clip
	10	185102		22	185175	Stator ass'y		22	185175	Screw
(1)	11	185104		204	179860	ARMATURE ASS'Y		204	179860	Grease 2 - 1,00 kg.
(2)	11	185113				A/R ASS'Y (18V)				
	13	185105				Brush holder ass'y				
	14	185106				Housing cap ass'y				
	15	185107				Reverse knob				

Note:
(1) - only for BUR2 15Li; (2) - only for BUR2 18Li



**BUR2 15Li
BUR2 18Li**